

Series 4, Heat pump tumble dryer, 8 kg WTH84001GB



A+



Optional accessories

WMZ20600	Wool in basket - accessory
WTZ11400	Stacking kit with pull-out shelf
WTZ20410	Stacking kit
WTZPW20D	Platform with pull-out, dryer, cubic

- **Auto Dry:** automatically dries to the exact level of dryness you want.
- **Anti Vibration Design:** stable and quiet thanks to special vibration protection.
- **A climate friendly dryer with the most environmentally friendly cooling agent (R290).**
- **Easy-to-use LED display with touch control and many additional functions like start delay and remaining time.**
- **Sensitive Drying System:** for gentle drying without any creases.

Technical Data

Installation type:	Freestanding
Removable work top:	No
Door hinge:	Right
Length of electrical supply cord:	179.5 cm
Height of removable worktop:	0 mm
Dimensions:	842 x 598 x 613 mm
Net weight:	46.6 kg
Fluorinated greenhouse gases:	No
Type of refrigerant:	R290
Hermetically sealed equipment:	Yes
EAN code:	4242005393800
Connection rating:	600 W
Fuse protection:	10 A
Voltage:	220-240 V
Frequency:	50 Hz
Capacity:	8.0 kg
Energy efficiency rating:	A+
Energy consumption electric dryer, full load - NEW (2010/30/EC):	2.18 kWh
Standard cotton programme time at full load:	226 min
Energy consumption electric dryer, partial load - NEW (2010/30/EC):	1.28 kWh
Standard cotton programme time at partial load:	137 min
Weighted annual energy consumption, electric dryer - NEW (2010/30/EC):	270.0 kWh/annum
Weighted programme time:	175 min
Average condensation efficiency full load (%):	81 %
Average condensation efficiency partial load (%):	81 %
Weighted condensation efficiency (%):	81 %



Series 4, Heat pump tumble dryer, 8 kg WTH84001GB

Performance

- Energy Efficiency Class¹: A+
- Energy²: 270 kWh
- Capacity: 1 - 8 kg
- Programme time³: 226 min
- Noise level: 65 dB (A) re 1 pW
- Condensation efficiency class⁴: B
- Condensation efficiency⁵: 81 %

Programmes/functions

- Standard programmes: cotton, easy care
- Special programmes: Mixed Load, Towels, Time prog. 30 min. cold, Time prog. 30 min. warm, Sportswear, Down, Super Quick 40, Shirts/blouses

Key features

- Anti crease cycle 120 min at the end of the programme
- Touch control buttons: start/pause, Reduced ironing, fine-tuning for drying level, 24 h, end Time Delay

Additional features

- EasyClean filter
- Fully electronic control dial for sensor programmes and timed programmes
- Fully electronic control dial for sensor drying, including timed and special programmes
- LED Display for remaining time and 24 hours time delay, programme status indication, special functions
- Sensitive drying: large stainless steel drum with textile care and revolution drying system
- AntiVibration design: for greater stability and quietness
- No
- Container for condensed water
- Full container tank indicator
- Warning for fluff filter and condensed water container
- no
- Child lock
- Buzzer to indicate the end of cycle
- P-door Plastic, white
- pull-open latch
- Door hinge: right-hand
- Metal door catch

Technical Information

- slide-under installation
- Dimensions (H x W): 84.2 cm x 59.8 cm
- Appliance depth: 61.3 cm
- Appliance depth incl. door: 65.1 cm
- Appliance depth with open door: 108.3 cm
- Heat pump technology with climate friendly cooling agent

¹ At a range of energy efficiency classes from A+++ to D

² Energy consumption kWh per year, based on 160 drying cycles of the standard cotton programme at full and partial load, and the consumption of the low power modes

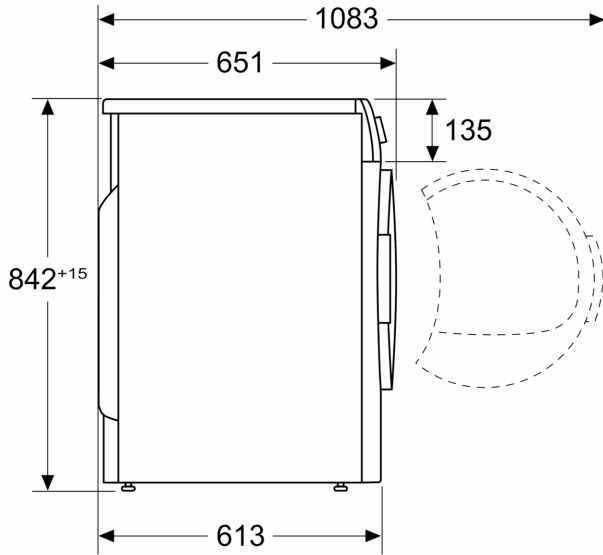
³ Programme time of the standard cotton programme at full load

⁴ On a condensation efficiency class scale from A to G

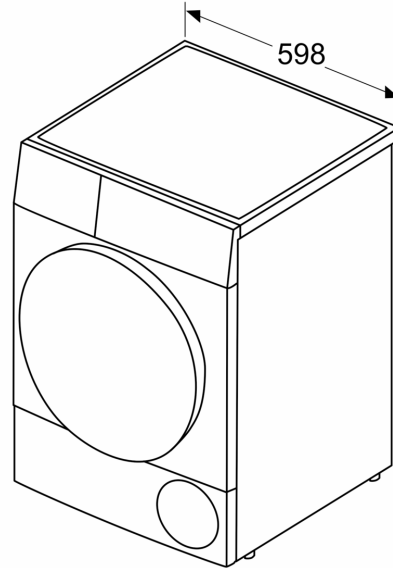
⁵ Weighted condensation efficiency for the standard cotton programme at full and partial load

**Series 4, Heat pump tumble dryer, 8
kg
WTH84001GB**

Measurements in mm



Measurements in mm



Measurements in mm

