

**Series 4, Heat pump tumble dryer, 8 kg
WTH8400GB**



Optional accessories

WTZ11400 : Stacking kit with pull-out shelf
WTZ20410 : Stacking kit

- **Auto Dry:** automatically dries to the exact level of dryness you want.
- **Anti Vibration Design:** stable and quiet thanks to special vibration protection.
- Easy-to-use LED display with touch control and many additional functions like start delay and remaining time.
- **Sensitive Drying System:** for gentle drying without any creases.
- **SensitiveDrying System:** the unique drum structure protects and delivers a drying performance without creases.

Technical Data

Construction type : Free-standing
Removable work top : No
Door hinge : Right
Length of electrical supply cord : 145.0 cm
Height of removable worktop : 0 mm
Dimensions : 842 x 598 x 613 mm
Net weight : 46.5 kg
Fluorinated greenhouse gases : No
Type of refrigerant : R290
Hermetically sealed equipment : Yes
The quantity expressed in CO2 equivalent : 0.000 t
EAN code : 4242005186228
Connection rating : 600 W
Fuse protection : 10 A
Voltage : 220-240 V
Frequency : 50 Hz
Capacity cotton - NEW (2010/30/EC) : 8.0 kg
Energy efficiency rating : A+
Energy consumption electric dryer, full load - NEW (2010/30/EC) : 2.18 kWh
Standard cotton programme time at full load : 226 min
Energy consumption electric dryer, partial load - NEW (2010/30/EC) : 1.28 kWh
Standard cotton programme time at partial load : 137 min
Weighted annual energy consumption, electric dryer - NEW (2010/30/EC) : 270.0 kWh/a
Weighted programme time : 175 min
Average condensation efficiency full load (%) : 81 %
Average condensation efficiency partial load (%) : 81 %
Weighted condensation efficiency (%) : 81 %



Series 4, Heat pump tumble dryer, 8 kg WTH8400GB

Performance

Programmes/functions

- Fully electronic control dial for sensor drying, including timed and special programmes
- Special programmes: Mixed Load, Towels, Time prog. 30 min. cold, Time prog. 30 min. warm, Sportswear, Down, Super Quick 40, Shirts/blouses
- Touch control buttons: start/pause, Reduced ironing, fine-tuning for drying level, 24 h, end Time Delay

Key features

- Sensitive drying: large stainless steel drum with textile care and revolution drying system
- AntiVibration design: for greater stability and quietness

Additional features

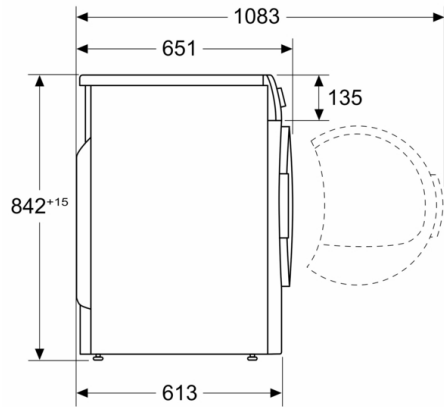
- LED Display for remaining time and 24 hours time delay, programme status indication, special functions
- Anti crease cycle 120 min at the end of the programme
- Warning for fluff filter and condensed water container
- Full container tank indicator
- EasyClean filter
- Child lock
- Buzzer to indicate the end of cycle
- Container for condensed water
- Metal door catch

Technical Information

- slide-under installation
- Dimensions (H X W X D): 84.2 x 59.8 x 65.1 cm
- Door hinge: right-hand

**Series 4, Heat pump tumble dryer, 8 kg
WTH8400GB**

Measurements in mm



Measurements in mm

