

WTD165 WPM 8/5kg

WT1 washer-dryer:

with PerfectCare technology for gentle and efficient laundry care.



- 8 kg wash load and 5 kg drying load – perfect for daily laundry
- Highly precise drying results thanks to PerfectDry
- Our honeycomb drum ensures that laundry stays in perfect condition
- Economical, powerful and no wear and tear – the ProfiEco Motor



EAN: 4002516371861 / Material number: 11576590 / Old Material Number: 11TD1654GB

Construction type	
Suitable for stacking	•
Side-by-side	•
Slot-in	•
Can be built-under	•
Door hinge	right
Model	
Front-loader	•
Washing machine with TD fct.	
Continuous washing and drying cycle	•
Electronic residual moisture sensing	•
Condenser dryers with water cooling	•
Thermospin	•
Spinning	
Max. spin speed	1500
Rinse hold	•
Without spin function	•
Design	
Appliance colour	Lotus white
Control panel colour	Lotus white
Door design	Graphite grey PearlFinish
Rotary selector colour	Lotus White
Control panel version	Straight
Control type	Rotary control
Display	DirectSensor white, 7 segment
Gentle laundry care	
Honeycomb drum	•
Load in kg for washing	8.0
Load in kg when drying	5.0
PerfectCare technology	•
User convenience	
Networking with Miele@home	•
Delay start up to 24 hours	•
Time left display	•
Programme sequence indicator	No
Automatic rinse out fluff	•
AutoClean detergent drawer	•
AddLoad	•
Efficiency and sustainability	
Energy efficiency class (A–G)	A
Energy efficiency class for washing and drying (A–G)	D
Weighted energy consumption per 100 operating cycles for the complete operating cycle in kWh	266
Weighted energy consumption per 100 operating cycles for the wash cycle in kWh	47
Weighted water consumption per operating cycle for the wash cycle in l	47
Weighted water consumption per operating cycle for the complete operating cycle in l	68
Spin efficiency class	B

WTD165 WPM 8/5kg

WT1 washer-dryer:

with PerfectCare technology for gentle and efficient laundry care.



EAN: 4002516371861 / Material number: 11576590 / Old Material Number: 11TD1654GB

Acoustic airborne noise emission class (spin cycle)	A
Sound emissions during spin cycle in dB(A) re 1 pW	71
Programme running time at nominal capacity for the wash cycle	219
Programme running time at nominal capacity for the complete operating cycle	389
Power rating in off mode in W	0.30
Power rating in networked standby in W	0.70
Low temperature wash "Cold" and "20 °C"	•
Automatic load control	•
Flow meter	•
Foam sensing	•
ProfiEco motor	•
Wash programmes	
Cottons (coloureds)	•
Minimum iron	•
Shirts	•
Woollens (hand-washable)	•
Express	•
Dark garments / Denim	•
Cottons Arrow	•
ECO 40-60	•
Drying programmes	
Cottons (coloureds)	•
Cottons arrow	•
Minimum iron	•
Delicates	•
Shirts	•
Woollens	•
Express	•
Dark garments / Denim	•
Warm air	•
Drying extras	
Anti-crease	•
Low temperature	•
Washing extras	
Short	•
Quality	
Counterweights made of cast iron	•
Safety	
Water protection system	Waterproof-Metal
Safety lock	•
PIN-Code	•
Technical data	
Dimensions in mm (width)	596
Dimensions in mm (height)	850
Dimensions in mm (depth)	637
Appliance depth in mm with opened door	1055
Weight in kg	95
Total rated load in kW	2.10-2.40
Voltage in V	220-240

WTD165 WPM 8/5kg

WT1 washer-dryer:

with PerfectCare technology for gentle and efficient laundry care.



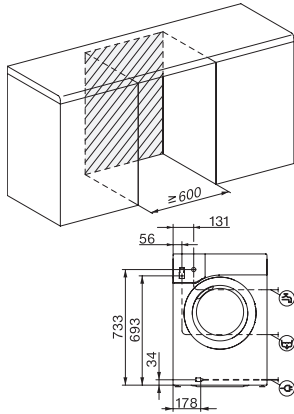
EAN: 4002516371861 / Material number: 11576590 / Old Material Number: 11TD1654GB

Fuse rating in A	13
Frequency in Hz	50
Length of supply lead in m	2

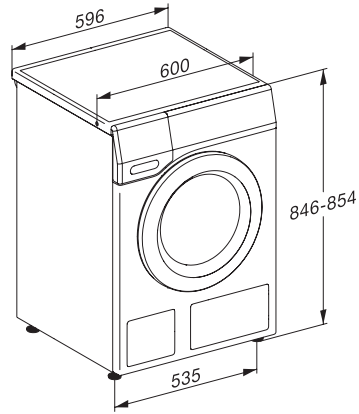
WTD165 WPM 8/5kg

WT1 washer-dryer:

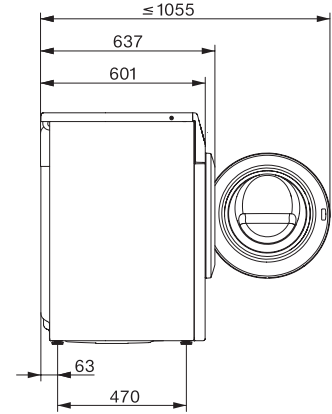
with PerfectCare technology for gentle and efficient laundry care.



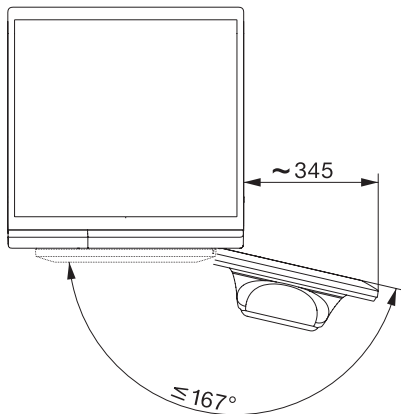
WT1 8/5 kg, installation drawing, slanted fascia or straight fascia, measures in mm



WT1 8/5 kg, drawing, slanted fascia or straight fascia, measures in mm



WT1 8/5 kg, drawing, slanted fascia or straight fascia, measures in mm



WT1 8/5 kg, drawing, slanted fascia or straight fascia, measures in mm