

WEB685 WCS 125 Edition
W1 front-loader washing machine
with A -10 %, SteamCare and TwinDos for excellent laundry care.



- Tested for 20 years of perfect laundry care
- Save even more energy with A -10 %*
- SteamCare reduces ironing time by up to 50 % and freshens up your clothes
- Precise and automatic detergent dispensing with TwinDos®
- Miele@home – clever networking opens up new possibilities**

* 10 % more economical than the threshold value (52) for energy efficiency class A

** Additional digital offer from Miele & Cie. KG. All smart applications are made possible with the Miele@home system. The range of functions can vary depending on the model and the country.



EAN: 4002516789116 / Material number: 12518650 / Old Material Number: 11EB6851GB

| | |
|--|-------------------------------|
| Anniversary promotion | |
| Anniversary models 125 | • |
| Construction type | |
| Suitable for stacking | • |
| Side-by-side | • |
| Slot-in | • |
| Can be built-under | • |
| Door hinge | right |
| Model | |
| Product brand | W1 Chrome Edition |
| Front-loader | • |
| Spinning | |
| Max. spin speed | 1400 |
| Rinse hold | • |
| Without spin function | • |
| Design | |
| Appliance colour | Lotus white |
| Control panel colour | Lotus white |
| Door design | Graphite grey PearlFinish |
| Rotary selector colour | Lotus White |
| Control panel version | Straight |
| Control type | Rotary control |
| Display | DirectSensor white, 7 segment |
| Cleaning performance | |
| TwinDos automatic detergent dispensing | • |
| CapDosing portioned dispensing | • |
| Gentle laundry care | |
| Honeycomb drum | • |
| Load in kg | 8.0 |
| User convenience | |
| Networking with Miele@home | • |
| SteamCare steam system | • |
| Delay start up to 24 hours | • |
| Time left display | • |
| AutoClean detergent drawer | • |
| AddLoad | • |
| Efficiency and sustainability | |
| Energy efficiency class (A–G) | A |
| More economical than the threshold value (52) for energy efficiency class A | 10% |
| Weighted energy consumption per 100 operating cycles for the wash cycle in kWh | 43 |
| Weighted water consumption per cycle in l | 48 |
| Spin efficiency class | B |
| Acoustic airborne noise emission class (spin cycle) | A |
| Sound emissions during spin cycle in dB(A) re 1 pW | 72 |
| Duration of the “ECO 40–60” programme at nominal capacity | 219 |
| Power rating in off mode in W | 0.30 |
| Power rating in networked standby in W | 0.60 |

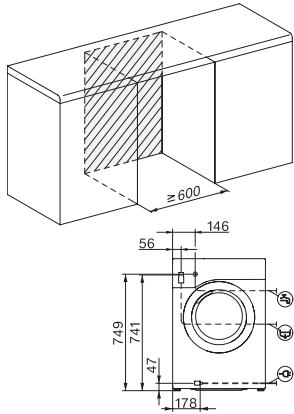
WEB685 WCS 125 Edition
 W1 front-loader washing machine
 with A -10 %, SteamCare and TwinDos for excellent laundry care.



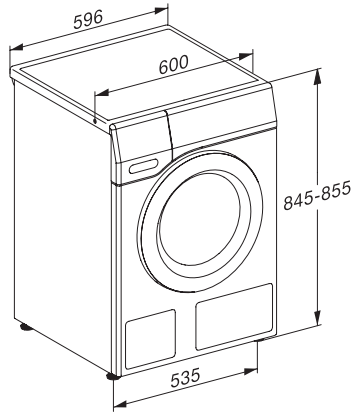
EAN: 4002516789116 / Material number: 12518650 / Old Material Number: 11EB6851GB

| | |
|---|---------------------|
| Low temperature wash "Cold" and "20 °C" | • |
| Flow meter | • |
| Foam sensing | • |
| ProfiEco motor | • |
| Wash programmes | |
| Cottons (coloureds) | • |
| Cottons with pre-wash | • |
| Minimum iron | • |
| Delicates | • |
| Shirts | • |
| Woollens (hand-washable) | • |
| Express 20 | • |
| Dark garments / Denim | • |
| Freshen up (steam) | • |
| Drain / Spin | • |
| ECO 40-60 | • |
| Washing extras | |
| Short | • |
| Steam smoothing | • |
| Pre-ironing with steam | • |
| Buzzer | • |
| Safety | |
| Water protection system | Watercontrol-System |
| Safety lock | • |
| PIN-Code | • |
| Optical interface | • |
| Technical data | |
| Dimensions in mm (width) | 596 |
| Dimensions in mm (height) | 850 |
| Dimensions in mm (depth) | 636 |
| Appliance depth in mm with opened door | 1054 |
| Appliance depth excluding door (for building-under) in mm | 600 |
| Weight in kg | 80 |
| Total rated load in kW | 2.10-2.40 |
| Voltage in V | 220-240 |
| Fuse rating in A | 10 |
| Frequency in Hz | 50 |
| Length of supply lead in m | 2 |
| Accessories included | |
| UltraPhase 1 + 2 | • |
| Voucher for 5 Miele UltraPhase cartridges | • |

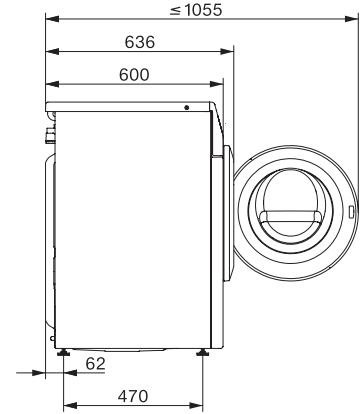
WEB685 WCS 125 Edition
W1 front-loader washing machine
with A -10 %, SteamCare and TwinDos for excellent laundry care.



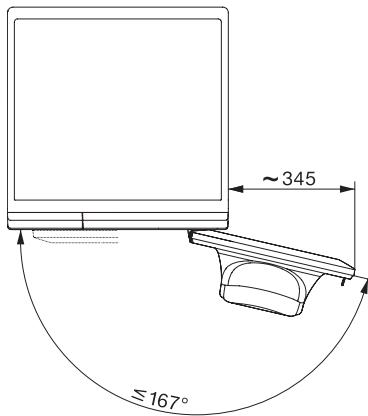
W1 installation drawing, slanted fascia or straight fascia, measures in mm



W1 drawing, slanted fascia or straight fascia, measures in mm



W1 drawing, slanted fascia or straight fascia, measures in mm



W1 drawing, slanted fascia or straight fascia, measures in mm