

**Series 4, Washing machine, front loader, 8 kg, 1400 rpm
WAN28281GB**



Automatic washing machine with EcoSilence Drive™: quiet operation and durability that you can rely on.

- **EcoSilence Drive™:** quiet and energy-efficient drive, with a 10-year warranty.
- **AllergyPlus:** developed for allergy sufferers and people with sensitive skin.
- **SpeedPerfect:** perfectly clean in up to 65% less time*.
- **ActiveWater Plus:** For highly efficient use of water even with smaller loads thanks to automatic load detection.
- **Easy-to-use LED display with touch control and many additional functions like start delay and remaining time.**

Technical Data

Energy Efficiency Class:	C
Weighted energy consumption in kWh per 100 washing cycles of eco 40-60 programme:	63 kWh
Maximum capacity in kg:	8.0 kg
The water consumption of the eco programme in liters per cycle: 48 l	
Duration of eco 40-60 programme in hours and mins at rated capacity:	3:35 h
Spin-drying efficiency class of eco 40-60 programme:	B
Airborne acoustical noise emission class:	B
Airborne acoustical noise emissions :	74 dB(A) re 1 pW
Installation type:	Freestanding
Height of removable worktop:	-2 mm
Dimensions of the product:	848 x 598 x 550 mm
Net weight:	68.5 kg
Connection rating:	2300 W
Fuse protection:	10 A
Voltage:	220-240 V
Length of electrical supply cord:	210.0 cm
Door hinge:	Left
Wheels:	No
EAN code:	4242005221776
Installation type:	Free-standing

Optional accessories

- WMZ2200 Floor securing component
- WMZ2381 Extension for cold water inlet /Aquastop
- WMZPW20W Platform with pull-out, washer, cubic



Series 4, Washing machine, front loader, 8 kg, 1400 rpm WAN28281GB

Automatic washing machine with EcoSilence Drive™: quiet operation and durability that you can rely on.

40-60)

³ Weighted water consumption in litres per cycle (in programme Eco 40-60)

⁴ Duration of Eco 40-60 programme

** Values are rounded.

Performance

- Energy Efficiency Class¹: C
- Energy² / Water³: 63 kWh / 48 litres
- Load capacity: 1 - 8 kg
- Programme duration⁴: 3:35 h:min
- Spin drying efficiency class: B
- Spin speed^{**}: 400 - 1400 rpm
- Noise level: 74 dB (A) re 1 pW
- Noise efficiency class: B

Programmes/functions

- Touch control buttons: Prewash, Rinse Plus, Ready in, Temperature selection, SpeedPerfect, start/pause with reload function, Spin speed reduction
- Standard programmes: cottons, easy care, delicates, wool hand wash
- Special programmes: Rinse, Dark Wash, Shirts, Sportswear, Mixed Load, Allergy +, Super Quick 15/30, Quiet Wash, Wool/Handwash, Delicate/Silk programme
- Safeguard monitoring system adjusts load distribution and programme settings to protect clothes

Key features

- Fully electronic control dial for all wash and special programmes
- SpeedPerfect: perfectly clean in up to 65% less time.
- Reload function: Flexibility to add or remove laundry items of any size even after start of the wash cycle.
- EcoSilence drive with 10 year warranty
- AntiVibration Design - for more stability and quietness

Additional features

- Large display for programme progress indication, spin speed, remaining time, 24 hour end time delay and load recommendation.
- Aqua Protection
- Foam detection system
- Divider for Liquid Detergent
- Child lock
- Buzzer to indicate the end of cycle

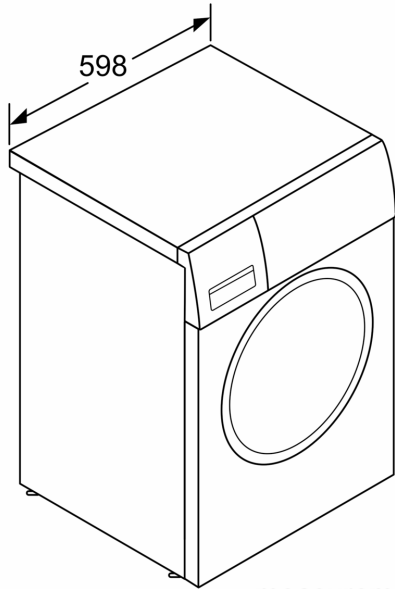
Technical Information

- Slide-under installation
- Drum volume: 55 litres
- Large silver-white door with 180° opening
- Dimensions (H x W): 84.8 cm x 59.8 cm
- Appliance depth: 55.0 cm
- Appliance depth incl. door: 60.0 cm
- Appliance depth with open door: 101.7 cm

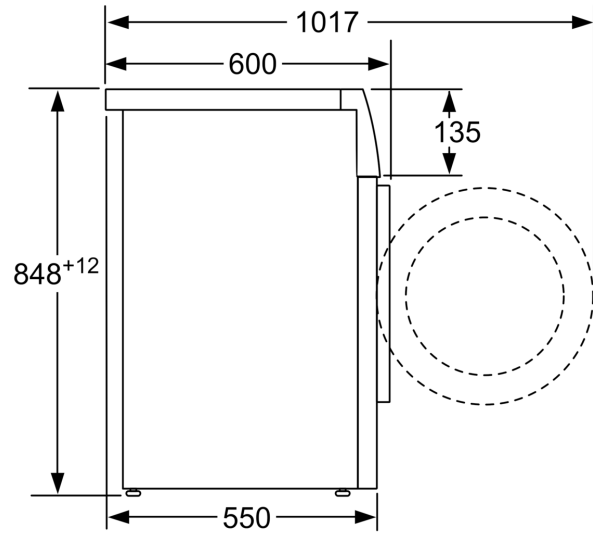
¹ Scale of Energy Efficiency Classes from A to G

² Energy consumption in kWh per 100 cycles (in programme Eco

**Series 4, Washing machine, front loader, 8 kg, 1400 rpm
WAN28281GB**



measurements in mm



measurements in mm