

**Series 4, Washing machine, front loader, 8 kg, 1400 rpm  
WAN28250GB**



**Automatic washing machine with EcoSilence Drive™: quiet operation and durability that you can rely on.**

- **Best energy class A:** save energy with the most efficient class A.
- **ActiveWater Plus:** For highly efficient use of water even with smaller loads thanks to automatic load detection.
- **SpeedPerfect:** perfectly clean in up to 65% less time\*.
- **Reload function:** forgot an item? Add it easily to the wash.
- **EcoSilence Drive™:** quiet and energy-efficient drive, with a 10-year warranty.

**Technical Data**

Energy Efficiency Class:	..... A
Weighted energy consumption in kWh per 100 washing cycles of eco 40-60 programme:	..... 46 kWh
Maximum capacity in kg:	..... 8.0 kg
The water consumption of the eco programme in liters per cycle:	47 l
Duration of eco 40-60 programme in hours and mins at rated capacity:	..... 3:33 h
Spin-drying efficiency class of eco 40-60 programme:	..... B
Airborne acoustical noise emission class:	..... A
Airborne acoustical noise emissions :	..... 71 dB(A) re 1 pW
Installation type:	..... Freestanding
Height of removable worktop:	..... 0 mm
Dimensions of the product:	..... 848 x 598 x 590 mm
Net weight:	..... 71.0 kg
Connection rating:	..... 2300 W
Fuse protection:	..... 10 A
Voltage:	..... 220-240 V
Length of electrical supply cord:	..... 210.0 cm
Door hinge:	..... Left
Wheels:	..... No
EAN code:	..... 4242005371754
Installation type:	..... Free-standing

**Optional accessories**

- WMZ2200 Floor securing component
- WMZ2381 Extension for cold water inlet /Aquastop



## Series 4, Washing machine, front loader, 8 kg, 1400 rpm WAN28250GB

### Automatic washing machine with EcoSilence Drive™: quiet operation and durability that you can rely on.

#### Performance

- Energy Efficiency Class<sup>1</sup>: A
- Energy<sup>2</sup> / Water<sup>3</sup>: 46 kWh / 47 litres
- Load capacity: 1 - 8 kg
- Programme duration<sup>4</sup>: 3:33 h:min
- Spin drying efficiency class: B
- Spin speed<sup>\*\*</sup>: 400 - 1400 rpm
- Noise level: 71 dB (A) re 1 pW
- Noise efficiency class: A

#### Programmes/functions

- Standard programmes: cottons, easy care, delicates, wool hand wash
- Special programmes: Down Wear, Outdoor, Shirts, Mixed Load, Super Quick 15/30, Drum clean with reminder, jeans/dark laundry, Wool/Handwash, Delicate/Silk programme

#### Key features

- SpeedPerfect: perfectly clean in up to 65% less time. \*\*\*
- Touch control buttons: Prewash, Reduced Ironing option, Ready in, Temperature selection, SpeedPerfect, start/pause with reload function, Spin speed reduction

#### Additional features

- Reload function: Flexibility to add or remove laundry items of any size even after start of the wash cycle.
- Large display for programme progress indication, spin speed, remaining time, 24 hour end time delay and load recommendation.
- Drum volume: 63 litres
- Aqua Protection
- Fully electronic control dial for all wash and special programmes
- AntiVibration Design - for more stability and quietness
- EcoSilence drive with 10 year warranty
- EcoSilence drive with 10 year warranty
- ActiveWater Plus: for highly efficient use of water even with smaller loads thanks to automatic load detection.
- Foam detection system
- Safeguard monitoring system adjusts load distribution and programme settings to protect clothes
- No
- Buzzer to indicate the end of cycle
- Child lock
- Divider for Liquid Detergent
- Large silver-white door with 171° opening
- Metal door catch
- Reload facility

#### Technical Information

- Slide-under installation
- Dimensions (H x W): 84.8 cm x 59.8 cm

- Appliance depth: 59.0 cm
- Appliance depth incl. door: 63.2 cm
- Appliance depth with open door: 106.3 cm

<sup>1</sup> Scale of Energy Efficiency Classes from A to G

<sup>2</sup> Energy consumption in kWh per 100 cycles (in programme Eco 40-60)

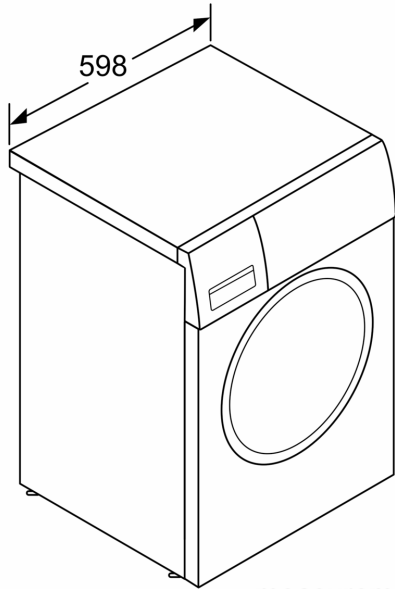
<sup>3</sup> Weighted water consumption in litres per cycle (in programme Eco 40-60)

<sup>4</sup> Duration of Eco 40-60 programme

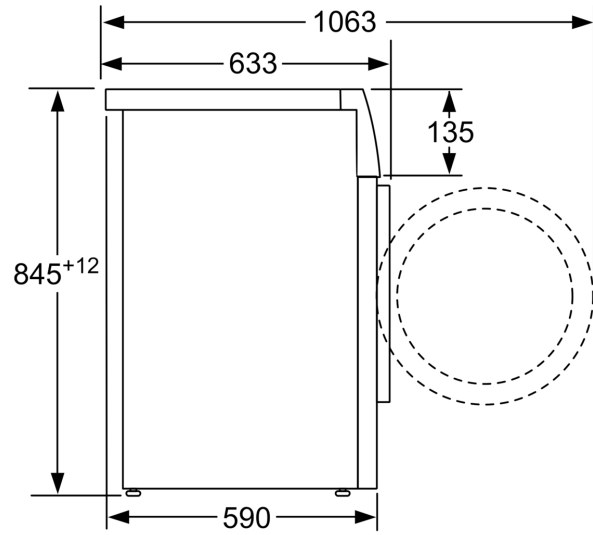
\*\* Values are rounded.

\*\*\* Comparison between the program duration of Easy-care 40°C and the program duration of Easy-care 40°C + activated Speed option

**Series 4, Washing machine, front loader, 8 kg, 1400 rpm  
WAN28250GB**



measurements in mm



measurements in mm