

## PRODUCT FICHE


**Washing machine**  
**741664**  
**W6098X.S.UK/1**
**USP :**

Product group	<b>Washing Machine</b>
Image	
Auto	<b>Yes</b>
Stain	<b>Yes</b>
Time program	<b>Yes</b>
Heavy	<b>Yes</b>
Wool/hand wash	<b>Wool/hand program</b>
Rinse	<b>Yes</b>
Spin	<b>Yes</b>
Drain	<b>Yes</b>
Drum cleaning	<b>Yes</b>
High water level	<b>Yes</b>
Extra rinsing	<b>Yes</b>
Delayed Start	<b>Yes</b>
Spin speed	<b>1800 rpm</b>
Quattro Construction™ - vibration-free spinning	<b>Yes</b>
Remaining time indication	<b>Yes</b>
Unbalance detection - protects the washer against harmful vibrations.	<b>Yes</b>
Anti Block™ - Self cleaning drain pump.	<b>Yes</b>
AquaStop	<b>Pex inlet hose</b>

**Basic information :**

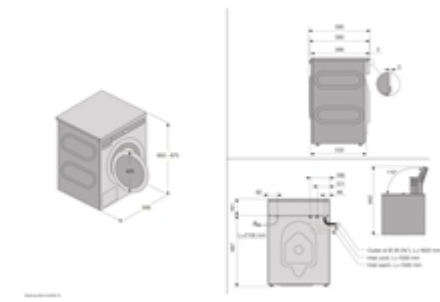
Brand	<b>ASKO</b>
Product name / Family	<b>Washing machine</b>
Commercial code	<b>W6098X.S.UK/1</b>
Internal article number	<b>741664</b>
EAN code	<b>3838782660023</b>
Construction type	<b>Free-standing</b>
Removable top	<b>N/A</b>
Cover door / Double door	<b>Door cover</b>
Loading type	<b>Front loader</b>
Door hinge	<b>Left</b>
Color / Material panel	<b>BK065; Grey metallic / Plastics</b>
Color / Material body	<b>VZ065; Brushed stainless steel / Stainless steel</b>
Connection Rating	<b>2200 W</b>
Current	<b>13,0</b>
Voltage	<b>220-240 V</b>
Frequency	<b>50 Hz</b>
Marks of conformity	<b>CE,SIQ1</b>
Length of electrical supply cord	<b>210 cm</b>
Plug type	<b>GB</b>
Height with worktop	<b>850 mm</b>
Net weight	<b>88,5 Kg</b>
Gross weight	<b>91,7 Kg</b>
Door opening diameter	<b>310 mm</b>
Control mode	<b>Electronic</b>
Adjustable feet	<b>Yes - all</b>
Wheels	<b>No</b>
Maximum adaptability of feet	<b>10 mm</b>
Main colour of product	<b>VZ065; Brushed stainless steel</b>
Product group	<b>Washing machine</b>
Installation type	<b>Free-standing</b>
Basic color of product	<b>Inox</b>
Width	<b>595 mm</b>
Height	<b>850 mm</b>
Depth	<b>585 mm</b>
Width of packed product	<b>640 mm</b>
Height of packed product	<b>920 mm</b>
Depth of packed product	<b>661 mm</b>

**Features :**

Spin speed options	Variable
Skip spin	Yes
Foam control	Yes
Balance control	Yes
Water protection system	Yes
Separate temperature control options	Continuous
Cold wash option	Yes
Digital countdown indicator	No
Start delay options	Continuous
Pre-wash	Yes
Quick wash	No
Wool program	No
Delicates / Silk	No
Water plus	Yes
Door opening	Handle
Tub material	Stainless steel
Drum volume	60 l
Drum material	Stainless steel
Hot & cold water intake	Yes
Automatic programs	Yes
Upgradeable software	No
Short description of the product	WM75.289B5 - W6098X.S.UK/1 - RL_STYL
Wireless capability	No
Interior light	Yes

### Energy label information / Performance :

Energy efficiency class	A
Spin drying performance class	A
Maximum spin speed (rpm)	1800 rpm
Rated capacity (kg)	9,0 Kg
Energy consumption in stand-by mode (W)	0,3 W
Energy consumption Off mode (W)	0,3 W
Built in	No
Energy label applicable	Yes
ECO label	No
Airborne acoustical noise emission class (a) (spinning phase)	C
Airborne acoustical noise emissions in the spinning phase (dB(A) re 1 pW)	77 dB re 1 pW
Rinsing effectiveness (g/kg)	4,3 g/kg
EEl	51,8
Energy consumption in kWh per cycle, based on the eco 40-60 programme. Actual energy consumption will depend on how the appliance is used	0,49 kWh/kg
Water consumption in litre per cycle, based on the eco 40-60 programme. Actual water consumption will depend on how the appliance is used and on the hardness of the water.	49 l/cycle
Spin speed (rpm) [Half]	1800 rpm
Spin speed (rpm) [Quarter]	1800 rpm
Spin speed (rpm) [Rated capacity]	1800 rpm
Remaining moisture content (%) [Half]	43 %
Remaining moisture content (%) [Quarter]	43 %
Remaining moisture content (%) [Rated capacity]	43 %
Maximum temperature inside the treated textile (°C) [Half]	20 °C
Maximum temperature inside the treated textile (°C) [Quarter]	20 °C
Maximum temperature inside the treated textile (°C) [Rated capacity]	38 °C
Programme duration (h:min) [Half]	171
Programme duration (h:min) [Quarter]	171
Programme duration (h:min) [Rated capacity]	210
Energy consumption in delay start (W)	3,26 W
Energy Smart appliance, able to optimise consumption pattern (2017/1369/EU)	No



The eco 40 60 program is a program for washing normally soiled cotton laundry and refers to the data on the energy label and product information sheet and is the most efficient regarding energy and water consumption.