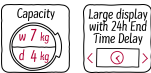


WASHER DRYER, 7/4 KG
V6320X2GB



- √ 7/4 kg load capacity: wash 7 kg, dry 4 kg.
- √ Large LED Display – Large display for easier navigation and wash programme delay of up to 24 hours

Features

Technical Data

Energy Efficiency Class Wash/Dry cycle (Regulation): E
 Energy Efficiency Class Eco 40-60 programme (Regulation): E
 Weighted energy consumption in kWh per 100 full Wash/Dry cycles: 266 kWh
 Weighted energy consumption in kWh per 100 washing cycles of eco 40-60 programme: 77 kWh
 Maximum capacity in kg in a Wash/Dry cycle: 4.0
 Maximum capacity in kg in a wash cycle: 7.0
 The water consumption of the full wash and dry cycle in liters per cycle: 68 l
 The water consumption of the eco programme in liters per cycle: 44 l
 Duration of the full wash and dry cycle in hours and mins at rated capacity: 5:30 h
 Duration of eco 40-60 programme in hours and mins at rated capacity: 2:50 h
 Spin-drying efficiency class of eco 40-60 programme: B
 Airborne acoustical noise emissions : 72 dB(A) re 1 pW
 Airborne acoustical noise emission class: A
 Construction type: Free-standing
 Removable work top: No
 Door hinge: Left
 Length of electrical supply cord: 220.0 cm
 Height of removable worktop: 0 mm
 Dimensions of the product: 820 x 595 x 584 mm
 Net weight: 82.1 kg
 Drum volume: 52 l
 EAN code: 4242004253129

Optional accessories

Z7060X0	Height-adjustable feet
Z7070X0	Accessory
Z7080X0	Accessory



WASHER DRYER, 7/4 KG V6320X2GB

Features

Performance

- Energy Efficiency Class Wash and Dry¹: E
- Energy Efficiency Class Washing²: E
- Energy³ / Water⁴ Wash and Dry: 266 kWh / 68 litres
- Energy⁵ / Water⁶ Washing: 77 kWh / 44 litres
- Load capacity Wash and Dry / Washing: 1 - 4 kg / 1 - 7 kg
- Programme duration⁷ Wash and Dry / Washing: 5:30 h:min / 2:50 h:min
- Spin drying efficiency class: EU19_spin efficiency class: B
- Spin speed^{**}: 600 - 1355 rpm
- Noise level: 72 dB (A) re 1 pW
- Noise efficiency class: A

cycle

** Values are rounded.

Programmes/functions

- Fully electronic control dial for all wash and special programmes
- Special programmes: 30°C, 40°C, Rinsing / Spinning, fluff clean, Drain / Spin, 30°C, Handwash wool, Delicates/silk
- Special programme - drying: fluff removal cycle
- Timed drying programmes
- Buttons: Start, Spin speed reduction, Change, menu, Drying time and 24 hr Time Delay
- Safeguard monitoring system adjusts load distribution

Key features

- Aquatronic wash system

Additional features

- Display for programme progress indication, time remaining and 24 hours time delay
- Automatic load adjustment system
- Foam detection system
- Buzzer to indicate the end of cycle
- Child safety lock
- Metal door catch
- Reload facility

Technical Information

- Fully integratable
- Left hinged door
- Dimensions (H X W X D): 82 x 59.5 x 56 cm
- adjustable base height: 16.5 cm
- adjustable base depth: 6 cm

^{1,2} Scale of Energy Efficiency Classes from A to G

³ Energy consumption in kWh per 100 complete cycles (in Eco 40-60 programme)

⁴ Water consumption in litres per complete cycle (in Eco 40-60 programme)

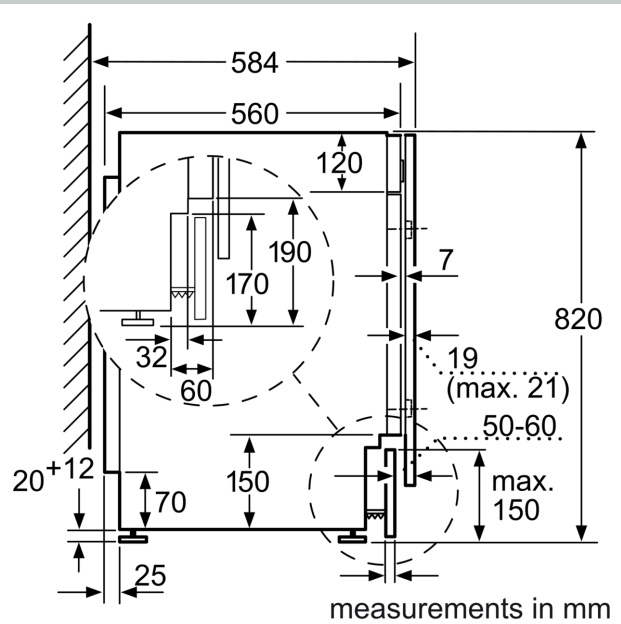
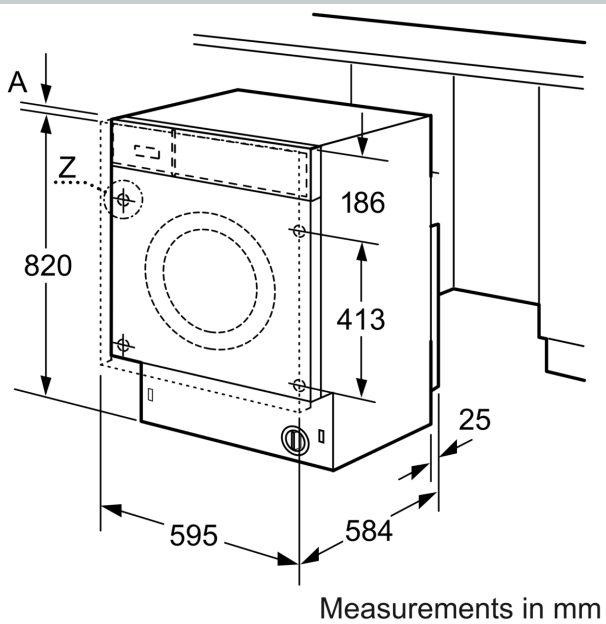
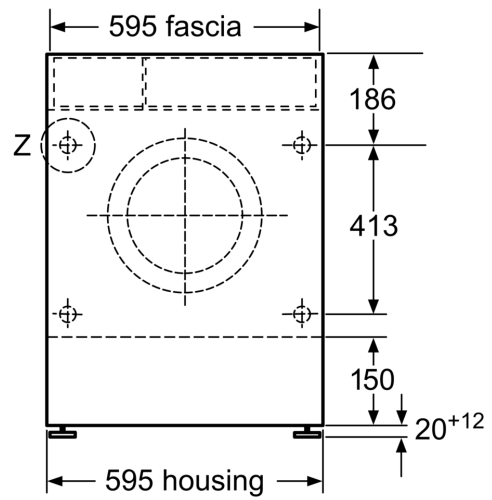
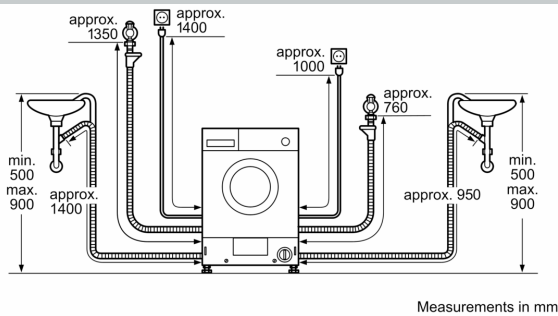
⁵ Energy consumption in kWh per 100 washing cycles (in Eco 40-60 programme)

⁶ Weighted water consumption in litres per washing cycle (in Eco 40-60 programme)

⁷ Duration of Eco 40-60 programme, Wash and Dry cycle / Wash only

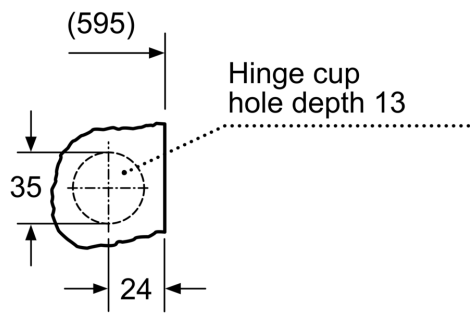
WASHER DRYER, 7/4 KG
U6320X2GB

Dimensioned drawings



Dimensioned drawings

Z detail



Measurements in mm