

TEC665WP 125 Edition
T1 heat-pump dryer:
with A+++ and DryCare 40 for efficient yet gentle drying.



- DryCare 40 – dries almost anything that can be washed at 40 °C
- Faster drying combined with maximum energy efficiency – EcoSpeed
- Miele@home – clever networking opens up new possibilities*
- Savings for the life of your tumble dryer – EcoDry technology
- Fragrant laundry just the way you like it – FragranceDos

* Additional digital offer from Miele & Cie. KG. All smart applications are made possible with the Miele@home system. The range of functions can vary depending on the model and the country.



EAN: 4002516774235 / Material number: 12487820 / Old Material Number: 12EC6652GB

Anniversary promotion	
Anniversary models 125	•
Construction type	
Suitable for stacking	•
Side-by-side	•
Slot-in	•
Can be built-under	•
Door hinge	left
Model	
Product brand	T1 Chrome Edition
Heat pump dryer	•
Design	
Appliance colour	Lotus white
Control panel colour	Lotus white
Door design	White
Rotary selector colour	Lotus White
Control panel version	Straight
Control type	Rotary control
Display	DirectSensor white, 7 segment
Drying results	
PerfectDry precision drying	•
FragranceDos fragrance system	•
Intelligent drum reversal	•
Gentle laundry care	
Honeycomb drum	•
Load in kg	8.0
User convenience	
Networking with Miele@home	•
Wash2Dry	•
Delay start up to 24 hours	•
Time left display	•
Programme sequence indicator	No
Drum lighting	LED
Condensate container	•
Integrated condensed water drainage	•
AddLoad	•
Efficiency and sustainability	
Energy efficiency class (A+++ – D)	A+++
Annual energy consumption in kWh	172
Duration in minutes in the standard programme	170
Noise in the Cottons programme with full load in db(A) re 1 pW	66
Condensation efficiency class	A
Energy consumption in kWh in the Cottons Normal dry standard programme with a full load	1.40
EcoDry technology	•
Maintenance-free heat exchanger	•
ProfiEco motor	•
EcoSpeed	•

TEC665WP 125 Edition
T1 heat-pump dryer:
with A+++ and DryCare 40 for efficient yet gentle drying.



EAN: 4002516774235 / Material number: 12487820 / Old Material Number: 12EC6652GB

Drying programmes	
Cottons (coloureds)	•
Minimum iron	•
Delicates	•
Shirts	•
Woollens handcare	•
Express	•
Proofing	•
Bed linen	•
Warm air/DryFresh	•
Drying extras	
Anti-crease	•
Buzzer	•
DryCare 40	•
Quality	
Soft ribs	•
Safety	
PIN-Code	•
Empty out container indicator	•
Optical interface	•
Technical data	
Dimensions in mm (width)	596
Dimensions in mm (height)	850
Dimensions in mm (depth)	640
Appliance depth in mm with opened door	1054
Weight in kg	55
Total rated load in kW	1.10
Voltage in V	220-240
Fuse rating in A	13
Frequency in Hz	50
Length of supply lead in m	2.0
Hermetically sealed	•
Type of coolant	R290
Refrigerant quantity in kg	0.14
Refrigerant global warming potential in CO ₂ e	3
Appliance global warming potential in CO ₂ e	0.42
Replacing lamps	Service
Accessories included	
Fragrance flacon	•
Voucher for a second fragrance flacon	•

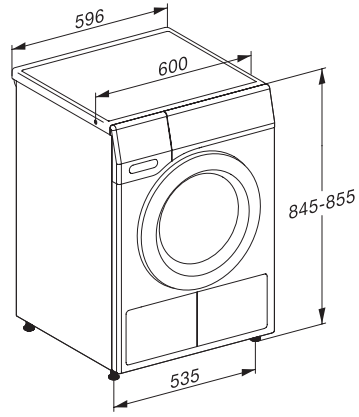
TEC665WP 125 Edition

T1 heat-pump dryer:

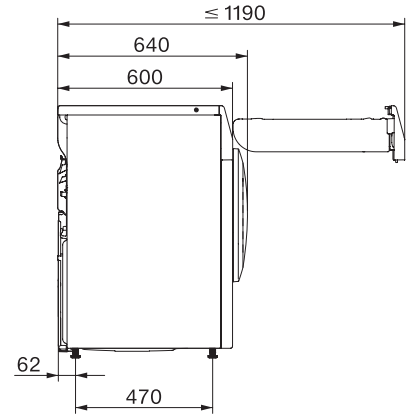
with A+++ and DryCare 40 for efficient yet gentle drying.



T1 installation drawing, slanted facia or straight facia, measures in mm



T1 drawing, slanted facia or straight facia, measures in mm



T1 drawing, slanted facia or straight facia, without porthole, measures in mm



T1 drawing, slanted facia or straight facia, measures in mm