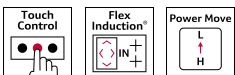


N 70, FLEX INDUCTION COOKTOP, 30 CM, BLACK, T63TDX1L0



Optional accessories

Z9401FF0 Flex Pan, large, Z9401TY0 Teppan Yaki, Z9403FF0 Flex Pan set, 3 pcs., Z9404FF0 Flex Pan set, 4 pcs., Z9404SE0 4 pieces Set, Z9406SE0 6 pieces Set, Z9410ES0 Espresso maker 4 cups, Z9410X1 Stainless Steel roaster with glass lid, Z9415X1 Steaming Rack for Stainless Steel roaster, Z9416X2 Griddle Plate, Z9417X2 Teppan Yaki (large), Z9428FE0 Iron pan Ø 18 / 28 cm, Z943SE0 Set of 2 pots and 1 pan

FlexInduction hob with TouchControl.

- ✓ Touch Control – Control your hob with a simple touch.
- ✓ Flex Induction: flexible cooking zones and automatic cookware detection.
- ✓ Power Move – Just slide your cookware to adjust the temperature.
- ✓ Smart Hood Automatic: the matching hood automatically adjusts to your hob settings while cooking.
- ✓ Power Boost – An extra surge of heat when you need fast results.

Features

Technical Data

Product name/family:Vario/Domino cooking zone cera
 Product name/family:Vario/Domino cooking zone cera
 Construction type: Built-in
 Construction type: Built-in
 Energy input: Electric
 Energy input: Electric
 Number of cooking zones: 2
 Number of cooking zones: 2
 Min. required niche size for installation (HxWxD): 51 x x mm
 Min. required niche size for installation (HxWxD): 51 x x mm
 Width of the appliance: 319 mm
 Width of the appliance: 319 mm
 Dimensions: 51 x 319 x 527 mm
 Dimensions: 51 x 319 x 527 mm
 Dimensions of the packed product (HxWxD): . 120 x 370 x 600 mm
 Dimensions of the packed product (HxWxD): . 120 x 370 x 600 mm
 Net weight: 7.3 kg
 Net weight: 7.3 kg
 Gross weight: 8.5 kg
 Gross weight: 8.5 kg
 Residual heat indicator: Separate
 Residual heat indicator: Separate
 Location of control panel: Front
 Location of control panel: Front
 Basic surface material: Ceramic
 Basic surface material: Ceramic
 Color of surface:Black, Stainless steel
 Color of surface:Black, Stainless steel
 Color of frame:Stainless steel
 Color of frame:Stainless steel
 Length of electrical supply cord: 110.0 cm
 Length of electrical supply cord: 110.0 cm
 EAN code:4242004267614
 EAN code:4242004267614
 Voltage: 220-240 V
 Voltage: 220-240 V
 Frequency:50; 60 Hz
 Frequency:50; 60 Hz



N 70, FLEX INDUCTION COOKTOP, 30 CM, BLACK, T63TDX1L0

Features

- 30 cm: space for 2 pots or pans.

Flexibility of cooking zones

- Flex Induction: use cookware of any shape or size anywhere within the 40cm long zone.
- Cooking zone middle: 200 mm, 210 mm, 2.2 KW (max. power 3.7 KW)
- Cooking zone middle: 200 mm, 210 mm, 2.2 KW (max. power 3.7 KW)

Usage convenience

- TouchControl: directly control the power with imprinted touch bar.
- Variable 17-stage power settings for each zone: precisely adapt the heat with 17 power levels (9 main levels and 8 intermediate levels).
- Keep warm function: Keep Warm Function: keep dishes warm at preset low power level.
- Switch-off timer: switches off the cooking zone at the end of the time set (e.g. for boiled eggs).
- Count-down Timer: an alarm sounds at the end of the time set (e.g. for pasta).

Time saving & efficiency

- Power Boost function for all zones
- : boil water faster thanks to 50% more energy than at the highest standard level.
- Cooking zones will be automatically joined or separated based on the shape and size of the cookware placed.
- PowerMove with 3 levels: increase or decrease the power level simply by moving the pot forwards or backwards.
- QuickStart function: when switching on, the hob automatically selects the cooking zone with cookware (when placed on a zone whilst the hob is off).
- ReStart function: in case of unintentional switch-off, this feature restores all previous settings by switching on the hob again within 4 seconds.
- yes, after software update: hood automatically adapts fan speed thanks to hob continuously providing cooking data (with matching hood and connected Home Connect account).

Design

Safety

- 2 stage residual heat indicators: indicates which cooking zones are still hot or warm.
- Control panel lock: prevent unintended activation of the hob.
- Control panel suspension: wipe overboiled liquids without unintentionally changing settings (blocking all touch buttons for 30 seconds).
- Main switch: switch off all cooking zones at the touch of a button.
- Safety cut out facility: for safety reasons, heating stops after a preset time if not used (possible to customise).
- Energy consumption display: shows the electricity consumption of the last cooking process.

Installation

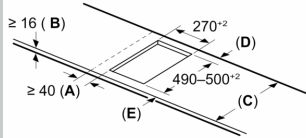
- Dimensions of the product (HxWxD mm): 51 x 319 x 527
- Required niche size for installation (HxWxD mm) : 51 x 270 x (490 - 500)

- Min. worktop thickness: 16 mm
- Connected load: 3.7 KW
- 4.6kW power output (20A); current management options for 16A, 13A or 10A connection: limit the maximum power if needed (depends on fuse protection of electric installation).

N 70, FLEX INDUCTION COOKTOP, 30 CM, BLACK,
T63TDX1L0

Dimensioned drawings

Measurements in mm



A: Min. distance from the hob cut-out to the wall

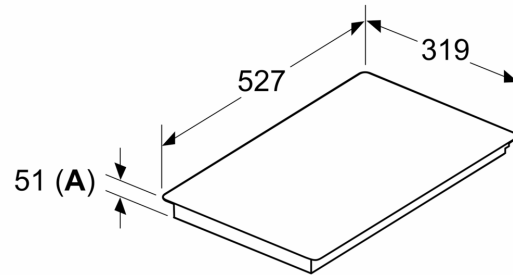
B: The clearance between the surface of the worktop and the top of the front of the oven must be 30 mm

See space requirements for the oven

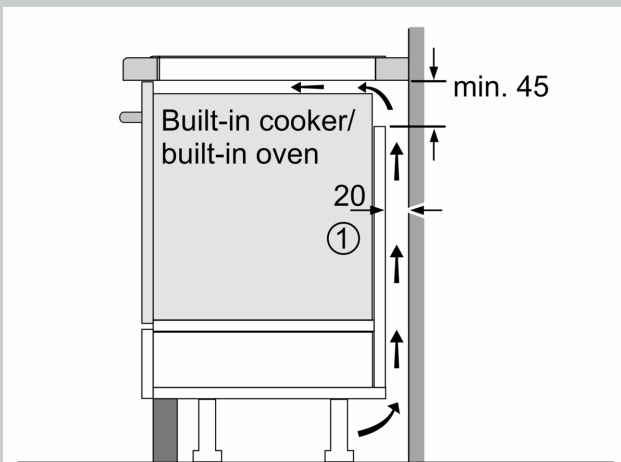
The worktop into which the hob is installed must withstand loads of approx. 60 kg; suitable substructures must be used if required

C	D	E
585-600	50	≥ 35
> 600	≥ 50	≥ 50

Measurements in mm

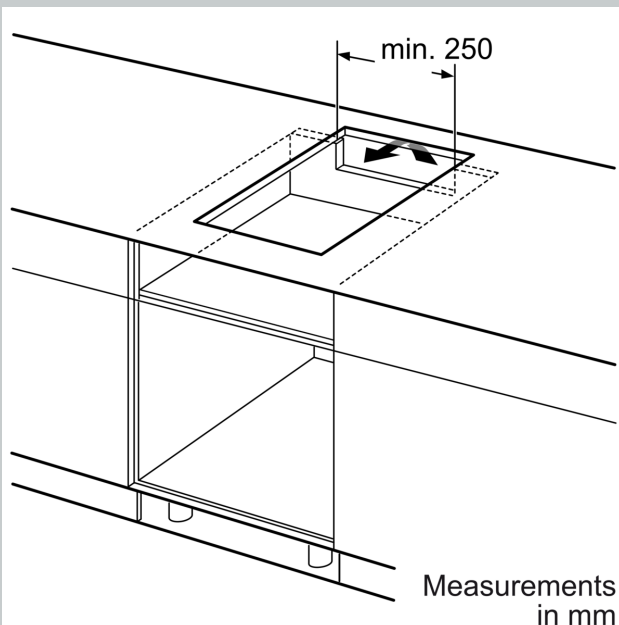


A: Recessed depth

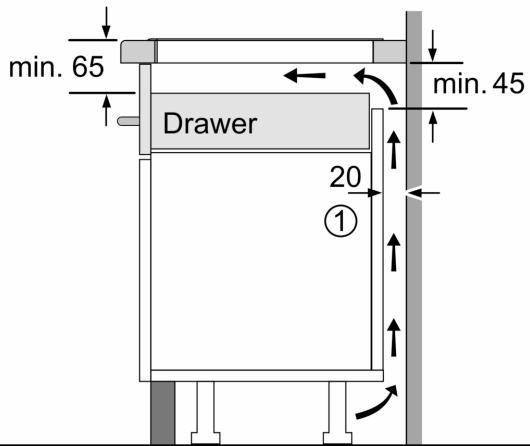


① Ventilation gap must be present

All measurements in mm



Dimensioned drawings



①
Ventilation gap must
be present.

Measurements in mm