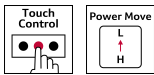
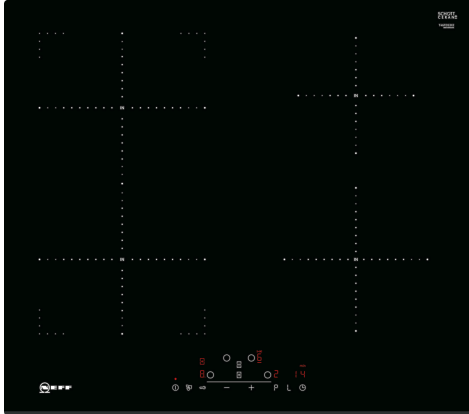


N 70, INDUCTION HOB, 60 CM, BLACK,  
T46FD53X2



Optional accessories

Z9404SE0	4 pieces Set
Z943SE0	Set of 2 pots and 1 pan
Z9406SE0	6 pieces Set
Z9410ES0	Espresso maker 4 cups
Z9428FE0	Iron pan Ø 18 / 28 cm

Induction cooktop with TouchControl.

- ✓ Touch Control – Control your hob with a simple touch.
- ✓ Combi Induction – Merge two circular cooking zones to heat large cookware.
- ✓ Power Move: change the temperature by sliding your cookware.
- ✓ Power Boost – An extra surge of heat when you need fast results.
- ✓ Induction – the heat is generated directly in the cookware for precise cooking that stops when power is off.

Features

Technical Data

Product name/family:	.....	Cooking zone ceramic
Construction type:	.....	Built-in
Energy input:	.....	Electric
Number of cooking zones:	.....	4
Min. required niche size for installation (HxWxD):	..	51 x 560-560 x 490-500 mm
Width of the appliance:	.....	592 mm
Dimensions:	.....	51 x 592 x 522 mm
Dimensions of the packed product (HxWxD):	..	126 x 753 x 608 mm
Net weight:	.....	10.6 kg
Gross weight:	.....	12.8 kg
Residual heat indicator:	.....	Separate
Location of control panel:	.....	Front
Basic surface material:	.....	Ceramic
Color of surface:	.....	Black
Length of electrical supply cord:	.....	110.0 cm
EAN code:	.....	4242004232773
Voltage:	.....	220-240 V
Frequency:	.....	50; 60 Hz



## N 70, INDUCTION HOB, 60 CM, BLACK, T46FD53X2

### Features

#### Design

- Bevelled front edge
- 60 cm: space for 4 pots or pans.

#### Flexibility of cooking zones

- Combi zone
- : use bigger cookware by connecting two classic cooking zones into one large zone.
- Cooking zone front left: 190 mm, 210 mm, 2.2 KW (max. power 3.7 KW)
- Cooking zone rear left: 190 mm, 210 mm, 2.2 KW (max. power 3.7 KW)
- Cooking zone rear right: 145 mm , 1.4 KW (max power 2.2 KW)
- Cooking zone front right: 180 mm, 1.8 KW (max. power 3.1 KW)

#### Usage convenience

- Touch control: control the power with imprinted +/- touch buttons.
- Variable 17-stage power settings for each zone: precisely adapt the heat with 17 power levels (9 main levels and 8 intermediate levels).
- Keep warm function: Keep Warm Function: keep dishes warm at preset low power level.
- Timer with automatic shut off for all zones
- : switches off the cooking zone at the end of the time set (e.g. for boiled eggs).
- LED timer for each zone with switch off function and acoustic signal
- : an alarm sounds at the end of the time set (e.g. for pasta).

#### Time saving & efficiency

- Power Boost function for all zones
- : boil water faster thanks to 50% more energy than at the highest standard level.
- 2-steps: increase or decrease the power level simply by moving the pot forwards or backwards.
- QuickStart function: when switching on, the hob automatically selects the cooking zone with cookware (when placed on a zone whilst the hob is off).
- ReStart function: in case of unintentional switch-off, this feature restores all previous settings by switching on the hob again within 4 seconds.

#### Safety

- 2 stage residual heat indicators: indicates which cooking zones are still hot or warm.
- Control panel lock: prevent unintended activation of the hob.
- Control panel suspension: wipe overboiled liquids without unintentionally changing settings (blocking all touch buttons for 30 seconds).
- Main switch: switch off all cooking zones at the touch of a button.
- Safety cut out facility: for safety reasons, heating stops after a preset time if not used (possible to customise).
- Energy consumption display: shows the electricity consumption of the last cooking process.

#### Installation

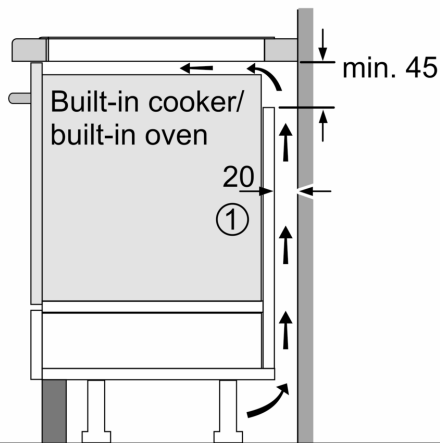
- Dimensions of the product (HxWxD mm): 51 x 592 x 522
- Required niche size for installation (HxWxD mm) : 51 x 560 x (490 -

500)

- Min. worktop thickness: 16 mm
- Connected load: 6.9 KW
- Power cord: 1.1 m, Cable included in packaging

N 70, INDUCTION HOB, 60 CM, BLACK,  
T46FD53X2

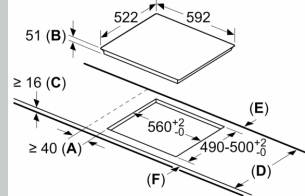
## Dimensioned drawings



①  
Ventilation gap must  
be present

All measurements in mm

measurements in mm



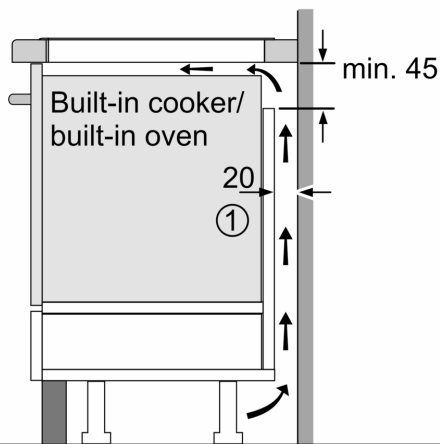
**A:** Minimum distance from the hob cut-out to the wall.

**B:** Recessed depth

**C:** The clearance between the surface of the worktop and the top of the front of the oven must be 30 mm. See space requirements for the oven.

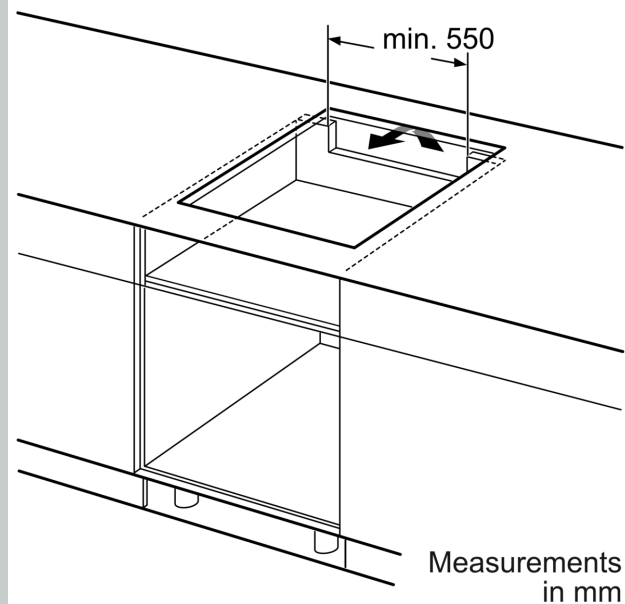
The worktop into which the hob is installed must withstand loads of approx. 60 kg; suitable substructures must be used if required.

D	E	F
585-600	50	≥ 35
> 600	≥ 50	≥ 50



①  
Ventilation gap must  
be present

All measurements in mm



Dimensioned drawings

