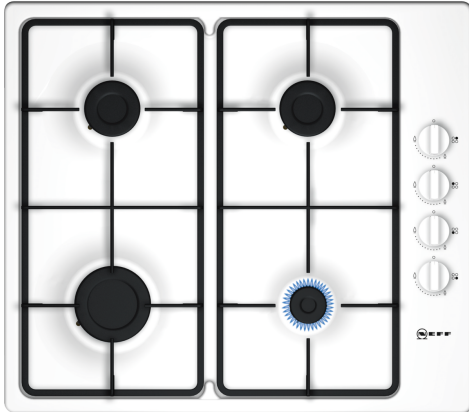


N 30, GAS HOB, 60 CM, WHITE
T26BR46W0



Optional accessories

Z2480X0	Simmer plate
Z32SE10X0	Small pot support

Gas hob with side-mounted controls.

- ✓ Pan Supports - continuous cast-iron finish pan supports for maximum stability and cooking convenience.
- ✓ Sword Knobs - a better feel and easier to operate, the new knob in an attractive design.
- ✓ Coating - white enamel coating.

Features

Technical Data

Product name/family:gas hob w
integrated controls
Construction type: Built-in
Energy input: Gas
Number of cooking zones: 4
Type of control setting devices: sword knobs
Min. required niche size for installation (HxWxD): . 45 x 560-562 x
480-492 mm
Width of the appliance: 580 mm
Dimensions: 56 x 580 x 510 mm
Dimensions of the packed product (HxWxD): . 141 x 651 x 578 mm
Net weight: 7.5 kg
Gross weight: 8.4 kg
Residual heat indicator:without
Location of control panel:Lateral
Basic surface material:Enamel
Color of surface: White
Length of electrical supply cord: 100.0 cm
EAN code:4242004187295
Gas connection rating:7400 W
Fuse protection:3 A
Voltage:220-240 V
Frequency:60; 50 Hz



N 30, GAS HOB, 60 CM, WHITE T26BR46W0

Features

Design

- enamel surface, white
- Cast iron finish pan supports with rubber feet

Usage convenience

- Design co-ordinated control dials: access knobs on the side with strong grip for effortless turning.
- Ignition via control dials: just push and turn the dials to ignite the flame.

Burners and power

- 4 burner hob
- Left front: High-speed burner up to 3 KW (depending on gas type)
- Left rear: Standard burner up to 1.7 KW (depending on gas type)
- Right rear: Standard burner up to 1.7 KW (depending on gas type)
- Right front: Economy burner up to 1 KW (depending on gas type)

Safety

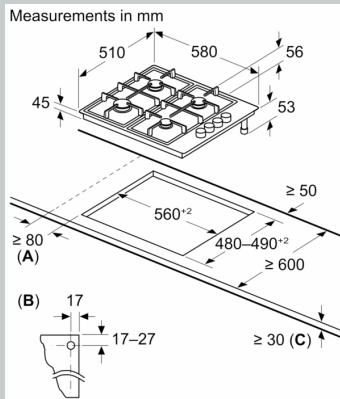
- Flame failure safety device: prevents unwanted gas flow when flame goes out.

Installation (gas types & measurements)

- Usable for: Nat gas L/LL G25/20mbar(DE)
- NG H/E 20mbar, E+ 20/25mbar Natural gas H 25 mbar (HU) Natural gas L 25 mbar (NL) Liquid gas G30,31 28-30/37mbar Liquid gas G30 37 mbar (PL) Liquid gas 50 mbar
- Factory set for connection to mains gas
- Nozzle set for LPG jets (28-30/37mbar) included. Nozzles for all other gas types can be ordered via the customer service. For nozzle change, please contact the customer service.
- Dimensions of the product (HxWxD mm): 56 x 580 x 510
- Required niche size for installation (HxWxD mm) : 45 x 560 x (480 - 492)
- Min. worktop thickness: 30 mm
- Power cord: 1 m
- Connected load: 7.4 KW

N 30, GAS HOB, 60 CM, WHITE
T26BR46W0

Dimensioned drawings



A: Min. distance from the hob cut-out to the wall

B: Position of gas connection in the cut-out

C: With fitted oven underneath possibly more; see space requirements for the oven