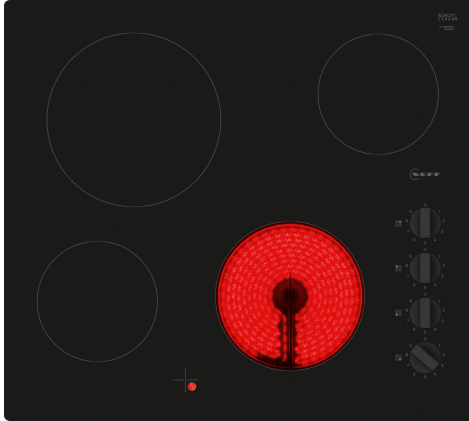


N 30, ELECTRIC HOB, 60 CM, BLACK,
T16NKE0L



Optional accessories

Z943SE0 Set of 2 pots and 1 pan

Standalone electric cooktop with sword knobs

- ✓ 60 cm: space for 4 pots or pans.
- ✓ Cooking zone front left: 145 mm, 1.2 KW
- ✓ Cooking zone rear left: 210 mm, 2.2 KW
- ✓ Cooking zone rear right: 145 mm, 1.2 KW
- ✓ Cooking zone front right: 180 mm, 2 KW

Features

Technical Data

Product name/family: Cooking zone ceramic
 Construction type: Built-in
 Energy input: Electric
 Number of cooking zones: 4
 Min. required niche size for installation (HxWxD): .. 46 x 560-560 x 490-500 mm
 Width of the appliance: 592 mm
 Dimensions: 46 x 592 x 522 mm
 Dimensions of the packed product (HxWxD): . 100 x 750 x 590 mm
 Net weight: 7.5 kg
 Gross weight: 8.3 kg
 Residual heat indicator: Separate
 Location of control panel: Lateral
 Basic surface material: Ceramic
 Color of surface: Black
 EAN code: 4242004271840
 Voltage: 220-240 V
 Frequency: 50; 60 Hz



*N 30, ELECTRIC HOB, 60 CM, BLACK,
T16NKE0L*

Features

- 60 cm: space for 4 pots or pans.

Flexibility of cooking zones

- Cooking zone front left: 145 mm, 1.2 KW
- Cooking zone rear left: 210 mm, 2.2 KW
- Cooking zone rear right: 145 mm, 1.2 KW
- Cooking zone front right: 180 mm, 2 KW

Usage convenience

- Sword knob: control the power with mounted dials.
- Variable 9-stage power settings for each zone: precisely adapt the heat with 9 power levels.

Design

- Frameless

Safety

- residual heat indicator for each cooking zone: indicates which cooking zones are still hot.

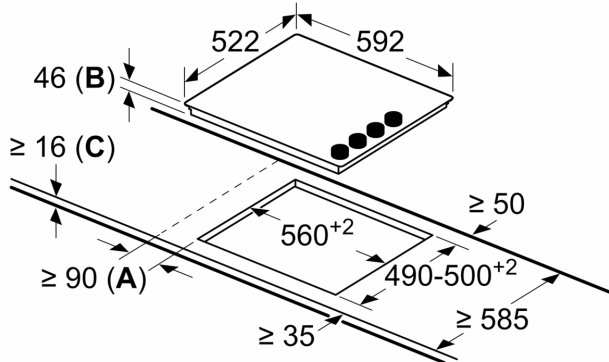
Installation

- Dimensions of the product (HxWxD mm): 46 x 592 x 522
- Required niche size for installation (HxWxD mm) : 46 x 560 x (490 - 500)
- Min. worktop thickness: 16 mm
- Connected load: 6.6 KW

N 30, ELECTRIC HOB, 60 CM, BLACK,
T16NKE0L

Dimensioned drawings

measurements in mm



- A:** Minimum distance from the hob cut-out to the wall.
B: Recessed depth
C: With fitted oven underneath min. 20, possibly more; see space requirements for the oven.