

**Series 6, Fully-integrated  
dishwasher, 60 cm  
SMV6ZCX10G**



**PerfectDry dishwashers for best drying results with flexible and practical loading solutions for all your different styles of dishes.**

- **PerfectDry:** perfect drying results with low energy consumption, even for hard-to-dry items.
- **Silence Pro:** the extremely quiet 40 dB dishwasher.
- **TimeLight:** program status and remaining time clearly displayed on floor in high resolution.
- **VarioFlex-baskets and VarioDrawer:** enhanced flexibility options with more space on all levels.
- **Home Connect:** home appliances with smart connectivity for an easier everyday life.

**Technical Data**

Energy Efficiency Class: ..... B  
 Energy Consumption for 100 cycles Eco Programme: ..... 65 kWh  
 Maximum number of place settings: ..... 14  
 The water consumption of the eco programme in liters per cycle: 9.0 l  
 Programme duration: ..... 3:35 h  
 Airborne acoustical noise emissions : ..... 40 dB(A) re 1 pW  
 Airborne acoustical noise emission class: ..... B  
 Built-in / Free-standing: ..... Built-in  
 Height of removable worktop: ..... 0 mm  
 Dimensions of the product (HxWxD): ..... 815 x 598 x 550 mm  
 Min. required niche size for installation (HxWxD): ..... 815-875 x 600 x 550 mm  
 Depth with open door 90 degree: ..... 1150 mm  
 Adjustable feet: ..... Yes - all from front  
 Maximum adjustability feet: ..... 60 mm  
 Adjustable plinth: ..... Both horizontal and vertical  
 Net weight: ..... 45.2 kg  
 Gross weight: ..... 47.0 kg  
 Connection rating: ..... 2400 W  
 Fuse protection: ..... 10 A  
 Voltage: ..... 220-240 V  
 Frequency: ..... 50; 60 Hz  
 Length electrical supply cord: ..... 175.0 cm  
 Plug type: ..... GB plug  
 Length inlet hose: ..... 165 cm  
 Length outlet hose: ..... 190 cm  
 EAN code: ..... 4242005470624  
 Installation typology: ..... Integrated

**Optional accessories**

SGZ0BI01	decorative strips stainless steel 81,5cm
SGZ0IC00	Small Item Clip for upper rack
SGZ1010	inlet and outlet hose extension
SGZ8BI00	Connection rail for divided furniture
SMZ2056	Attachment door, stainless steel
SMZ5003	Retractable hinge f. high corpus dimens.
SMZ5035	Decor conversion kit, stainless steel
SMZ5100	Vario-cutlery basket
SMZ5300	GlassSecure Tray



## Series 6, Fully-integrated dishwasher, 60 cm SMV6ZCX10G

### PerfectDry dishwashers for best drying results with flexible and practical loading solutions for all your different styles of dishes.

- Self-cleaning filter system with 3 piece corrugated filter
- steam protection plate
- Stainless steel interior
- Dimensions (HxWxD): 81.5 x 59.8 x 55cm

<sup>1</sup> Scale of Energy Efficiency Classes from A to G

<sup>2</sup> Energy consumption in kWh per 100 cycles (in programme Eco 50 °C)

<sup>3</sup> Water consumption in litres per cycle (in programme Eco 50 °C)

<sup>4</sup> Duration of programme Eco 50 °C

#### Performance

- Energy Efficiency Class<sup>1</sup>: B
- Energy<sup>2</sup> / Water<sup>3</sup>: 65 kWh / 9 litres
- Capacity: 14 place settings
- Programme duration<sup>4</sup>: 3:35 (h:min)
- Noise level: 40 dB(A) re 1 pW
- Noise Efficiency Class: B
- Noise level (silence programme): 39 dB(A) re 1 pW

#### Programmes / functions

- 6 programmes: Eco 50 °C, Auto 45-65 °C, Intensive 70 °C, Express 60 °C, Silence 50 °C, Favourite
- Default favourite programme: Pre-Rinse
- 4 special options: Remote Start, Extra Dry, Half Load, SpeedPerfect+
- Add-On functions via Home Connect app: Hygiene+, Silence on Demand
- Machine Care

#### Flexible design elements

- Vario Flex baskets
- Vario Drawer - loading of cutlery on 3rd level
- 3 stage Rackmatic height-adjustable top basket
- Low friction wheels on bottom basket
- Rack Stopper to prevent derailing of bottom basket
- 2 foldable plate racks in top basket
- 4 foldable plate racks in bottom basket
- Upper rack cup shelf

#### Innovations and technology

- Home Connect ready on WLAN
- Zeolith - Energy efficient and perfect drying results
- Heat exchanger - Hygienic and efficient drying
- DosageAssist detergent dispenser
- EcoSilence BLDC drive
- Automatic detergent detection
- AquaSensor III
- AquaMix - Glass protection system

#### Design features

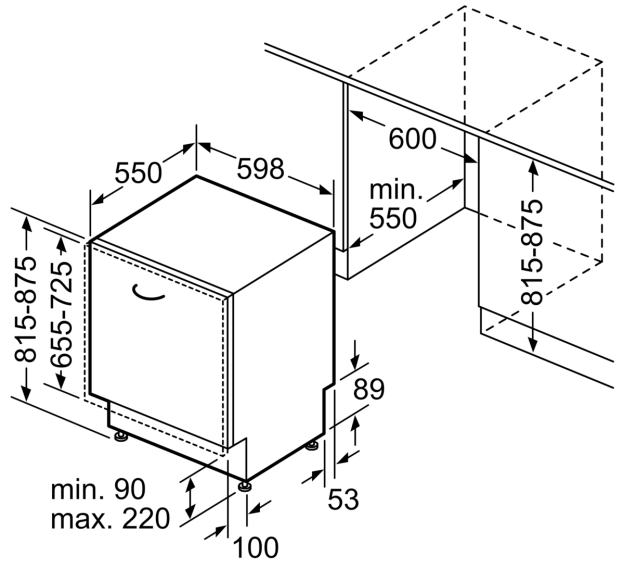
- Push button top edge controls
- TimeLight - Light projection on the floor
- Time delay (3, 6 or 24 hours)
- Acoustic end of cycle indicator
- AquaStop: Bosch's warranty in case of water damage - for the lifetime of the appliance. Please find warranty terms under <https://www.bosch-home.co.uk/customer-service/care-protection-and-parts/additional-warranties>

## Series 6, Fully-integrated dishwasher, 60 cm SMV6ZCX10G

measurements in mm



⌚ socket  
( ) values with extension kit



measurements in mm