

**Serie | 6, Fully-integrated dishwasher,  
60 cm  
SMV68ND00G**



**Rely on PerfectDry for excellent drying results on challenging dishes, glassware and even plastic.**

- **PerfectDry based on Zeolith®:** perfect drying results with 3D Airflow even on plastic dishes.
- **Silence Program and SuperSilence:** remarkably quiet at 44 dB, more so with the Silence program.
- **Glass 40°C:** gentle cleaning for your delicate glassware.
- **VarioDrawer:** 3rd level loading for cutlery and smaller kitchen utensils.
- **Rackmatic:** even more adjustment options and thus maximum flexibility.

**Technical Data**

Energy Efficiency Class: D

Energy Consumption for 100 cycles Eco Programme: 84 kWh

Maximum number of place settings: 13

The water consumption of the eco programme in liters per cycle: 7.7 l

Programme duration: 3:45 h

Airborne acoustical noise emissions : 44 dB(A) re 1 pW

Airborne acoustical noise emission class: B

Construction type: Built-in

Height of removable worktop: 0 mm

Dimensions of the product (HxWxD): 815 x 598 x 550 mm

Required niche size for installation (HxWxD): 815-875 x 600 x 550 mm

Approval certificates: CE, VDE

Depth with open door 90 degree: 1150 mm

Adjustable feet: Yes - all from front

Maximum adjustability feet: 60 mm

Adjustable plinth: both horizontal and vertical

Net weight: 41.2 kg

Gross weight: 43.5 kg

Connection rating: 2400 W

Fuse protection: 10 A

Voltage: 220-240 V

Frequency: 50; 60 Hz

Length of electrical supply cord: 175 cm

Plug type: GB plug

Length inlet hose: 165 cm

Length outlet hose: 190 cm

EAN code: 4242005134991

Installation type: Full-integrated



**Optional accessories**

SGZ1010 : inlet and outlet hose extention

SMZ5005 : Compensating + fixing kit, stainl. steel

SMZ5035 : Decor conversion kit, stainless steel

SMZ5100 : Vario-cutlery basket

SMZ5300 : GlassSecure Tray



## Serie | 6, Fully-integrated dishwasher, 60 cm SMV68ND00G

### Rely on PerfectDry for excellent drying results on challenging dishes, glassware and even plastic.

#### Performance

- Energy Efficiency Class<sup>1</sup>: D
- Energy<sup>2</sup> / Water<sup>3</sup>: 84 kWh / 7.7 litres
- Capacity: 13 place settings
- Programme duration<sup>4</sup>: 3:45 (h:min)
- Noise level: 44 dB(A) re 1 pW
- Noise Efficiency Class: B
- Noise level (silence programme): 42 dB(A) re 1 pW

#### Programmes/functions

- 8 programmes: Intensive 70 °C, Auto 45-65 °C, Eco 50 °C, Silence, Short, Glass 40 °C, Quick 45 °C, Prerinse
- 4 special options: Intensive Zone, VarioSpeed Plus, Hygiene+, Extra Dry
- Special program 1: Machine Care
- 6 temperatures

#### Flexible design elements

- mid TP
- VarioDrawer - loading of cutlery on 3rd level
- VarioFlex basket system Basket system with red coloured touchpoints
- 3 stage Rackmatic height-adjustable top basket
- Lower rack handle: BO plastic-middle grey-red
- 2 foldable plate racks in top basket
- 4 foldable plate racks in bottom basket
- Upper rack cup shelf

#### Innovations and technology

- DoorOpen Assist - perfectly designed for kitchens without handles
- Zeolith - Energy efficient and perfect drying results
- Heat exchanger.
- DosageAssist detergent dispenser
- Automatic detergent detection
- ActiveWater hydraulic water system
- EcoSilence BLDC drive
- AquaSensor III, Load Sensor
- AquaMix - Glass protection system
- AquaStop: Bosch's warranty in case of water damage - for the lifetime of the appliance. Please find warranty terms

under <https://www.bosch-home.co.uk/customer-service/care-protection-and-parts/additional-warranties>

- Curved spray arms - Optimum water distribution

#### Design features

- Touch Control (metallic)
- Push button top edge controls
- Acoustic end of cycle indicator, Time remaining indicator (min), TimeLight - White light projection on floor, water inlet indicator
- TimeLight - White light projection on floor, Acoustic end of cycle indicator, Time remaining indicator (min), water inlet indicator
- Time delay (3, 6 or 24 hours)
- ChildLock - double push to open
- Stainless steel interior
- Display colour: red/white
- LED salt refill indicator, LED rinse aid refill indicator
- Alternating spray arms
- Large item spray head, steam protection plate
- Self-cleaning filter system with 3 piece corrugated filter
- Acoustic end of cycle indicator
- Front-adjustable rear foot
- Dimensions (HxWxD): 81.5 x 59.8 x 55cm

\* Please find warranty terms under <https://www.siemens-home.bsh-group.com/uk/customer-service/warranty/additional-warranties>

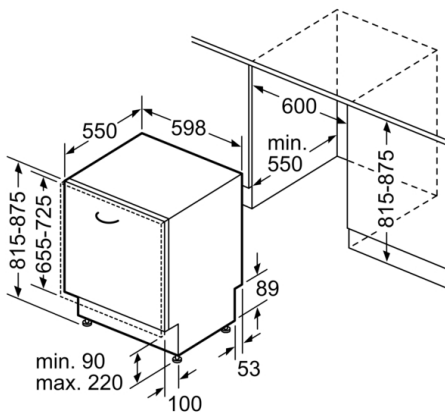
<sup>1</sup> Scale of Energy Efficiency Classes from A to G

<sup>2</sup> Energy consumption in kWh per 100 cycles (in programme Eco 50 °C)

<sup>3</sup> Water consumption in litres per cycle (in programme Eco 50 °C)

<sup>4</sup> Duration of programme Eco 50 °C

**Serie | 6, Fully-integrated dishwasher, 60 cm  
SMV68ND00G**



measurements in mm

