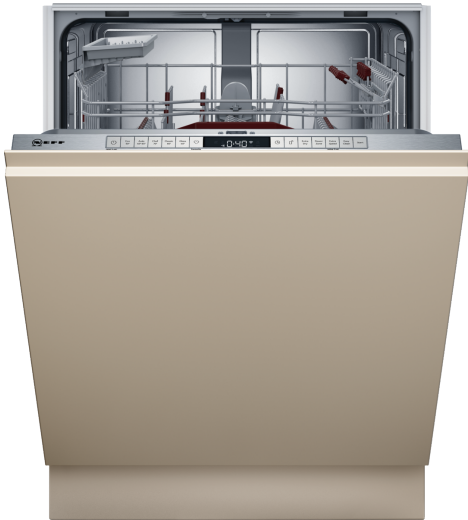


N 50, FULLY-INTEGRATED DISHWASHER, 60 CM  
S155HAX27G



The dishwasher that's flexible to load and displays the time remaining.

- ✓ Home Connect – Add your dishwasher to your home network and enjoy the infinite possibilities of connected services
- ✓ Flex 2 Baskets – Foldable elements in the top and bottom baskets combined with Rack Matic, offers flexibility for your loading needs
- ✓ Chef 70°C – The pro programme that vanishes stubborn residues.
- ✓ Favourite – Easily access your favourite settings or programmes.
- ✓ TimeLight – the time remaining in the programme is projected onto the floor

### Features

#### Technical Data

Energy Efficiency Class: ..... D  
 Energy Consumption for 100 cycles Eco Programme: ..... 84 kWh  
 Maximum number of place settings: ..... 13  
 The water consumption of the eco programme in liters per cycle:  
 9.5 l  
 Programme duration: ..... 4:55 h  
 Airborne acoustical noise emissions : ..... 46 dB(A) re 1 pW  
 Airborne acoustical noise emission class: ..... C  
 Construction type: ..... Built-in  
 Height of removable worktop: ..... 0 mm  
 Dimensions of the product (HxWxD): ..... 815 x 598 x 550 mm  
 Min. required niche size for installation (HxWxD): 815-875 x 600 x 550 mm  
 Depth with open door 90 degree: ..... 1150 mm  
 Adjustable feet: ..... Yes - all from front  
 Maximum adjustability feet: ..... 60 mm  
 Adjustable plinth: ..... Both horizontal and vertical  
 Net weight: ..... 35.1 kg  
 Gross weight: ..... 37.0 kg  
 Connection rating: ..... 2400 W  
 Fuse protection: ..... 10 A  
 Voltage: ..... 220-240 V  
 Frequency: ..... 50; 60 Hz  
 Length of electrical supply cord: ..... 175.0 cm  
 Plug type: ..... GB plug  
 Length inlet hose: ..... 165 cm  
 Length outlet hose: ..... 190 cm  
 EAN code: ..... 4242004257080  
 Installation type: ..... Full-integrated

### Optional accessories

Z7871X0	Silver polishing cassette
Z7880X0	Accessories dishwashers
Z788BI00	Connection rail for divided furniture
Z7710X0	inlet and outlet hose extention
Z780BI01	decorative strips stainless steel 81,5cm
Z7860X3	Stainless steel protection set 81,5 cm
Z7863X1	Rack insert for stemware dishwasher
Z7863X8	Wine glass holder
Z7865X6	Attachment door, brushed steel
Z7870X0	Accessories dishwasher



## N 50, FULLY-INTEGRATED DISHWASHER, 60 CM S155HAX27G

### Features

#### New for 2021

#### Performance

- Energy Efficiency Class<sup>1</sup>: D
- Energy<sup>2</sup> / Water<sup>3</sup>: 84 kWh / 9.5 litres
- Capacity: 13 place settings
- Programme duration<sup>4</sup>: 4:55 (h:min)
- Noise level: 46 dB(A) re 1 pW
- Noise Efficiency Class: C

#### Programmes / functions

- 6 programmes: Eco 50 °C, Auto 45-65 °C, Chef 70 °C, Classic 60 °C, Glass 40 °C, Favourite
- Default favourite programme: Pre-Rinse
- 4 special options: Remote Start, Extra Dry, Power Zone, Extra Speed
- Easy Clean Programme
- Silence on Demand (via app)

#### Flexible design elements

- Flex 2 baskets with coloured TouchPoints
- 3 stage Rackmatic height-adjustable top basket
- Ball bearing wheels on upper basket
- Low friction wheels on bottom basket
- Anti-slip protection strips in upper basket
- Rack Stopper to prevent derailing of bottom basket
- 6 foldable plate racks in top basket
- 6 foldable plate racks in bottom basket
- Knife rack in top basket
- Moveable cutlery basket in lower rack
- Upper rack cup shelf
- Lower rack cup shelf
- Glass rack in bottom basket

#### Innovations and technology

- Home Connect - Wi Fi enabled, for dishwasher control
- Heat exchanger.
- Efficient SilentDrive BLDC motor
- DosageAssist detergent dispenser
- DetergentAware
- Neff Sparkle - glass care system

#### Design features

- Push button top controls
- Time Light - Light projection on the floor
- Acoustic end of cycle indicator, remaining programme time indicator on top edge, water fault indicator
- Time delay (3, 6 or 24 hours)
- Aqua Stop: Neff's warranty in case of water damage – throughout the lifetime of the appliance.\*
- Self-cleaning filter system with 3 piece corrugated filter
- Stainless steel interior
- Large item spray head, including Steam protection plate
- Dimensions (HxWxD): 81.5 x 59.8 x 55cm

<sup>1</sup> Scale of Energy Efficiency Classes from A to G

<sup>2</sup> Energy consumption in kWh per 100 cycles (in programme Eco 50 °C)

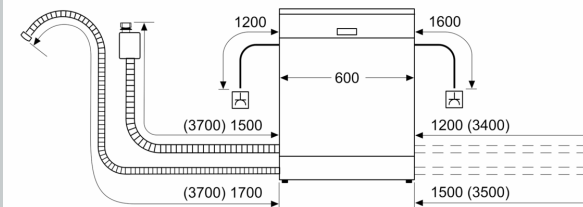
<sup>3</sup> Water consumption in litres per cycle (in programme Eco 50 °C)

<sup>4</sup> Duration of programme Eco 50 °C

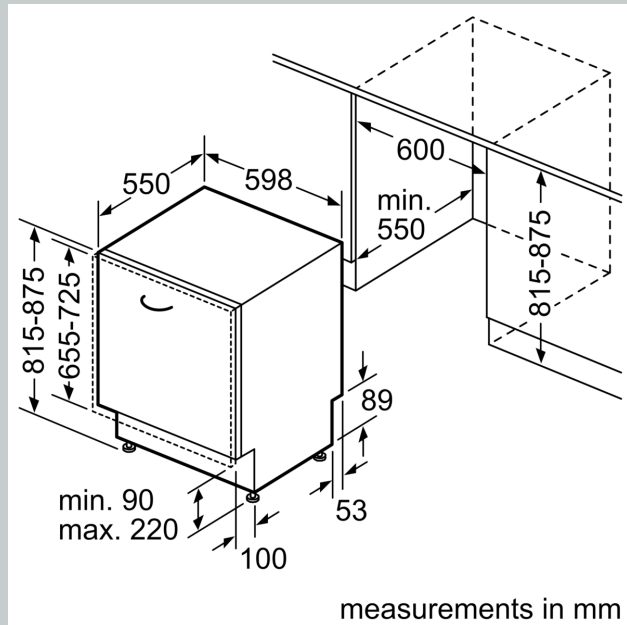
N 50, FULLY-INTEGRATED DISHWASHER, 60 CM  
S155HAX27G

Dimensioned drawings

measurements in mm



socket  
( ) values with extension kit



measurements in mm