

N 30, FULLY-INTEGRATED DISHWASHER, 60 CM S1531TX05G



Optional accessories

Z7710X0	inlet and outlet hose extention
Z780BI02	decorative strips stainless steel 81,5cm
Z7863X1	Rack insert for stemware dishwasher
Z7865X6	Attachment door, brushed steel
Z7870X0	Accessories dishwasher
Z7871X0	Silver polishing cassette
Z7880X0	Accessories dishwashers
Z788BI00	Connection rail for divided furniture

The dishwasher that's practical to load and indicates when it's running.

- ✓ Home Connect – Add your dishwasher to your home network and enjoy the infinite possibilities of connected services
- ✓ Flex I Baskets – Foldable elements in the top and bottom baskets for practical loading
- ✓ Chef 70°C – The pro programme that vanishes stubborn residues.
- ✓ Info Light – A light projected onto the floor shows you that the dishwasher is in operation.
- ✓ Extra Dry: for difficult-to-dry loads select the extra drying option

Features

Technical Data

Energy Efficiency Class:	E
Energy Consumption for 100 cycles Eco Programme:	92 kWh
Maximum number of place settings:	12
The water consumption of the eco programme in liters per cycle:	10.5 l
Programme duration:	4:30 h
Airborne acoustical noise emissions :	48 dB(A) re 1 pW
Airborne acoustical noise emission class:	C
Construction type:	Built-in
Height of removable worktop:	0 mm
Dimensions of the product (HxWxD):	815 x 598 x 550 mm
Min. required niche size for installation (HxWxD):	815-875 x 600 x 550 mm
Depth with open door 90 degree:	1150 mm
Adjustable feet:	Yes - all from front
Maximum adjustability feet:	60 mm
Adjustable plinth:	Both horizontal and vertical
Net weight:	31.1 kg
Gross weight:	33.2 kg
Connection rating:	2400 W
Fuse protection:	10 A
Voltage:	220-240 V
Frequency:	50; 60 Hz
Length of electrical supply cord:	175.0 cm
Plug type:	GB plug
Length inlet hose:	165 cm
Length outlet hose:	190 cm
EAN code:	4242004256892
Installation type:	Full-integrated



N 30, FULLY-INTEGRATED DISHWASHER, 60 CM S1531TX05G

Features

New for 2021

Performance

- Energy Efficiency Class¹: E
- Energy² / Water³: 92 kWh / 10.5 litres
- Capacity: 12 place settings
- Programme duration⁴: 4:30 (h:min)
- Noise level: 48 dB(A) re 1 pW
- Noise Efficiency Class: C

Programmes / functions

- 5 programmes: Eco 50 °C, Auto 45-65 °C, Chef 70 °C, 1h 65 °C, Favourite
- Default favourite programme: Pre-Rinse
- 4 special options: Remote Start, Extra Dry, Power Zone, Speed
- Easy Clean Programme
- Silence on Demand (via app)

Flexible design elements

- Flex I baskets
- Height adjustable top basket
- Low friction wheels on bottom basket
- Rack Stopper to prevent derailing of bottom basket
- 2 foldable plate racks in bottom basket
- Cutlery basket in lower rack

Innovations and technology

- Home Connect - Wi Fi enabled, for dishwasher control
- Efficient SilentDrive BLDC motor
- DosageAssist detergent dispenser
- DetergentAware
- Neff Sparkle - glass care system

Design features

- Push button top controls
- InfoLight (Red) - Light projection on the floor
- Aqua Stop: Neff's warranty in case of water damage – throughout the lifetime of the appliance.*
- Time delay (3, 6 or 9 hours)
- Self cleaning filter system with 3 piece corrugated filter
- Large item spray head, steam protection plate
- Stainless steel/Polinox interior
- Dimensions (HxWxD): 81.5 x 59.8 x 55cm

¹ Scale of Energy Efficiency Classes from A to G

² Energy consumption in kWh per 100 cycles (in programme Eco 50 °C)

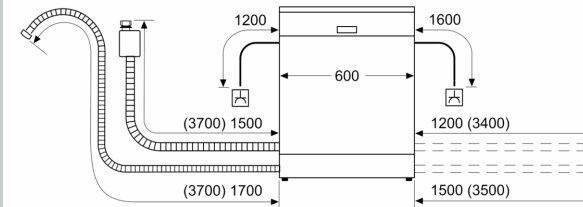
³ Water consumption in litres per cycle (in programme Eco 50 °C)

⁴ Duration of programme Eco 50 °C

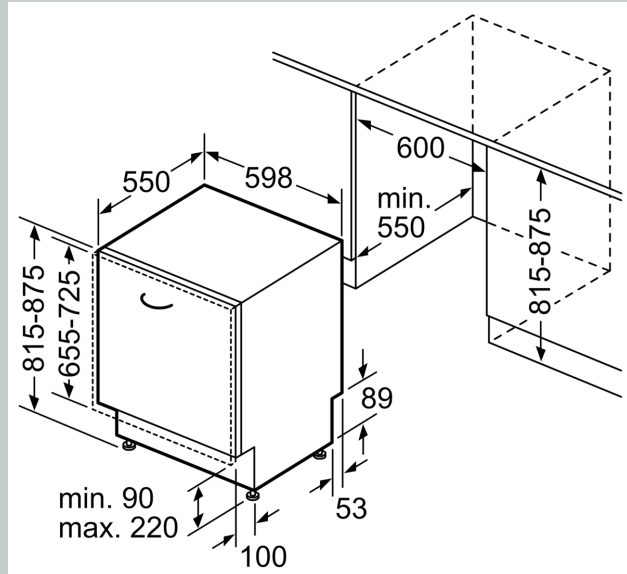
N 30, FULLY-INTEGRATED DISHWASHER, 60 CM
S1531TX05G

Dimensioned drawings

measurements in mm



⚡ socket
() values with extension kit



measurements in mm