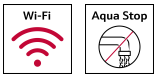


N 50, SEMI-INTEGRATED DISHWASHER, 60 CM,  
STAINLESS STEEL  
S1451TS04G



The practical dishwasher offers a favourite button for customised settings.

- ✓ Home Connect – Add your dishwasher to your home network and enjoy the infinite possibilities of connected services
- ✓ Flex I Baskets – Foldable elements in the top and bottom baskets for practical loading
- ✓ Chef 70°C – The pro programme that vanishes stubborn residues.
- ✓ Extra Dry: for difficult-to-dry loads select the extra drying option
- ✓ Aqua Stop: Neff's warranty in case of water damage – throughout the lifetime of the appliance.\*

#### Features

##### Technical Data

Energy Efficiency Class: .....E  
 Energy Consumption for 100 cycles Eco Programme: ..... 92 kWh  
 Maximum number of place settings: ..... 12  
 The water consumption of the eco programme in liters per cycle: 10.5 l  
 Programme duration: ..... 4:30 h  
 Airborne acoustical noise emissions : ..... 48 dB(A) re 1 pW  
 Airborne acoustical noise emission class: ..... C  
 Construction type: ..... Built-in  
 Height of removable worktop: ..... 0 mm  
 Dimensions of the product (HxWxD): ..... 815 x 598 x 573 mm  
 Min. required niche size for installation (HxWxD): 815-875 x 600 x 550 mm  
 Depth with open door 90 degree: ..... 1150 mm  
 Adjustable feet: ..... Yes - all from front  
 Maximum adjustability feet: ..... 60 mm  
 Adjustable plinth: ..... Both horizontal and vertical  
 Net weight: ..... 31.6 kg  
 Gross weight: ..... 33.7 kg  
 Connection rating: ..... 2400 W  
 Fuse protection: ..... 10 A  
 Voltage: ..... 220-240 V  
 Frequency: ..... 50; 60 Hz  
 Length of electrical supply cord: ..... 175.0 cm  
 Plug type: ..... GB plug  
 Length inlet hose: ..... 165 cm  
 Length outlet hose: ..... 190 cm  
 EAN code: ..... 4242004256885  
 Installation type: ..... Half-integrated

#### Optional accessories

Z7880X0	Accessories dishwashers
Z7710X0	inlet and outlet hose extention
Z780BI02	decorative strips stainless steel 81,5cm
Z7863X1	Rack insert for stemware dishwasher
Z7863X2	Plinth casing and door, stainless steel
Z7870X0	Accessories dishwasher
Z7871X0	Silver polishing cassette



*N 50, SEMI-INTEGRATED DISHWASHER, 60 CM,  
STAINLESS STEEL  
S1451TS04G*

## Features

### New for 2021

#### Performance

- Energy Efficiency Class<sup>1</sup>: E
- Energy<sup>2</sup> / Water<sup>3</sup>: 92 kWh / 10.5 litres
- Capacity: 12 place settings
- Programme duration<sup>4</sup>: 4:30 (h:min)
- Noise level: 48 dB(A) re 1 pW
- Noise Efficiency Class: C

#### Programmes / functions

- 6 programmes: Eco 50 °C, Auto 45-65 °C, Chef 70 °C, 1h 65 °C, Glass 40 °C, Favourite
- Default favourite programme: Pre-Rinse
- 4 special options: Remote Start, Extra Dry, Power Zone, Speed
- Easy Clean Programme
- Silence on Demand (via app)

#### Flexible design elements

- Flex I baskets
- Height adjustable top basket
- Low friction wheels on bottom basket
- Rack Stopper to prevent derailing of bottom basket
- 2 foldable plate racks in bottom basket
- Cutlery basket in lower rack

#### Innovations and technology

- Home Connect - Wi Fi enabled, for dishwasher control
- Efficient SilentDrive BLDC motor
- DosageAssist detergent dispenser
- DetergentAware
- Neff Sparkle - glass care system

#### Design features

- Remaining programme time indicator (minutes) on front display
- Tamperproof controls
- Time delay (3, 6 or 24 hours)
- Aqua Stop: Neff's warranty in case of water damage – throughout the lifetime of the appliance.\*
- Self cleaning filter system with 3 piece corrugated filter
- Large item spray head, steam protection plate
- Stainless steel/Polinox interior
- Dimensions (HxWxD): 81.5 x 59.8 x 57.3cm

<sup>1</sup> Scale of Energy Efficiency Classes from A to G

<sup>2</sup> Energy consumption in kWh per 100 cycles (in programme Eco 50 °C)

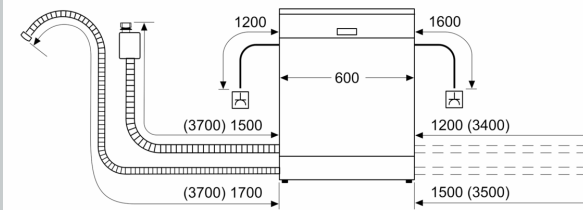
<sup>3</sup> Water consumption in litres per cycle (in programme Eco 50 °C)

<sup>4</sup> Duration of programme Eco 50 °C

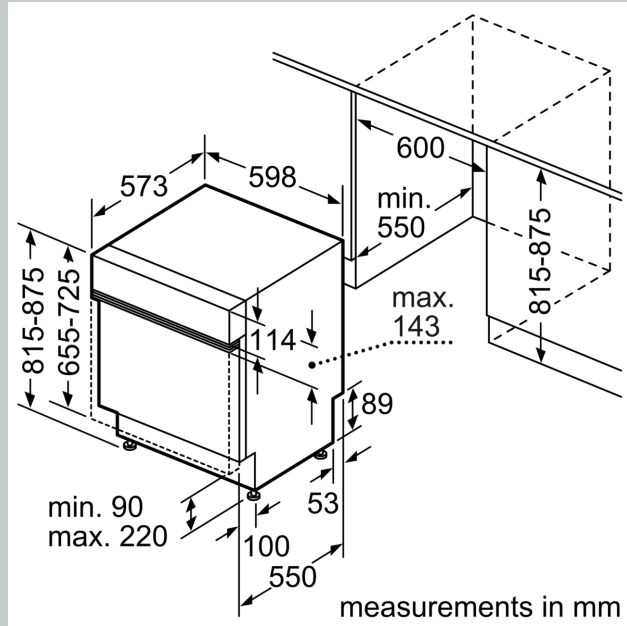
N 50, SEMI-INTEGRATED DISHWASHER, 60 CM,  
 STAINLESS STEEL  
 S1451TS04G

Dimensioned drawings

measurements in mm



socket  
 ( ) values with extension kit



measurements in mm