

Freestanding Quad Door Refrigerator Freezer, 90.5cm, 538L, Ice & Water

Series 7 | Contemporary

Stainless Steel | French hinge



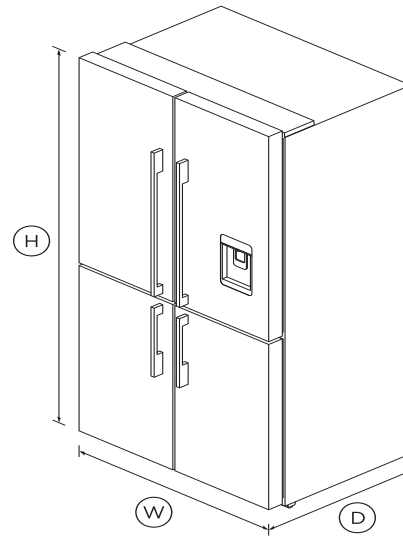
Featuring three separate compartments, including an independent Variable Temperature Zone, for unbelievably flexible storage.

- ActiveSmart™ technology helps keep food fresher for longer by constantly maintaining the ideal temperature.
- Variable Temperature Zone lets you change a compartment to Fridge, Chill, Soft Freeze or Freezer for optimal storage
- Spacious bottom freezer with easy-slide internal drawers to separate storage

- Door water dispenser and internal ice maker

DIMENSIONS

Height	1790mm
Width	905mm
Depth	688mm



FEATURES & BENEFITS

ACTIVESMART™ FOODCARE

ActiveSmart™ Foodcare learns how you live. It is technology which understands how you use your refrigerator and adjusts temperature, airflow and humidity inside to help keep food fresher for longer.

THOUGHTFUL DESIGN

Perfectly flat doors for a less intrusive fit in the kitchen, spill-proof glass shelving and beautiful lighting for great visibility inside.

EASY ONE-TOUCH CONTROL PANEL

Situated conveniently, the control panel for the refrigerator, freezer and Variable Temperature Zone compartments allows you to view and modify the features and options to suit any occasion.

FLEXIBLE STORAGE AND ACCESS

Large compartments, adjustable internal storage and shelving are designed for your constantly changing needs.

SLIMLINE WATER DISPENSER

Easily fill any size jug or vessel with cool, filtered water. Fresh ice is always available in a dedicated freezer bin.

DESIGN QUALITY

Our refrigerators are designed and built using quality materials. We use real stainless steel and solid glass for the interior shelving.

SPECIFICATIONS

Capacity

Total net volume	538L
Volume freezer	98.5L
Volume refrigerator	341L
Volume variable temperature	98.5L

Consumption

Energy rating	F
Energy usage	370kWh/year

Features

Adjustable door shelves	6
-------------------------	----------

Adjustable glass shelves	4
Cantilevered glass shelves	4
Covered door shelves	2
Door alarm	•
Front levelling feet	•
Fruit and vegetable bins	2
LED lighting	•
Rear rollers	•
SmartTouch control panel	•
Spill proof removable bins	•
Stackable bottle holders	4
Ultra slim water dispenser	•
Water Filter	Part number 847200

Internal replaceable water filter	•
Inverter controlled compressor	•
Noise emissions	40dBA
Noise emissions class	C
R600a refrigerant	•
Sabbath mode	•
Variable temperature	•
Variable temperature zones	1

Paykel's Customer Care Centre to ensure this page correctly describes the model currently available. ? Fisher & Paykel Appliances Ltd 2020

Power requirements

Amperage	1.8A
Supply voltage	220 - 240V

Product dimensions

Depth	688mm
Height	1790mm
Height to top of cabinet	1775mm
Height to top of door	1790mm
Width	905mm

Warranty

Parts and labour	5 years
Sealed system parts only	5 years

SKU	26555
-----	-------

The product dimensions and specifications in this page apply to the specific product and model. Under our policy of continuous improvement, these dimensions and specifications may change at any time. You should therefore check with Fisher &

Freezer Features

Automatic ice maker	•
Bottle chill	•
Door alarm	•
Fast freeze	•
Full extension clear bins	3
Ice Boost	•
Ice bin and scoop	•
LED lighting	•

Performance

ActiveSmart™ Foodcare	•
Frost free	•
Frost free freezer	•
Humidity control system	•

Other product downloads available at fisherpaykel.com



User Guide



User Guide



Service & Warranty



Declaration of Conformity



Installation Guide



Water Filter Replacement Instructions & Installation Guide



Data Sheet Freestanding Quad Door Fridge Freezer



A PEACE OF MIND SALE

24 Hours 7 Days a Week Customer Support

T 08000 886 605 W www.fisherpaykel.com