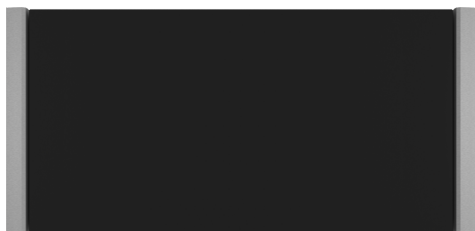


N 70, BUILT-IN WARMING DRAWER, 60 X 29 CM,
STAINLESS STEEL
N34HA11N1B



Optional accessories

Z11SZ80X1 SeamlessCombination 60 + 29cm

Preheat plates and cups, so that dishes stay hot longer. Keep warm, for keeping cooked dishes warm.

√ Slow Cook Programme - For tender meats, poultry, and vegetables packed with flavour and vitamins.

Features

Technical Data

Construction type: Built-in
Maximum number of plates:40
Maximum number of espresso cups: 192
Dimensions: 290 x 594 x 518 mm
Dimensions of the packed product (HxWxD): . 400 x 650 x 690 mm
Min. required niche size for installation (HxWxD): .290 x 560 x 550 mm
EAN code:4242004266952
Fuse protection:10 A
Voltage: 220-240 V
Plug type: Gardy plug w/ earthing



*N 70, BUILT-IN WARMING DRAWER, 60 X 29 CM,
STAINLESS STEEL
N34HA11N1B*

Features

- Multifunctional warming drawer with the heating functions: Low temperature cooking, Keep warm, plate warming, cup warming
- Can accommodate up to:
 - -40 plates
 - -192 espresso cups

Design

- Graphite-Grey Edition
- Touch key operation
- Touch Control illuminated

Programmes/functions

- Temperature control in 4 levels: ca. 30°C - 80°C (glass surface temperature)
- User-friendly electronics: extremely
- easy and comfortable operation
- Favourites button - manage via Home Connect app
- Push-Pull opening mechanism
- Easy to clean toughened glass heating plate

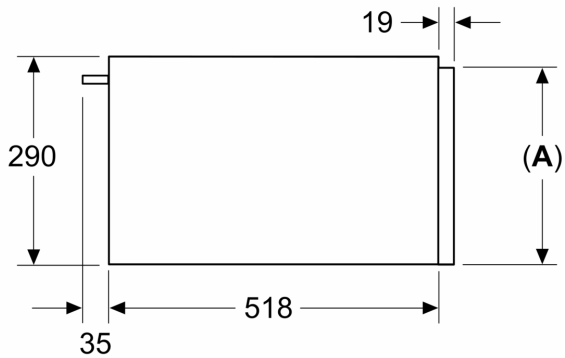
Performance/technical information

- Nominal voltage: 220 - 240 V
- Total connected load electric: 0.82 KW
- Cavity volume: 54 l
- Loading up to 25 kg
- Appliance dimension (hxwxd): 290 mm x 594 mm x 518 mm
- Niche dimension (hxwxd): 290 mm x 560 mm - 568 mm x 550 mm
- In case of installation under the worktop, installation accessory spare part no. 9001698838 is needed.
- Please refer to the dimensions provided in the installation manual

N 70, BUILT-IN WARMING DRAWER, 60 X 29 CM,
 STAINLESS STEEL
 N34HA11N1B

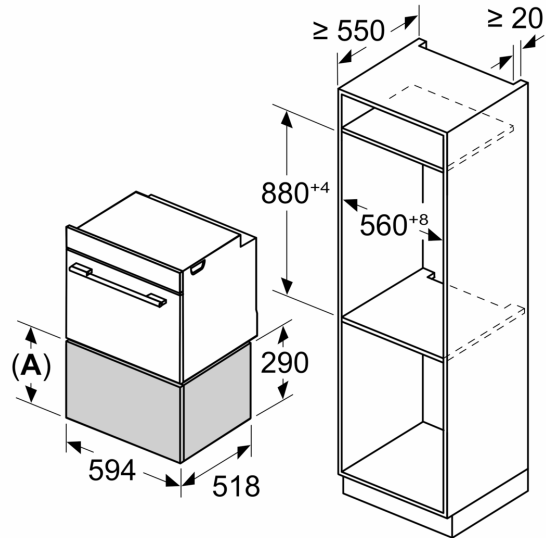
Dimensioned drawings

Measurements in mm



A: 287.5 mm
 Ovens with appliance height of 595 mm can be installed above the warming drawer without an intermediate floor

Measurements in mm



A: 287.5 mm

