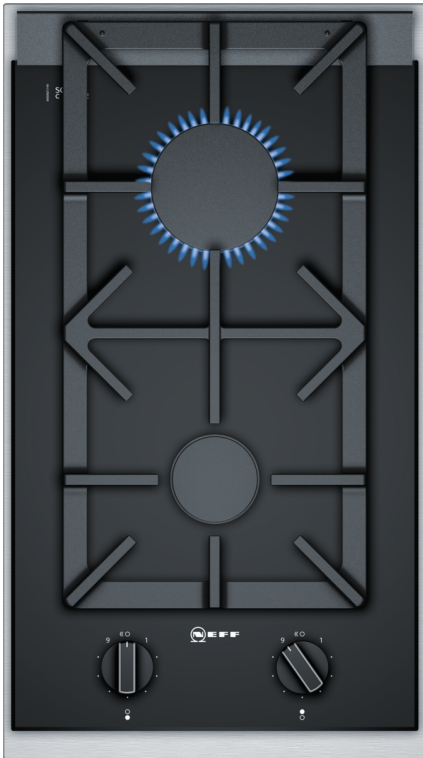


N 90, DOMINO GAS HOB, 30 CM, CERAMIC, BLACK
N23TS29N0



Optional accessories

Z2402X0	Small pot support
Z2480X0	Simmer plate
Z9914X0	Connecting strip

The gas hob with heat-resistant ceramic glass surface and adjustable FlameSelect control.

- ✓ Ceramic Glass Surface - extremely easy-to-clean surface.
- ✓ FlameSelect® – Gain ultimate control of your flame.
- ✓ Pan Supports - continuous cast-iron pan supports for maximum stability and cooking convenience.
- ✓ Biomethane ready – Power your hob with renewable biomethane gas.
- ✓ Sword Knobs - a better feel and easier to operate, the new knob in an attractive design.

Features

Technical Data

Product name/family:	Vario/Domino gas hob w control
Product name/family:	Vario/Domino gas hob w control
Construction type:	Built-in
Construction type:	Built-in
Energy input:	Gas
Energy input:	Gas
Number of cooking zones:	2
Number of cooking zones:	2
Min. required niche size for installation (HxWxD):	45 x 270 x 490-500 mm
Min. required niche size for installation (HxWxD):	45 x 270 x 490-500 mm
Width of the appliance:	306 mm
Width of the appliance:	306 mm
Dimensions:	47 x 306 x 546 mm
Dimensions:	47 x 306 x 546 mm
Dimensions of the packed product (HxWxD): .	190 x 400 x 650 mm
Dimensions of the packed product (HxWxD): .	190 x 400 x 650 mm
Net weight:	6.8 kg
Net weight:	6.8 kg
Gross weight:	7.8 kg
Gross weight:	7.8 kg
Residual heat indicator:	without
Residual heat indicator:	without
Location of control panel:	Hob front
Location of control panel:	Hob front
Basic surface material:	Ceramic
Basic surface material:	Ceramic
Color of surface:	Black, Stainless steel
Color of surface:	Black, Stainless steel
Color of frame:	Black, Stainless steel
Color of frame:	Black, Stainless steel
Length of electrical supply cord:	100.0 cm
Length of electrical supply cord:	100.0 cm
EAN code:	4242004268741
EAN code:	4242004268741
Gas connection rating:	4700 W
Gas connection rating:	4700 W
Fuse protection:	3 A
Fuse protection:	3 A
Voltage:	220-240 V
Voltage:	220-240 V
Frequency:	50; 60 Hz
Frequency:	50; 60 Hz



4 242004 268741

N 90, DOMINO GAS HOB, 30 CM, CERAMIC, BLACK N23TS29N0

Features

Design

- ceramic glass surface, black
- Bevelled design, stainless steel
- black cast iron pan supports with protective rubber feet
- Low profile burner: elegant burner design

Usage convenience

- FlameSelect with 9 steps: precisely control and adjust the flame in nine defined levels.
- Pan supports dishwasher safe: clean without effort in the dishwasher.
- Design co-ordinated control dials: easily access dials in front with strong grip for effortless turning.
- Ignition via control dials: just push and turn the dials to ignite the flame.

Burners and power

- 2 burner hob
- Center front: Standard burner up to 1.9 KW (depending on gas type)
- Center rear: High speed burner up to 2.8 KW (depending on gas type)

Safety

- Flame failure safety device: prevents unwanted gas flow when flame goes out.

Installation (gas types & measurements)

- Usable for: Nat gas L/LL G25/20mbar(DE)
- NG H/E 20mbar, E+ 20/25mbar Natural gas H 25 mbar (HU) Natural gas L 25 mbar (NL) Liquid gas G30,31 28-30/37mbar Liquid gas G30 37 mbar (PL) Liquid gas 50 mbar
- Factory set for connection to mains gas
- Nozzle set for LPG jets (28-30/37mbar) included. Nozzles for all other gas types can be ordered via the customer service. For nozzle change, please contact the customer service.
- Dimensions of the product (HxWxD mm): 47 x 306 x 546
- Required niche size for installation (HxWxD mm) : 45 x 270 x (490 - 502)
- Min. worktop thickness: 30 mm
- Power cord: 1 m
- Connected load: 4.7 KW

N 90, DOMINO GAS HOB, 30 CM, CERAMIC, BLACK
N23TS29N0

Dimensioned drawings

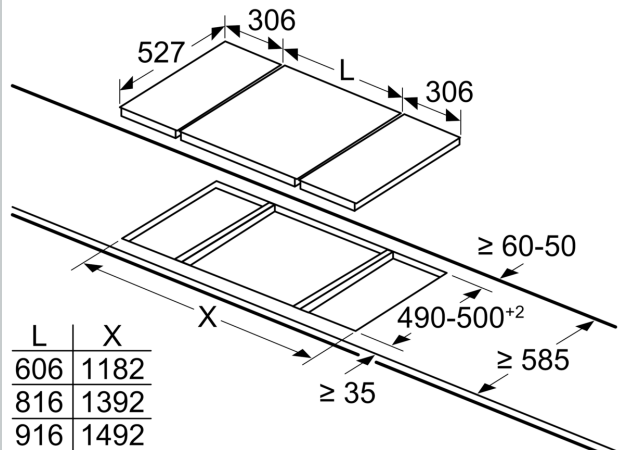
measurements in mm
Domino combination options with
corresponding appliance and cut-out dimensions

Width category:
Appliance width:

	A	B	C	D	L	X		
2x30	306	306	-	-	-	-	612	576
1x30, 1x40	306	396	-	-	-	-	702	666
1x30, 1x60	306	606	-	-	-	-	912	876
1x30, 1x70*	306	708	-	-	-	-	1014	980
1x30, 1x80	306	826	-	-	-	-	1132	1086
1x30, 1x90	306	918	-	-	-	-	1224	1186
2x40	396	396	-	-	-	-	792	756
1x40, 1x60	396	606	-	-	-	-	1002	966
1x40, 1x70*	396	708	-	-	-	-	1104	1070
1x40, 1x80	396	826	-	-	-	-	1222	1176
1x40, 1x90	396	918	-	-	-	-	1314	1276
3x30	306	306	306	-	-	-	918	882
2x30, 1x40	306	306	396	-	-	-	1008	972
2x30, 1x60	306	306	606	-	-	-	1218	1182
2x30, 1x70*	306	306	708	-	-	-	1320	1286
2x30, 1x80	306	306	826	-	-	-	1438	1392
2x30, 1x90	306	306	918	-	-	-	1530	1492
1x30, 2x40	306	396	396	-	-	-	1098	1062
1x30, 1x40, 1x60	306	396	606	-	-	-	1308	1272
1x30, 1x40, 1x70*	306	396	708	-	-	-	1410	1376
1x30, 1x40, 1x80	306	396	826	-	-	-	1528	1482
1x30, 1x40, 1x90	306	396	918	-	-	-	1620	1582
2x40, 1x60	396	396	606	-	-	-	1398	1362
4x30	306	306	306	306	-	-	1224	1188
3x30, 1x40	306	306	306	396	-	-	1314	1278
1x30, 1x75	306	750	-	-	-	-	1056	1020
1x40, 1x75	396	750	-	-	-	-	1146	1110
2x30, 1x75	306	306	750	-	-	-	1362	1326
1x30, 1x40, 1x75	306	396	750	-	-	-	1452	1416

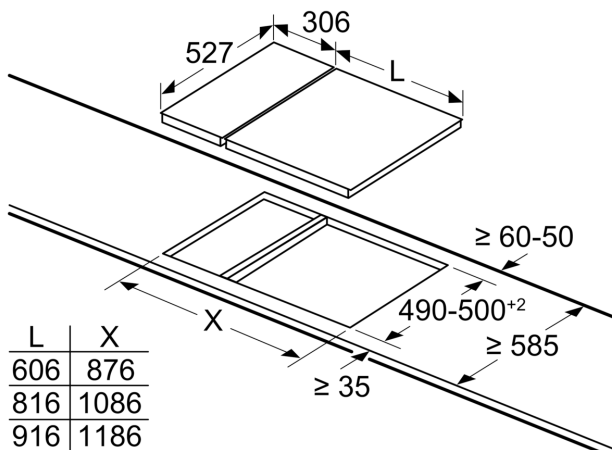
* Not possible with 70 cm induction hob

measurements in mm



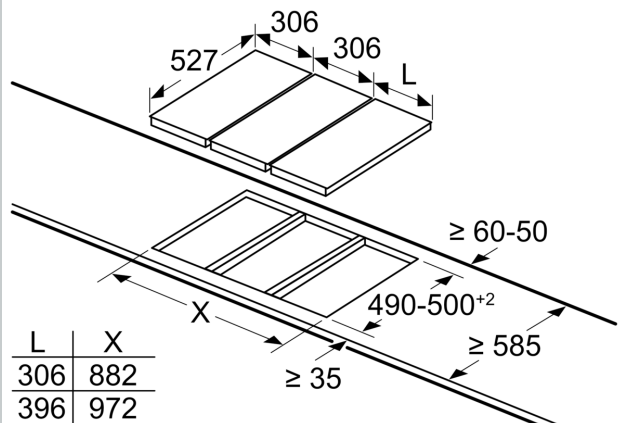
When installing two Domino units right next to a hob, two assembly kits (HEZ394301) are required.

measurements in mm



When installing a Domino unit right next to a hob, an assembly kit (HEZ394301) is required.

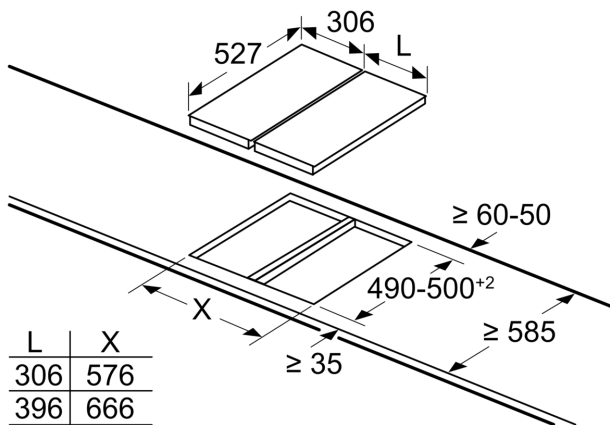
measurements in mm



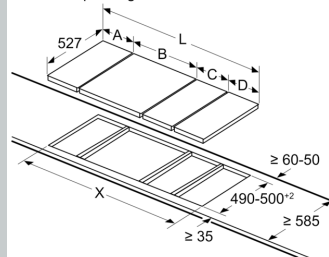
When installing two or more Domino units side-by-side, one or more assembly kits are required (2 units = 1 assembly kit, 3 units = 2 assembly kits, etc.).

Dimensioned drawings

measurements in mm



When installing two or more Domino units side-by-side, one or more assembly kits are required (2 units = 1 assembly kit, 3 units = 2 assembly kits, etc.).

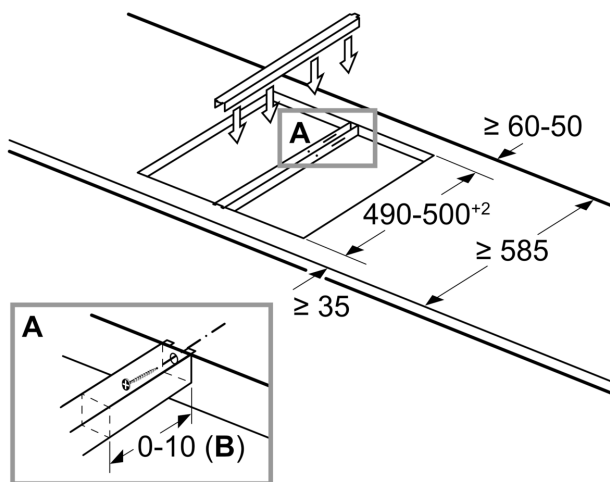
 measurements in mm
 Picture for the table Domino combination possibilities with corresponding devices and cutout dimensions


If two or more elements are installed right next to one another, one or several installation kits are required (2 elements 1 installation kit, 3 elements 2 installation kits, etc.).

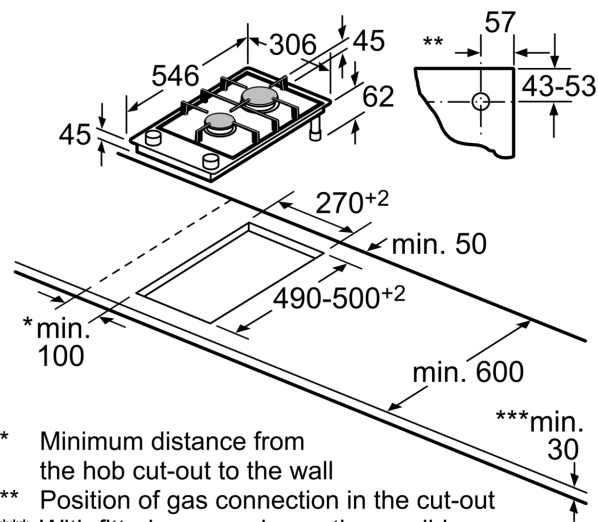
Cutout dimension (X) depending on the combination see table:

measurements in mm

Assembly kit (HEZ394301) for Domino



B: Dependent on the cut-out depth



- * Minimum distance from the hob cut-out to the wall
- ** Position of gas connection in the cut-out
- *** With fitted oven underneath, possibly more; see space requirements for the oven

measurements in mm