

N 90, BUILT-IN WARMING DRAWER, 60 X 14 CM,
 STAINLESS STEEL
 N17HH10NOB



Optional accessories

Z11SZ60X0 SeamlessCombination 45 + 14cm

A 14cm high warming drawer that can link with a 45cm compact oven to fit perfectly into the 60 cm oven niche.

√ Push & Pull – One gentle touch opens and closes your drawer.

Features

Technical Data

Construction type: Built-in
 Maximum number of plates: 12
 Maximum number of espresso cups: 64
 Dimensions: 140 x 596 x 548 mm
 Dimensions of the packed product (HxWxD): . 210 x 660 x 660 mm
 Min. required niche size for installation (HxWxD): . 140 x 560 x 550 mm
 EAN code: 4242004184584
 Fuse protection: 10 A
 Voltage: 220-240 V
 Frequency: 60; 50 Hz
 Plug type: GB plug



*N 90, BUILT-IN WARMING DRAWER, 60 X 14 CM,
STAINLESS STEEL
N17HH10NOB*

Features

Design

- Can accommodate up to:
 - -12 plates
 - -64 espresso cups
- Temperature control in 4 levels: ca. 30°C - 80°C (glass surface temperature)
- Easy to clean toughened glass heating plate
- Elongated designed dials
- Push-Pull opening mechanism

Programmes/functions

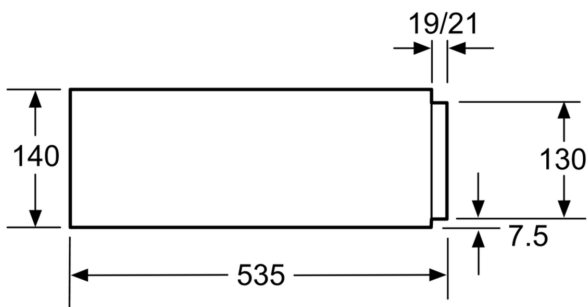
- 5 functions: dough proving thawing of delicate foods keeping drinks and food warm pre-warming of crockery gentle cooking

Technical information

- Cavity volume: 20 l
- Loading up to 25 kg
- Power cord length 150 cm Cable length
- Appliance dimension (hxwxd): 140 mm x 596 mm x 548 mm
- Niche dimension (hxwxd): 140 mm x 560 mm - 568 mm x 550 mm
- Total connected load electric: 0.81 KW
- Please refer to the dimensions provided in the installation manual

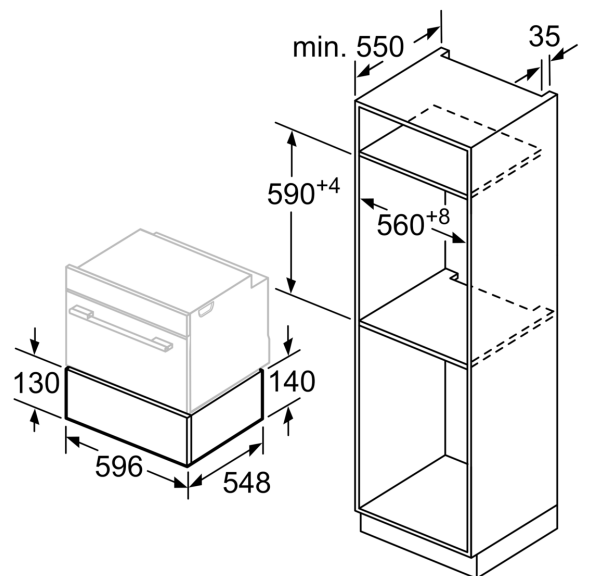
N 90, BUILT-IN WARMING DRAWER, 60 X 14 CM,
 STAINLESS STEEL
 N17HH10NOB

Dimensioned drawings



Compact ovens with an appliance height of 455 mm can be installed above a warming drawer. An intermediate floor is not required.

measurements in mm



measurements in mm