

N 50, BUILT-UNDER FRIDGE WITH FREEZER SECTION, 82 X 60 CM, FLAT HINGE  
 KU2222FDOG



Built-under fridge with 4-star freezer section and Door Alarm for worry-free cooling and freezing where space is limited.

- ✓ Super Cooling – Reduces the temperature for quick chilling, before returning to the regular setting.
- ✓ Our safety glass shelves happily shoulder generous loads of delicacies in your fridge
- ✓ Home Connect – Add your smart fridge to your home network and stay connected to your kitchen.

Features

Technical Data

Energy Efficiency Class: ..... D  
 Average annual energy consumption in kilowatt hour per year (kWh/a): ..... 119 kWh/a  
 Sum of volume of frozen compartments: ..... 17 l  
 Sum of volume of chill compartments: ..... 93 l  
 Airborne acoustical noise emissions : ..... 35 dB(A) re 1 pW  
 Airborne acoustical noise emission class: ..... B  
 Construction type: ..... Built-in  
 Door panel options: ..... Not possible  
 Height: ..... 820 mm  
 Width of the appliance: ..... 598 mm  
 Depth of the product: ..... 548 mm  
 Min. required niche size for installation (HxWxD): .820 x 600 x 550 mm  
 Net weight: ..... 30.4 kg  
 Fuse protection: ..... 10 A  
 Door hinge: ..... Right reversible  
 Voltage: ..... 220-240 V  
 Frequency: ..... 50 Hz  
 Length of electrical supply cord: ..... 230.0 cm  
 Number of compressors: ..... 1  
 Number of independent cooling systems: ..... 1  
 Interior ventilator: ..... No  
 Reversible Door Hinge: ..... Yes  
 Number of Adjustable Shelves in fridge compartment (Stck): 2  
 Shelves for Bottles: ..... No  
 EAN code: ..... 4242004272229  
 Brand: ..... Neff  
 Product name / Commercial code: ..... KU2222FDOG  
 Product category: ..... Refrigerator  
 Frost free system: ..... No  
 Installation type: ..... Built-under  
 Included accessories: ..... 1 x egg tray, 1 x ice cube tray

Included accessories

1 x egg tray, 1 x ice cube tray

Optional accessories

KF10ZAX0 Door panel with decor frame  
 KSZGGM00 Butter box



*N 50, BUILT-UNDER FRIDGE WITH FREEZER  
SECTION, 82 X 60 CM, FLAT HINGE  
KU2222FD0G*

#### Features

- Built-in fridge

#### Performance and Consumption

- EU19\_EEK\_D: D
- Total Volume : 110 l
- Annual Energy Consumption: 119 kWh/a
- Climate Class: SN-T
- Noise Level : 35 dB , EU19\_Noise emission class\_D: B

#### Functions

- LED with Soft Start

#### Design features

- Electronic control (LED chain)
- optical and acoustical
- Home Connect: iService Remote, Remote Monitoring and Control
- Fresh mode
- Super Cooling: automatic deactivation
- Automatic defrost fridge
- Easy clean interior

#### Design features

- Net Fridge Volume : 93 l
- 2 door bins
- Bottle holder in x-deep door tray

#### Freshness System

##### Food freshness system

- 1 hinged freezer compartment
- Net Freezer Volume : 17 l
- Temperature rise time : EU19\_Temperature rise time\_D: 9 H
- EU19\_Fast freezer facility\_D
- Freezing capacity 24h : 3 kg
- Ice box

#### Key features - Fridge section

- Right hinged door, reversible
- can be built under
- Ventilation through plinth
- Length of power cord:230 cm
- 220 - 240 V

#### Dimension and installation

- Niche Dimensions: 82 cm H x 60 cm W x 55 cm D
- Dimensions: 82 cm H x 59.8 cm W x 54.8 cm D

#### Key features - Freezer section

- KU2222FD0G

#### Country Specific Options

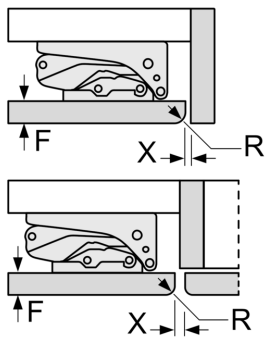
- Based on the results of the standard 24-hour test. Actual consumption depends on usage/position of the appliance.

#### Additional features

N 50, BUILT-UNDER FRIDGE WITH FREEZER  
SECTION, 82 X 60 CM, FLAT HINGE  
KU2222FDOG

## Dimensioned drawings

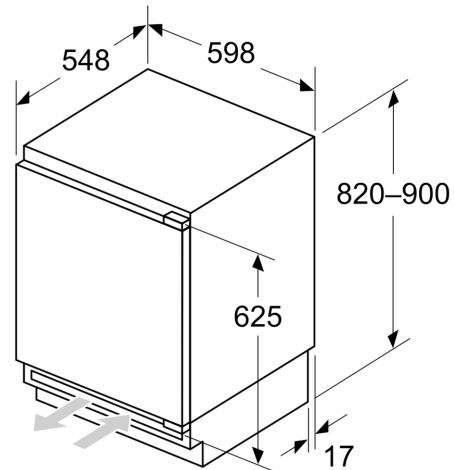
measurements in mm  
Recommended gap dimensions for flat hinges



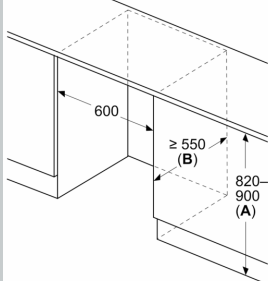
F	R	X
16-19	0-3	2.5
20	0-1	3
	2-3	2.5
21	0-1	3
	2-3	2.5
22	0	4
	1	3.5
	2-3	3

The gap dimensions recommended in the table must be adhered to in order to ensure that appliance doors do not collide with anything when they are opened, and to avoid causing damage to kitchen units.

## Measurements in mm



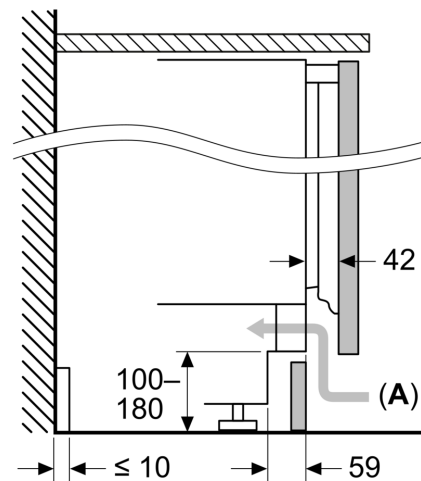
## Measurements in mm



- A: Substructure height
- B:  $\geq 560$  mm (recommended)

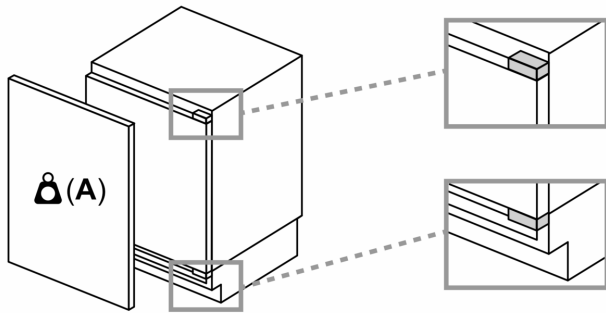
Space for electrical connection next to the appliance on the left or right side

## Measurements in mm



A: Air inlet  $\geq 200$  cm<sup>2</sup>

## Dimensioned drawings

**Maximal permissible weight of the unit fronts**

Fitted unit fronts that exceed the permissible weight may cause damage and result in functional impairment of the hinges

**A:** Weight  $\leq$  12 kg