

N 50, Built-under fridge, 82 x 60 cm, flat hinge
K4316XFF0G



COOKING PASSION SINCE 1877



This undercounter refrigerator keeps fruit and vegetables at their freshest

- ✓ Fresh Safe – Fridge drawer for flexible storage of your fresh fruit and vegetables.
- ✓ Adjustable Glass Shelves – Height adjustable shelves create the space you need for inspiring dishes in your fridge
- ✓ Our safety glass shelves happily shoulder generous loads of delicacies in your fridge
- ✓ LED Light – Illuminate your fridge with long-life LEDs.

Features

Technical Data

Energy Efficiency Class : F
 Average annual energy consumption in kilowatt hour per year (kWh/a) : 114 kWh/a
 Sum of volume of frozen compartments : 0 l
 Sum of volume of chill compartments : 137 l
 Airborne acoustical noise emissions : 38 dB(A) re 1 pW
 Airborne acoustical noise emission class : C
 Construction type : Built-in
 Door panel options : Possible but accessory
 Height : 820 mm
 Width of the appliance : 598 mm
 Depth of the product : 548 mm
 Min. required niche size for installation (HxWxD) : 820 x 600 x 550 mm
 Net weight : 34.0 kg
 Connection rating : 90 W
 Fuse protection : 13 A
 Door hinge : Right reversible
 Voltage : 220-240 V
 Frequency : 50 Hz
 Length of electrical supply cord : 230.0 cm
 Number of compressors : 1
 Number of independent cooling systems : 1
 Interior ventilator : No
 Reversible Door Hinge : Yes
 Number of Adjustable Shelves in fridge compartment (Stck) : 2
 Shelves for Bottles : Yes
 EAN code : 4242004239765
 Brand : Neff
 Product name / Commercial code : K4316XFF0G
 Product category : Refrigerator
 Frost free system : No
 Installation type : Built-under
 Included accessories : 1 x egg tray



4 242004 239765

N 50, Built-under fridge, 82 x 60 cm, flat hinge
K4316XFF0G

Features

- Fully integrated

Functions

- Ventilation through plinth
- Easy clean interior

Design features

- Mechanical control
- Single cooling circuit
- Automatic defrost fridge

Design features

- 3 safety glass shelves in fridge compartment of which 2 are height adjustable
- Full width pull out drawer
- 1 removable door storage compartments.
- Bottle holder in x-deep door tray
- Bright interior LED fridge light

Freshness System

- 2 vegetable/salad containers

Key features - Fridge section

- Height adjustable feet in the front
- Right hinged door, reversible
- Connection value 90 W
- 220 - 240 V

Dimension and installation

- Niche Dimensions: 82 cm H x 60 cm W x 55 cm D
- Dimensions: 82 cm H x 59.8 cm W x 54.8 cm D

Key features - Freezer section

- K4316XFF0G

Included accessories

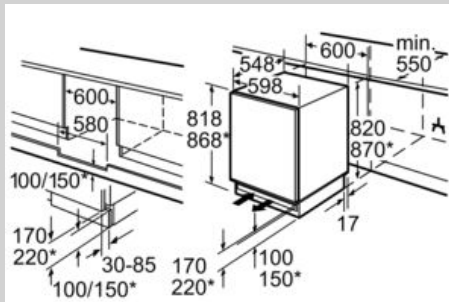
- KSGG0MZ0, KU1213Z0

Performance and Consumption

- Based on the results of the standard 24-hour test. Actual consumption depends on usage/position of the appliance.
- EU19_EEK_D: F
- Total Volume : 137 l
- Annual Energy Consumption: 114 kWh/a
- Climate Class: SN-ST
- Noise Level : 38 dB , EU19_Noise emission class_D: C

N 50, Built-under fridge, 82 x 60 cm, flat hinge
K4316XFF0G

Dimensioned drawings

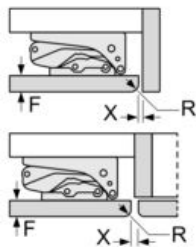


* variable base/substructure height

Space for electrical connection next to the appliance on the left or right-hand side.
Ventilation space in the base.

measurements in mm

measurements in mm
Recommended gap dimensions for flat hinges



	F	R	X
16-19	0-3	2.5	
	20	0-1	3
21	2-3	2.5	
	21	0-1	3
22	2-3	2.5	
	22	0	4
		1	3.5
	2-3	3	

The gap dimensions recommended in the table must be adhered to in order to ensure that appliance doors do not collide with anything when they are opened, and to avoid causing damage to kitchen units.

Maximal permissible weight of the unit fronts

Fitted unit fronts that exceed the permissible weight may cause damage and result in functional impairment of the hinges.

Δ Weight

A: Appliance door height including hinges in mm

B: Undamped hinge, unit front in kg

C: Damped hinge, unit front in kg

D: Additional possible load in kg with heavy load kit

A	B	C	D
1500-1750	22	22	
720-1400	19	19	B+5 / C+5
A1	15	19	
A2	15	19	