

# KTR90XE

Product family	Hood
Hood Type	Chimney Cooker Hoods
Design	Chimney
Extraction	Ducted out or re-circulation possible
Material	Stainless steel
Type of steel	Brushed
EAN code	8017709211684
Hood width	90 cm



## Aesthetics

Aesthetics	Victoria	Finishing	Brushed
Colour	Stainless steel	Logo	Applied

## Controls

Control setting	Control knobs	Control knobs	Victoria
No. of controls	2	Controls colour	Steel effect

## Programs / Functions

No. of speeds	3
Intensive speed	

## Technical Features

			
No. of lights	2	No. of filters	3
Light type	LED	Anti-grease filters	Aluminium
Light power	1 W	Vent outlet	150 mm
Light colour	3000 °K	Minimum distance from GAS hob	750 mm
Free outlet maximum capacity	820 m <sup>3</sup> /h	Minimum distance from ELECTRIC hob	650 mm
Motor power	275 W	Non return valve	Yes

	Extraction rate IEC 61591 [m³/h]	Noise level IEC 60704-2-13 [dB(A)]
Speed 1	334	49
Speed 2	439	57
Speed 3	567	61
Intensive speed	788	69

## Performance / Energy Label



Annual Efficiency Consumption (AEChood)	59 KWh/year	Airbourne acoustical A-weighted sound Power Emission at minimum speed (SPEmin)	49 dB(A)
Energy efficiency class (EEC)	A	Airborne acoustical A-weighted sound Power Emission at maximum speed (SPEmax)	61 dB(A)
Fluid Dynamic Efficiency (FDE)	30	Airbourne acoustical A-weighted sound power emission at boost speed (SPEboost)	69 dB(A)
Fluid Dynamic Efficiency class (FDEC)	A	Time increase factor (F)	1,00
Lighting Efficiency (LE)	102,3 lux/W	Energy Efficiency Index per first cavity	52,4
Lighting Efficiency Class (LEC)	A	Measured air flow rate at best efficiency point (Qbep)	438 m³/h
Grease Filtering Efficiency (GFE)	76,6 %	Measured air pressure at best efficiency point (Qbep)	434 Pa
Grease Filtering Efficiency Class (GFEC)	C	Measured electric power input at best efficiency point (Wbep)	176 W
Air flow at mininum speed (Qmin)	334 m³/h	Normal Power of the light system (WI)	2 W
Maximum extraction rate	567 m³/h	Average illumination of the light on the cooking surface (Emiddle)	225 lux
Intensive extraction rate	788 m³/h	Sound power level at highest setting (Lwa)	61 dB(A)

## Electrical Connection

Nominal power	278 W	Frequency (Hz)	50-60 Hz
Voltage	220-240 V	Power supply cable length	1000 mm

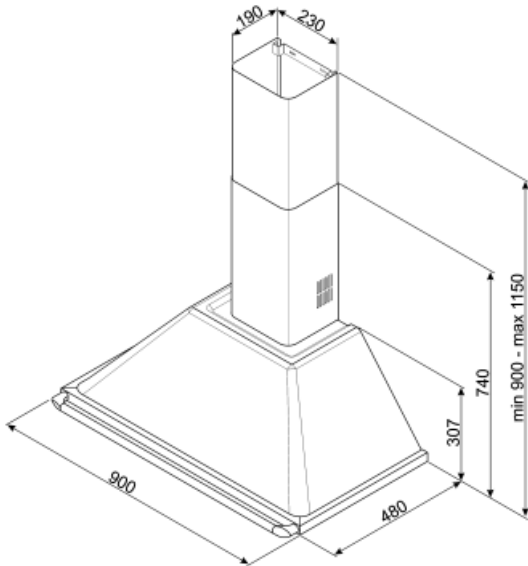
## Also available

Alternative colours available

White, Black, Cream

Available colours

KT90BE - KT90BLE - KT90PE



---

## Not included accessories

---



### FLT6

Round Charcoal filters (kit 2 pieces)



### KITALLFC

Universal Charcoal filter Stainless Steel AISI 304 The filter can be washed in dishwasher 50 °C (water and suitable detergent) and to dry it put in the oven 180°C 25 minutes



### KITCMNKXU

Chimney extension dimension 227.5 \* 190 \* 800 Victoria hood Stainless Steel

---

## Symbols glossary

---



**Filters:** Model has filters to help remove grease from the steam emanating from the pans during cooking.



**Lights:** All cooker hoods feature lights to illuminate the cooking area or add to the ambience of the kitchen.



**A:** Product drying performance, measured from A+++ to D / G depending on the product family



**Intensive/turbo setting:** when extra fast extraction is required.