

**Series 2, Built-in fridge-freezer with freezer at bottom, 193.5 x 54.1 cm, sliding hinge KIN96NSE0**



**Optional accessories**

- KSZB6R00 Bottle Rack
- KSZGGM00 Butter box

**The extra large built-in fridge freezer with 12% more cooling volume including Multi Box XXL drawer for fruit and vegetables, No Frost and error warning signal for optimal storage.**

- **Big capacity:** with just a little more space in your kitchen, you can get lots more space in your fridge.
- **NoFrost:** never defrost again, thanks to perfect protection from ice formation - that saves time and effort.
- **An audible alarm system signals the door is open**
- **LED lighting: keep your groceries in perfect view.**
- **2 cooling circuits: separately controllable refrigerator and freezer compartments - prevents odour transfer.**

**Technical Data**

Energy Efficiency Class: .....	E
Average annual energy consumption in kilowatt hour per year (kWh/a): .....	231 kWh/annum
Sum of volume of frozen compartments: .....	75 l
Sum of volume of chill compartments: .....	215 l
Airborne acoustical noise emissions : .....	34 dB(A) re 1 pW
Airborne acoustical noise emission class: .....	B
Installation type: .....	Built-in
Door panel options: .....	Not possible
Height: .....	1935 mm
Width of the appliance: .....	541 mm
Depth of the product: .....	548 mm
Min. required niche size for installation (HxWxD): ..	1940 x 560 x 550 mm
Net weight: .....	54.9 kg
Fuse protection: .....	10 A
Door hinge: .....	Right reversible
Voltage: .....	220-240 V
Frequency: .....	50 Hz
Length of electrical supply cord: .....	230.0 cm
Number of compressors: .....	1
Number of independent cooling systems: .....	2
Interior ventilator: .....	No
Reversible Door Hinge: .....	Yes
Number of Adjustable Shelves in fridge compartment (Stck): .....	4
Shelves for Bottles: .....	No
Frost free system: .....	Freezer
Installation type: .....	Integrated



## **Series 2, Built-in fridge-freezer with freezer at bottom, 193.5 x 54.1 cm, sliding hinge KIN96NSE0**

- Niche Dimensions: 194 cm H x 56 cm W x 55 cm D
- Length of power cord: 230 cm

### **Country Specific Options**

**The extra large built-in fridge freezer with 12% more cooling volume including Multi Box XXL drawer for fruit and vegetables, No Frost and error warning signal for optimal storage.**

#### **Design features**

- Built-in fridge-freezer
- Right hinged door, door reversible
- Height adjustable front feet
- Bright interior LED fridge light in fridge section
- Separate, electronic temperature control with LED display

#### **Functions**

- Automatic defrost fridge
- NO\_FROST\_NEU\_BL, never have to defrost ever again
- Two separate cooling circuits allow independent temperature control and prevents the transference of humidity between the fridge and freezer cavity
- Super Cooling: automatic deactivation
- Optical and accoustical

#### **Food freshness system**

- 1 MultiBox - Transparent drawer with a rippled bottom, ideal for storing fruits and vegetables.

#### **Key features - Fridge section**

- 5 safety glass shelves in fridge compartment of which 4 are height adjustable
- Door shelves in fridge door: 1 large and 3 small.

#### **Key features - Freezer section**

- 3 freezer drawers

#### **Additional features**

- 3 x egg tray, 1 x ice cube tray

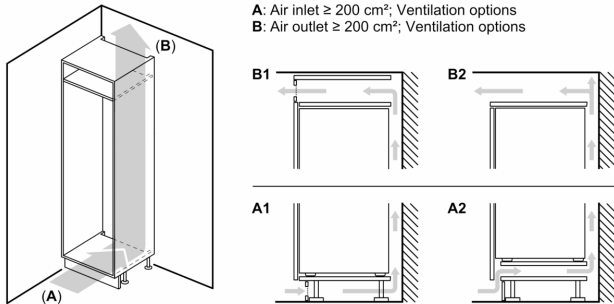
#### **Performance and Consumption**

- Climate Class: SN-ST
- Total Volume : 290 l
- Net Fridge Volume : 215 l
- Net Freezer Volume : 75 l
- Annual Energy Consumption: 231 kWh/a
- Noise Level : 34 dB , EU19\_Noise emission class\_D: B
- Temperature rise time : EU19\_Temperature rise time\_D: 10 H
- Freezing capacity 24h : 7.5 kg
- 220 - 240 V
- EU19\_EEK\_D: E
- EU19\_Fast freezer facility\_D
- Based on the results of the standard 24-hour test. Actual consumption depends on usage/position of the appliance.

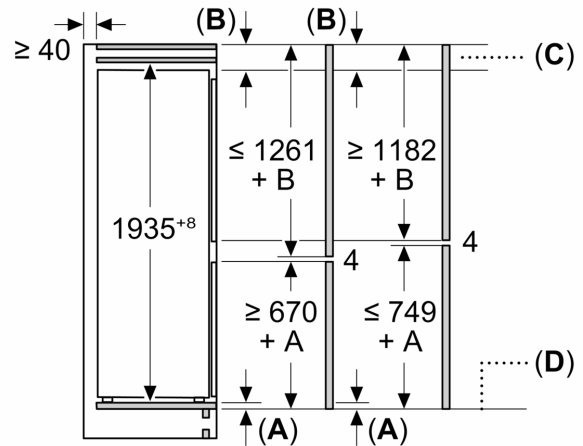
#### **Dimension and installation**

- Dimensions: 193.5 cm H x 54.1 cm W x 54.8 cm D

**Series 2, Built-in fridge-freezer with  
freezer at bottom, 193.5 x 54.1 cm,  
sliding hinge  
KIN96NSE0**



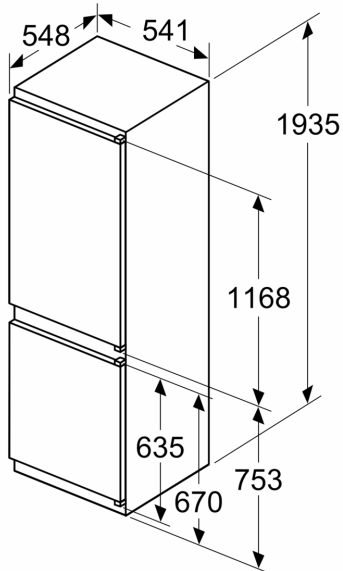
**Measurements in mm**



**C: Front panel overhang**

**D: Lower edge of front panel**

**Measurements in mm**



**Measurements in mm**

