

Series 2, Built-in fridge-freezer with freezer at bottom, 177.2 x 54.1 cm, sliding hinge KIN85NSF0G



The spacious built-in fridge-freezer combination with NoFrost provides optimal food storage and ice formation is no longer an issue.

- **Eco Airflow:** maintains optimal air circulation and a constant temperature level throughout the cooling area.
- **LED lighting:** all your items in perfect view.
- **Super Freezing function:** prevents the food in your freezer from defrosting.
- **NoFrost:** never defrost again, thanks to perfect protection from ice formation - that saves time and effort.

Technical Data

Energy Efficiency Class:	F
Average annual energy consumption in kilowatt hour per year (kWh/a):	298 kWh/annum
Sum of volume of frozen compartments:	99 l
Sum of volume of chill compartments:	150 l
Airborne acoustical noise emissions :	39 dB(A) re 1 pW
Airborne acoustical noise emission class:	C
Built-in / Free-standing:	Built-in
Door panel options:	Not possible
Height:	1772 mm
Width of the appliance:	541 mm
Depth:	548 mm
Min. required niche size for installation (HxWxD): 1775.0 x 560 x 550 mm	
Net weight:	50.9 kg
Fuse protection:	10 A
Door hinge:	Right reversible
Voltage:	220-240 V
Frequency:	50 Hz
Length electrical supply cord:	230.0 cm
Number of compressors:	1
Number of independent cooling systems:	1
Interior ventilator:	No
Reversible Door Hinge:	Yes
Number of Adjustable Shelves in fridge compartment:	2
Shelves for Bottles:	No
Frost free system:	Freezer
Installation typology:	Integrated



Optional accessories

- KSZB6R00 Bottle Rack
- KSZGGM00 Butter box



Series 2, Built-in fridge-freezer with freezer at bottom, 177.2 x 54.1 cm, sliding hinge KIN85NSFOG

The spacious built-in fridge-freezer combination with NoFrost provides optimal food storage and ice formation is no longer an issue.

- Freezing capacity 24h : 5.5 kg
- Annual Energy Consumption: 298 kWh/a
- Noise Level : 39 dB , EU19_Noise emission class_D: C
- Climate Class: SN-ST
- Temperature rise time : EU19_Temperature rise time_D: 10 H

- EU19_Fast freezer facility_D

Design features

- NoFrost freezer, Built-in fridge-freezer
- Sliding hinge, softClosing door: No
- Easy Installation

Functions

- Bright interior LED fridge light in fridge section

Design features

- LED electronic control
- 1 compressor
- Super Cooling: No
- Optical and accoustical

Design features

- 2 door trays, including 0x dairy compartment

Freshness System

- 1 MultiBox - Transparent drawer with a rippled bottom, ideal for storing fruits and vegetables.

Food freshness system

- NO_FROST_NEU_BL, never have to defrost ever again
- SuperFreezing function with automatic deactivation

Dimension and installation

- Dimensions: 177.2 cm H x 54.1 cm W x 54.8 cm D
- Niche Dimensions: 177.5 cm H x 56 cm W x 55 cm D

Key features - Fridge section

- Right hinged door, door reversible
- 220 - 240 V

Key features - Freezer section

- KIN85NSFOG
- bottle holder in door tray

Country Specific Options

- Based on the results of the standard 24-hour test. Actual consumption depends on usage/position of the appliance.

Additional features

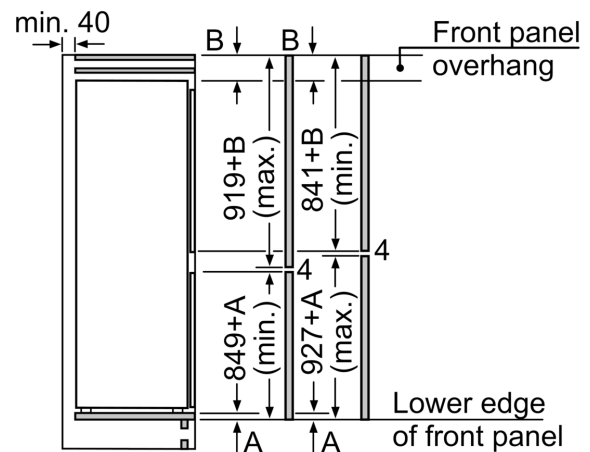
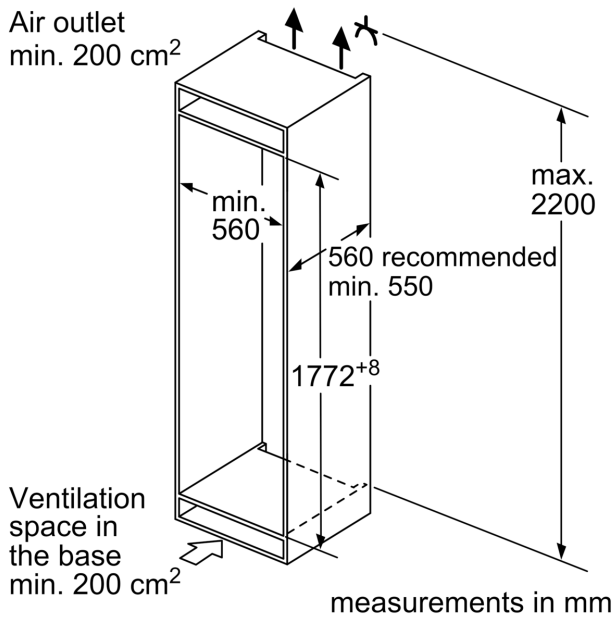
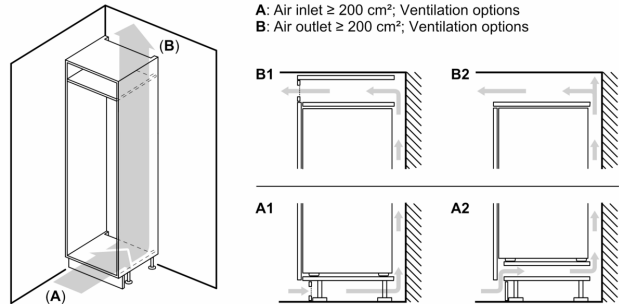
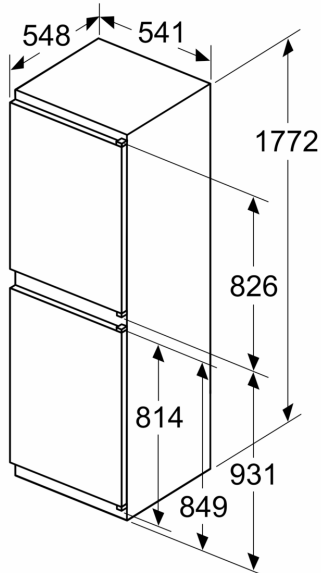
- 3 safety glass shelves in fridge compartment of which 2 are height adjustable
- 4 freezer drawers

Performance and Consumption

- EU19_EEK_D: F
- Total Volume : 249 l
- Net Fridge Volume : 150 l
- Net Freezer Volume : 99 l

**Series 2, Built-in fridge-freezer with
freezer at bottom, 177.2 x 54.1 cm,
sliding hinge
KIN85NSF0G**

measurements in mm



The specified unit door dimensions
are valid for a door gap of 4 mm.

measurements in mm