

N 90, Built-in fridge, 177.5 x 56 cm, soft close flat hinge
K18816DE0



COOKING PASSION SINCE 1877



The built-in fridge with FreshSafe 3 and BottleFlex Shelf keeps food fresher for longer and offers a lot of extra storage options.

- ✓ Fresh Safe 3 Plus 0°C – Climate-controlled drawers for optimal storage of all your fresh foods.
- ✓ Easy Access Shelf – Slides out to give you better access to fridge contents.
- ✓ VarioShelf: The glass shelf can be divided and one half pushed beneath the other, for flexible interior configurations.
- ✓ Adjustable Glass Shelves – Height adjustable shelves create the space you need for inspiring dishes in your fridge
- ✓ Our safety glass shelves happily shoulder generous loads of delicacies in your fridge

Features

Technical Data

Energy Efficiency Class : E

Average annual energy consumption in kilowatt hour per year (kWh/a) : 150 kWh/a

Sum of volume of frozen compartments : 0 l

Sum of volume of chill compartments : 289 l

Airborne acoustical noise emissions : 37 dB(A) re 1 pW

Airborne acoustical noise emission class : C

Construction type : Built-in

Door panel options : Not possible

Height : 1772 mm

Width of the appliance : 558 mm

Depth of the product : 545 mm

Min. required niche size for installation (HxWxD) : 1775.0 x 560 x 550 mm

Net weight : 69.9 kg

Connection rating : 90 W

Fuse protection : 10 A

Door hinge : Right reversible

Voltage : 220-240 V

Frequency : 50 Hz

Length of electrical supply cord : 230.0 cm

Number of compressors : 1

Number of independent cooling systems : 1

Interior ventilator : No

Reversible Door Hinge : Yes

Number of Adjustable Shelves in fridge compartment (Stck) : 5

Shelves for Bottles : No

EAN code : 4242004247661

Brand : Neff

Product name / Commercial code : K18816DE0

Product category : Refrigerator

Frost free system : No

Installation type : Full-integrated

Included accessories : 2 x egg tray, 1 x bottle holder in door tray



4 242004 247661

N 90, Built-in fridge, 177.5 x 56 cm, soft close flat hinge
KI8816DE0

Features

Functions

- LED with Soft Start in fridge section
- Interior design with metal applications

Design features

- LED Electronic control
- Automatic defrost fridge
- Super Cooling: automatic deactivation
- Acoustic door open warning indicator

Design features

- 7 safety glass shelves of which Non-adjustable bottom shelf, Easy Access shelf
- BottleFlex Shelf
- 5 door trays, including 1x dairy compartment

Freshness System

- Capacity in 0° C section: 83 l
- 1 FreshSafe 3 0°C drawer with humidity control for optimal freshness; food stays fresh for longer due to two climate zones.
- 2 FreshSafe 3 0°C drawers for optimal freshness; food stays fresh for longer due to two climate zones.

Dimension and installation

- Dimensions: 177.2 cm H x 55.8 cm W x 54.5 cm D
- Niche Dimensions: 177.5 cm H x 56 cm W x 55 cm D

Key features - Fridge section

- Right hinged door, reversible
- Connection value 90 W
- 220 - 240 V

Key features - Freezer section

- 2 x egg tray, 1 x bottle holder in door tray

Included accessories

- KS0B0SZ0, KS1860Z0, KS9E0FZ0, KSGG0MZ0

Country Specific Options

- Based on the results of the standard 24-hour test. Actual consumption depends on usage/position of the appliance.

Design features

Dimension and installation

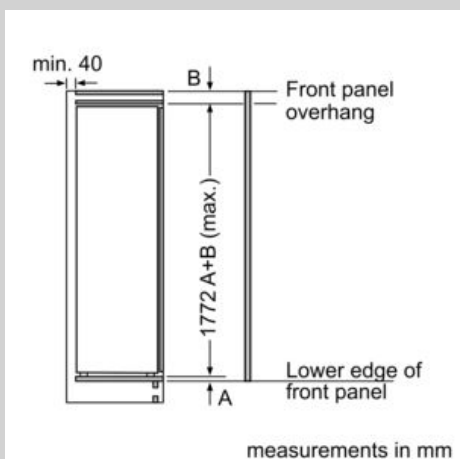
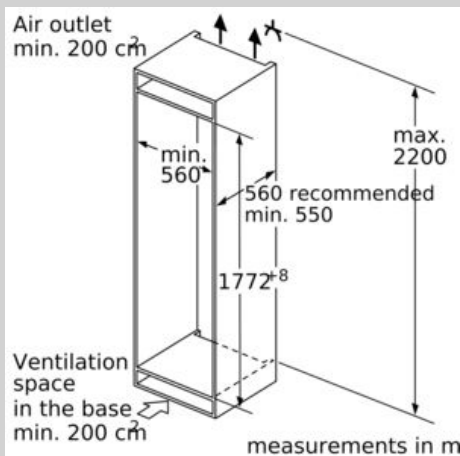
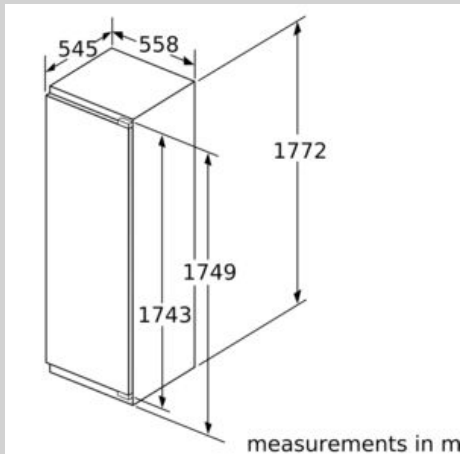
Additional features

Performance and Consumption

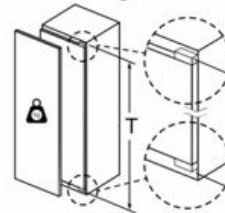
- EU19_EEK_D: E
- Total Volume : 289 l
- Net Fridge Volume : 289 l
- Net Freezer Volume : 0 l
- Annual Energy Consumption: 150 kWh/a
- Climate Class: SN-ST
- Noise Level : 37 dB , EU19_Noise emission class_D: C

N 90, Built-in fridge, 177.5 x 56 cm, soft close flat hinge
KI8816DE0

Dimensioned drawings



Maximal permissible weight of the unit fronts

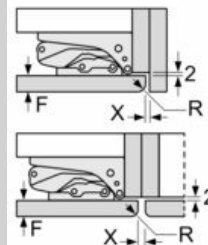


Fitted kitchen unit doors that exceed the permissible weight may cause damage and result in functional impairment of the hinges.

T: Includes height of appliance door Hinges in mm:	undamped hinge, Door in kg:	damped hinge, Door in kg:
1500-1750	22	22

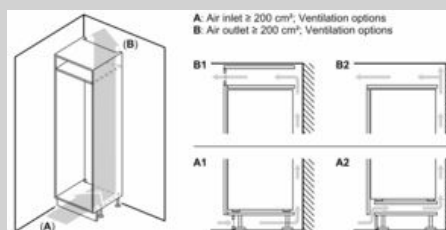
measurements in mm

Recommended gap dimensions for flat hinges



F	R	X
16-19	0-3	2.5
20	0-1	3
	2-3	2.5
21	0-1	3
	2-3	2.5
22	0	4
	1	3.5
	2-3	3

The gap dimensions recommended in the table must be adhered to in order to ensure that appliance doors do not collide with anything when they are opened, and to avoid causing damage to kitchen units.



N 90, Built-in fridge, 177.5 x 56 cm, soft close flat hinge
 KI8816DE0

Dimensioned drawings

Maximal permissible weight of the unit fronts

Fitted unit fronts that exceed the permissible weight may cause damage and result in functional impairment of the hinges

Weight
 ▲ Appliance door height including hinges in mm

B: Undamped hinge, unit front in kg
C: Damped hinge, unit front in kg
D: Additional possible load in kg with heavy load kit

A	B	C	D
1500-1750	22	22	
720-1400	19	19	B+5 / C+5
A1	15	19	
A2	15	19	