

N 90, BUILT-IN FRIDGE, 177.5 X 56 CM, SOFT CLOSE
FLAT HINGE
KI88150D0



Included accessories

1 x bottle holder in door tray, 1 x Heavy-duty hinge support

Optional accessories

KS1860Z0 Wire Shelf
KSGG0MZ0 Butter box

The built-in fridge with FreshSafe 3 and BottleFlex Shelf keeps food fresher for longer and offers a lot of extra storage options.

- ✓ Door Open Assist – Push-to-open mechanism of your fully integrated fridge
- ✓ Home Connect – Add your smart fridge to your home network and stay connected to your kitchen.
- ✓ Fresh Safe 3 – Climate-controlled drawers for optimal fresh food storage.
- ✓ Soft Close – Enjoy the silence. The door softly closes itself when at an angle of 20 degrees.
- ✓ Flex Cooling – Flexible storage boxes to adjust cooling to your daily needs.

Features

Technical Data

Energy Efficiency Class: D
 Average annual energy consumption in kilowatt hour per year (kWh/a): 120 kWh/a
 Sum of volume of frozen compartments: 0 l
 Sum of volume of chill compartments: 289 l
 Airborne acoustical noise emissions : 36 dB(A) re 1 pW
 Airborne acoustical noise emission class: C
 Built-in / Free-standing: Built-in
 Door panel options: Not possible
 Height: 1772 mm
 Width of the appliance: 558 mm
 Depth: 545 mm
 Min. required niche size for installation (HxWxD): .. 1775.0 x 560 x 550 mm
 Net weight: 72.1 kg
 Connection Rating: 90 W
 Fuse protection: 10 A
 Door hinge: Right reversible
 Voltage: 220-240 V
 Frequency: 50 Hz
 Length electrical supply cord: 230.0 cm
 Number of compressors: 1
 Number of independent cooling systems: 1
 Interior ventilator: No
 Reversible Door Hinge: Yes
 Number of Adjustable Shelves in fridge compartment: 5
 Shelves for Bottles: Yes
 EAN code: 4242004269090
 Brand: Neff
 Product name / Commercial code: KI88150D0
 Product category: Refrigerator
 Frost free system: No
 Installation typology: Full-integrated
 Included accessories: 1 x bottle holder in door tray, 1 x Heavy-duty hinge support



*N 90, BUILT-IN FRIDGE, 177.5 X 56 CM, SOFT CLOSE
FLAT HINGE
KI88150D0*

Features

- Built-in fridge
- Easy Installation

Performance and Consumption

- EU19_EEK_D: D
- Total Volume : 289 l
- Net Fridge Volume : 289 l
- Net Freezer Volume : 0 l
- Annual Energy Consumption: 120 kWh/a
- Climate Class: SN-T
- EU19_Fast freezer facility_D
- Noise Level : 36 dB , EU19_Noise emission class_D: C

Functions

- LED with Soft Start in fridge section
- Interior design with metal applications

Design features

- Fixed hinge, SoftClose door - dampens door movement, for smooth and effortless closure
- LED Electronic control
- Automatic defrost fridge
- Super Cooling: automatic deactivation
- Acoustic door open warning indicator

Design features

- 7 safety glass shelves of which Non-adjustable bottom shelf, Easy Access shelf
- BottleFlex Shelf
- 1 removable door storage compartments.
- 1 door bins

Freshness System

- Capacity in 0° C section: 83 l
- 1 FreshSafe 3 0°C drawer with humidity control for optimal freshness; food stays fresh for longer due to two climate zones.
- 2 FreshSafe 3 0°C drawers for optimal freshness; food stays fresh for longer due to two climate zones.

Dimension and installation

- Dimensions: 177.2 cm H x 55.8 cm W x 54.5 cm D
- Niche Dimensions: 177.5 cm H x 56 cm W x 55 cm D

Key features - Fridge section

- Flex Cooling
- Right hinged door, reversible
- Connection value 90 W
- 220 - 240 V

Key features - Freezer section

- Heavy-duty hinge support, 1 x bottle holder in door tray

Included accessories

- KS1860Z0, KSGG0MZ0

Country Specific Options

- Based on the results of the standard 24-hour test. Actual consumption depends on usage/position of the appliance.

Design features

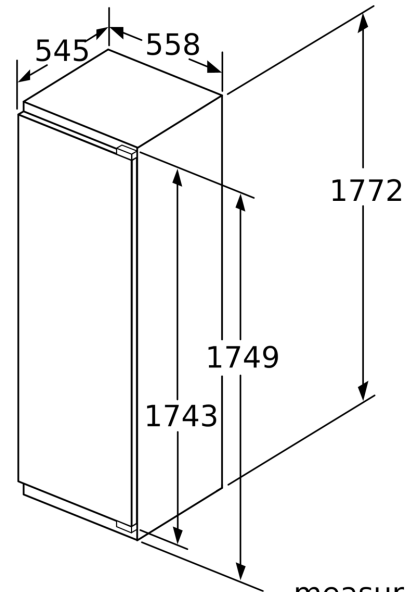
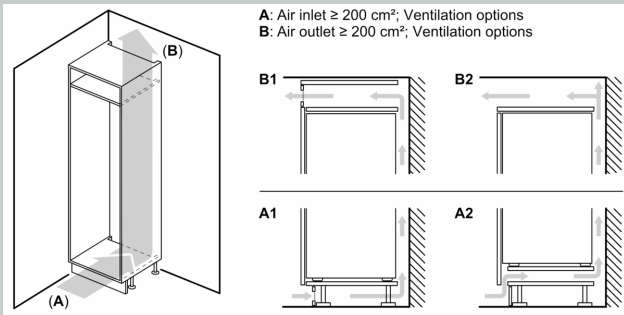
Dimension and installation

Additional features

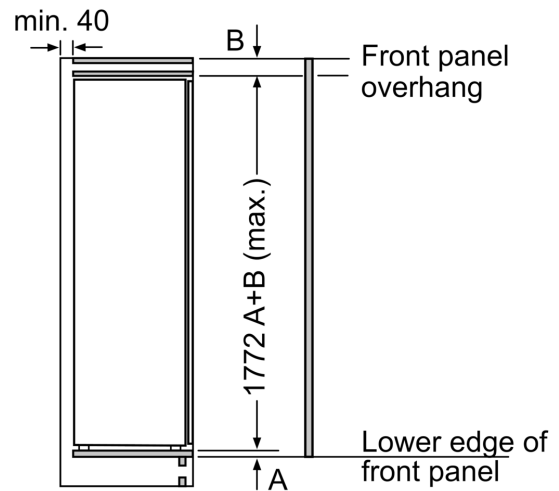
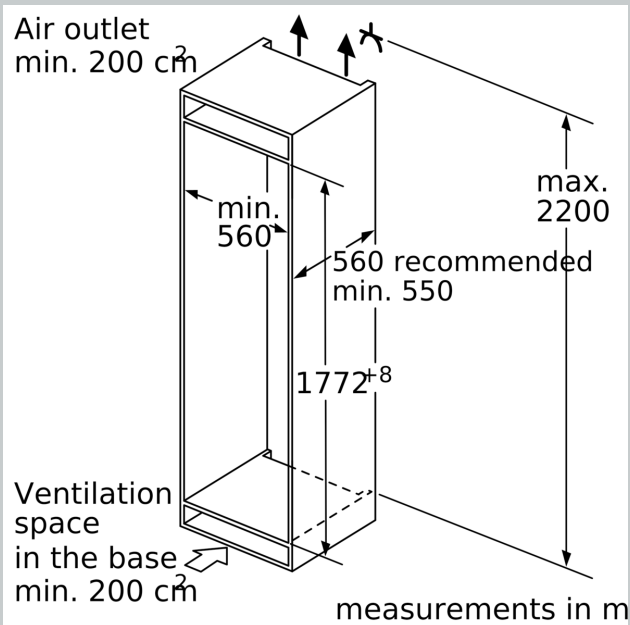
- Length of power cord:230 cm

N 90, BUILT-IN FRIDGE, 177.5 X 56 CM, SOFT CLOSE
FLAT HINGE
KI88150D0

Dimensioned drawings



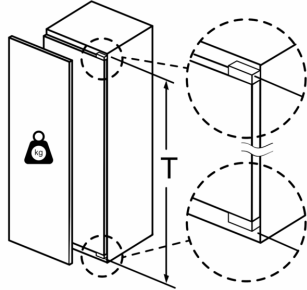
measurements in m



measurements in mm

Dimensioned drawings

Maximal permissible weight of the unit fronts

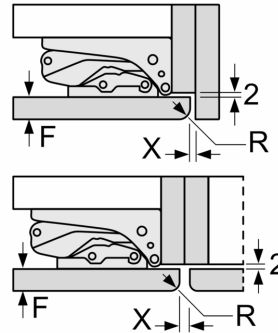


Fitted kitchen unit doors that exceed the permissible weight may cause damage and result in functional impairment of the hinges.

T: Includes height of appliance door Hinges in mm:	undamped hinge, Door in kg:	damped hinge, Door in kg:
1500-1750	22	22

measurements in mm

Recommended gap dimensions for flat hinges



F	R	X
16-19	0-3	2.5
20	0-1	3
	2-3	2.5
21	0-1	3
	2-3	2.5
22	0	4
	1	3.5
	2-3	3

The gap dimensions recommended in the table must be adhered to in order to ensure that appliance doors do not collide with anything when they are opened, and to avoid causing damage to kitchen units.