

N 50, BUILT-IN FRIDGE, 177.5 X 56 CM, FLAT HINGE
K1812FEOG



The spacious built-in fridge with Fresh Safe drawer for fruit and vegetables and plenty of flexible storage options.

- ✓ Bottle Flex Shelf – A bottle holder and shelf in one.
- ✓ Adjustable Glass Shelves – Height adjustable shelves create the space you need for inspiring dishes in your fridge
- ✓ Our safety glass shelves happily shoulder generous loads of delicacies in your fridge
- ✓ LED Light – Pleasant illumination for the entire fridge, with long-life LEDs.
- ✓ Super Cooling – Reduces the temperature for quick chilling, before returning to the regular setting.

Features

Technical Data

Energy Efficiency Class:E
 Average annual energy consumption in kilowatt hour per year (kWh/a): 114 kWh/a
 Sum of volume of frozen compartments: 0 l
 Sum of volume of chill compartments: 310 l
 Airborne acoustical noise emissions : 35 dB(A) re 1 pW
 Airborne acoustical noise emission class: B
 Construction type: Built-in
 Door panel options: Not possible
 Height: 1772 mm
 Width of the appliance: 541 mm
 Depth of the product: 548 mm
 Min. required niche size for installation (HxWxD): .. 1775.0 x 560 x 550 mm
 Net weight: 51.9 kg
 Fuse protection: 10 A
 Door hinge: Right reversible
 Voltage: 220-240 V
 Frequency: 50 Hz
 Length of electrical supply cord: 230.0 cm
 Number of compressors: 1
 Number of independent cooling systems: 1
 Interior ventilator: Yes
 Reversible Door Hinge: Yes
 Number of Adjustable Shelves in fridge compartment (Stck): 5
 Shelves for Bottles: No
 EAN code: 4242004271949
 Brand: Neff
 Product name / Commercial code: K1812FEOG
 Product category: Refrigerator cabinet
 Frost free system: No
 Installation type: Full-integrated
 Included accessories: 3 x egg tray, 1 x Heavy-duty hinge support

Included accessories

3 x egg tray, 1 x Heavy-duty hinge support

Optional accessories

KSGG0MZ0 Butter box



N 50, BUILT-IN FRIDGE, 177.5 X 56 CM, FLAT HINGE
K1812FE0G

Features

- Fixed hinge, softClosing door: No

Performance and Consumption

- EU19_EEK_D: E
- Total Volume : 310 l
- Annual Energy Consumption: 114 kWh/a
- Noise Level : 35 dB , EU19_Noise emission class_D: B

Functions

- Bright interior LED fridge light

Design features

- Electronic control (LED chain)
- optical and acoustical
- Super Cooling: automatic deactivation
- Automatic defrost fridge
- Easy clean interior

Design features

- Net Fridge Volume : 310 l
- 6 safety glass shelves in fridge compartment of which 5 are height adjustable
- 5 door bins

Freshness System

- 2 vegetable/salad containers

Key features - Fridge section

- Right hinged door, reversible
- integrated
- Ventilation through plinth
- Length of power cord:230 cm
- Climate Class: SN-ST
- 220 - 240 V

Dimension and installation

- Niche Dimensions: 177.5 cm H x 56 cm W x 55 cm D

Key features - Freezer section

- K1812FE0G

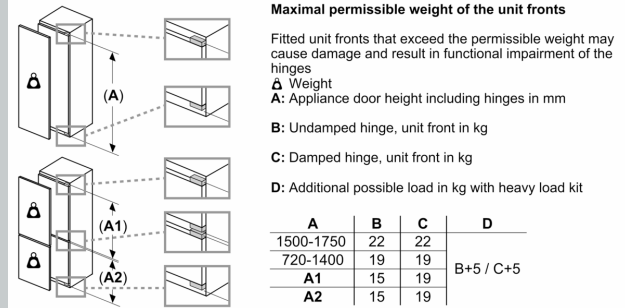
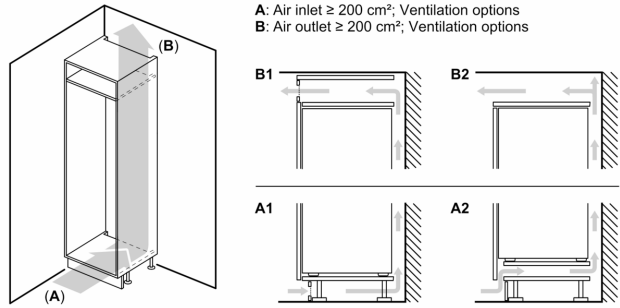
Country Specific Options

- Based on the results of the standard 24-hour test. Actual consumption depends on usage/position of the appliance.

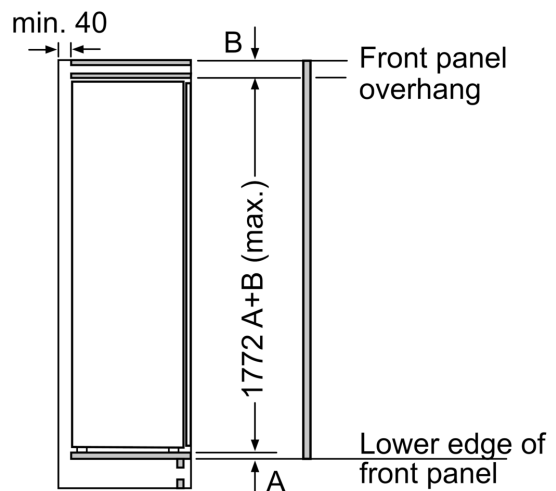
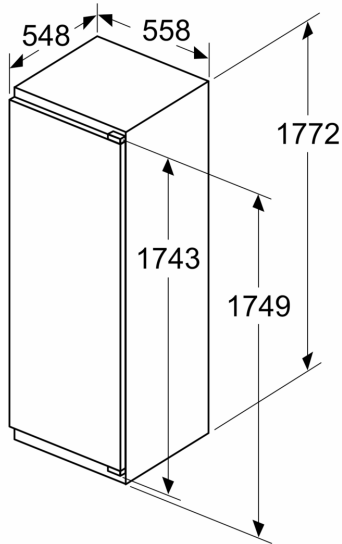
Additional features

N 50, BUILT-IN FRIDGE, 177.5 X 56 CM, FLAT HINGE
K1812FE0G

Dimensioned drawings

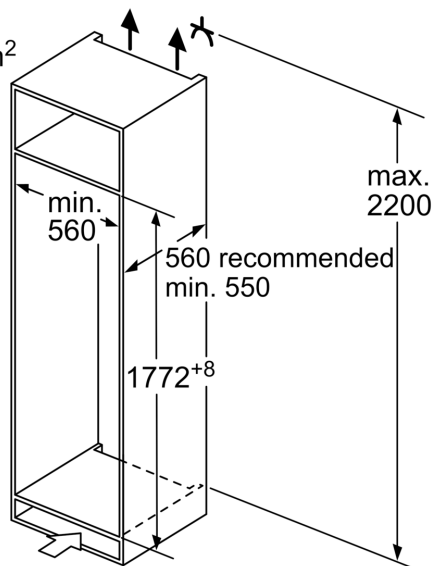


Measurements in mm



measurements in mm

Air outlet
min. 200 cm^2

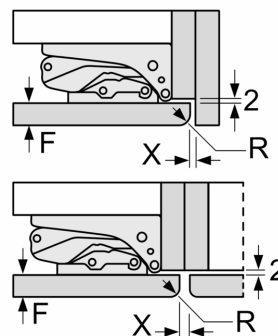


Ventilation space
in the base
min. 200 cm^2

measurements in mm

measurements in mm

Recommended gap dimensions for flat hinges



F	R	X
16-19	0-3	2.5
20	0-1	3
	2-3	2.5
21	0-1	3
	2-3	2.5
22	0	4
	1	3.5
	2-3	3

The gap dimensions recommended in the table must be adhered to in order to ensure that appliance doors do not collide with anything when they are opened, and to avoid causing damage to kitchen units.