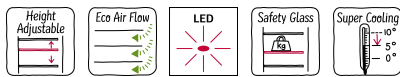


N 50, BUILT-IN FRIDGE, 122.5 X 56 CM, FLAT HINGE  
K11412FE0G



This built-in refrigerator keeps food at its freshest thanks to the ideal air circulation Eco Air Flow and flexible storage options.

- ✓ Adjustable Glass Shelves – Height adjustable shelves create the space you need for inspiring dishes in your fridge
- ✓ Eco Air Flow – Even air circulation for constant temperatures and fast cooling.
- ✓ LED Light – Pleasant illumination for the entire fridge, with long-life LEDs.
- ✓ Our safety glass shelves happily shoulder generous loads of delicacies in your fridge
- ✓ Super Cooling – Reduces the temperature for quick chilling, before returning to the regular setting.

### Features

#### Technical Data

Energy Efficiency Class: .....	E
Average annual energy consumption in kilowatt hour per year (kWh/a): .....	101 kWh/a
Sum of volume of frozen compartments: .....	0 l
Sum of volume of chill compartments: .....	204 l
Airborne acoustical noise emissions : .....	35 dB(A) re 1 pW
Airborne acoustical noise emission class: .....	B
Built-in / Free-standing: .....	Built-in
Door panel options: .....	Possible but accessory
Height: .....	1221 mm
Width of the appliance: .....	541 mm
Depth: .....	548 mm
Min. required niche size for installation (HxWxD): ..	1225.0 x 560 x 550 mm
Net weight: .....	39.3 kg
Fuse protection: .....	10 A
Door hinge: .....	Right reversible
Voltage: .....	220-240 V
Frequency: .....	50 Hz
Length electrical supply cord: .....	230.0 cm
Number of compressors: .....	1
Number of independent cooling systems: .....	1
Interior ventilator: .....	No
Reversible Door Hinge: .....	Yes
Number of Adjustable Shelves in fridge compartment: .....	4
Shelves for Bottles: .....	No
EAN code: .....	4242004267515
Brand: .....	Neff
Product name / Commercial code: .....	K11412FE0G
Product category: .....	Refrigerator
Frost free system: .....	No
Installation typology: .....	Full-integrated
Included accessories: .....	2 x egg tray

#### Included accessories

2 x egg tray

#### Optional accessories

KSGG0MZO	Butter box
KF1413S0	Door panel with decor frame
KF1413Z0	Door panel with decor frame
KS6B0RZ0	Bottle Rack



## N 50, BUILT-IN FRIDGE, 122.5 X 56 CM, FLAT HINGE K11412FEOG

### Features

- K11412FEOG
- Fixed hinge, softClosing door: No

### Performance and Consumption

- EU19\_EEK\_D: E
- Total Volume : 204 l
- Net Fridge Volume : 204 l
- Net Freezer Volume : 0 l
- Annual Energy Consumption: 101 kWh/a
- Climate Class: SN-ST
- EU19\_Fast freezer facility\_D
- Noise Level : 35 dB , EU19\_Noise emission class\_D: B

### Functions

- integrated
- Fixed hinge
- Bright interior LED fridge light in fridge section
- Easy clean interior

### Design features

- Electronic control (LED chain)
- Automatic defrost fridge
- Single cooling circuit

### Additional features

- Bright interior LED fridge light
- 4 safety glass shelves in fridge compartment of which 4 are height adjustable
- 1 removable door storage compartments.

### Freshness System

- 1 FreshSafe drawer- The ideal place to store your fruit and vegetables safely.

### Dimension and installation

- Niche Dimensions: 122.5 cm H x 56 cm W x 55 cm D
- Dimensions: 122.1 cm H x 54.1 cm W x 54.8 cm D
- Right hinged door, reversible
- 220 - 240 V

### Key features - Freezer section

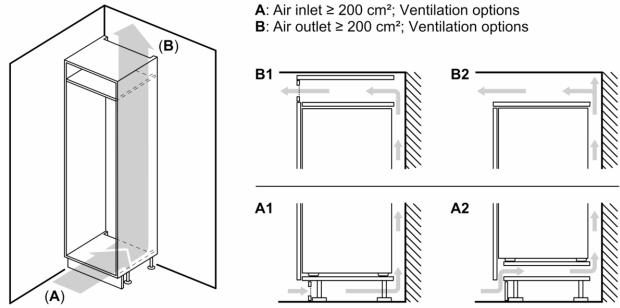
- Ice box

### Country Specific Options

- Based on the results of the standard 24-hour test. Actual consumption depends on usage/position of the appliance.

N 50, BUILT-IN FRIDGE, 122.5 X 56 CM, FLAT HINGE  
K17412FEOG

Dimensioned drawings



**Maximal permissible weight of the unit fronts**

Fitted unit fronts that exceed the permissible weight may cause damage and result in functional impairment of the hinges

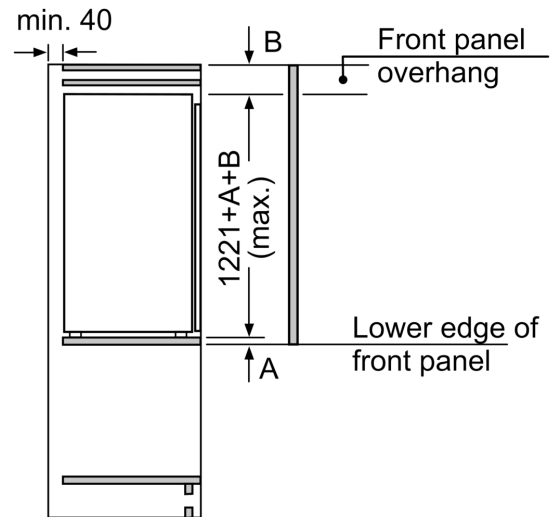
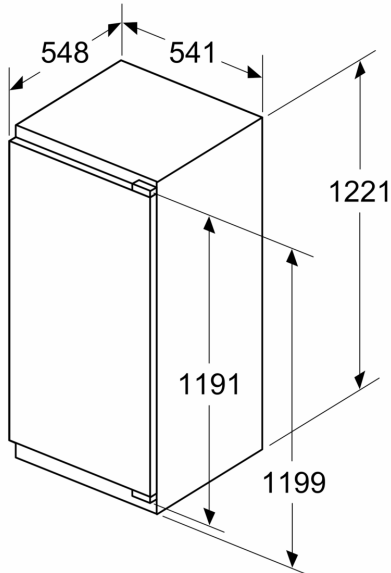
$\Delta$  Weight  
A: Appliance door height including hinges in mm

B: Undamped hinge, unit front in kg  
C: Damped hinge, unit front in kg

D: Additional possible load in kg with heavy load kit

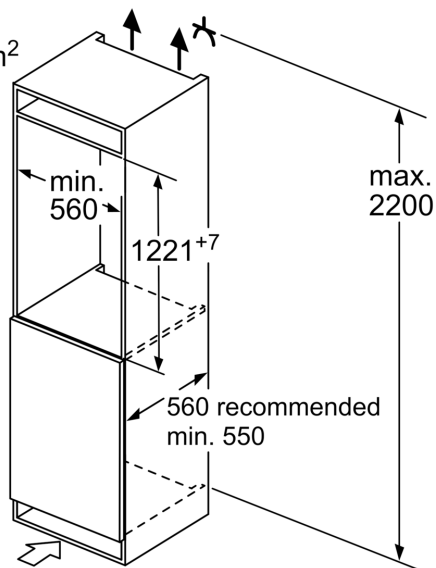
A	B	C	D
1500-1750	22	22	
720-1400	19	19	B+5 / C+5
A1	15	19	
A2	15	19	

Measurements in mm



measurements in mm

Air outlet  
min.  $200 \text{ cm}^2$

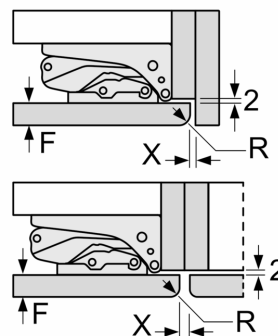


Ventilation space in the base  
min.  $200 \text{ cm}^2$

measurements in mm

measurements in mm

Recommended gap dimensions for flat hinges



F	R	X
16-19	0-3	2.5
20	0-1	3
	2-3	2.5
21	0-1	3
	2-3	2.5
22	0	4
	1	3.5
	2-3	3

The gap dimensions recommended in the table must be adhered to in order to ensure that appliance doors do not collide with anything when they are opened, and to avoid causing damage to kitchen units.