

N 30, BUILT-IN FRIDGE, 122.5 X 56 CM, SLIDING HINGE
K11411SE0



This built-in refrigerator keeps food at its freshest thanks to the ideal air circulation Eco Air Flow.

- ✓ Adjustable Glass Shelves – Height adjustable shelves create the space you need for inspiring dishes in your fridge
- ✓ Our safety glass shelves happily shoulder generous loads of delicacies in your fridge
- ✓ Eco Air Flow – Even air circulation for constant temperatures and fast cooling.
- ✓ LED Light – Pleasant illumination for the entire fridge, with long-life LEDs.

Features

Technical Data

Energy Efficiency Class:	E
Average annual energy consumption in kilowatt hour per year (kWh/a):	101 kWh/a
Sum of volume of frozen compartments:	0 l
Sum of volume of chill compartments:	204 l
Airborne acoustical noise emissions :	35 dB(A) re 1 pW
Airborne acoustical noise emission class:	B
Construction type:	Built-in
Door panel options:	Not possible
Height:	1221 mm
Width of the appliance:	541 mm
Depth of the product:	548 mm
Min. required niche size for installation (HxWxD): ..	1225.0 x 560 x 550 mm
Net weight:	38.1 kg
Fuse protection:	10 A
Door hinge:	Right reversible
Voltage:	220-240 V
Frequency:	50 Hz
Length of electrical supply cord:	230.0 cm
Number of compressors:	1
Number of independent cooling systems:	1
Interior ventilator:	No
Reversible Door Hinge:	Yes
Number of Adjustable Shelves in fridge compartment (Stck):	4
Shelves for Bottles:	No
EAN code:	4242004264644
Brand:	Neff
Product name / Commercial code:	K11411SE0
Product category:	Refrigerator cabinet
Frost free system:	No
Installation type:	Full-integrated
Included accessories:	3 x egg tray

Included accessories

3 x egg tray

Optional accessories

KS6B0RZ0 Bottle Rack
KSGG0MZ0 Butter box



N 30, BUILT-IN FRIDGE, 122.5 X 56 CM, SLIDING
HINGE
K17411SEO

Features

- Built-in fridge
- easy Installation
- Sliding hinge, softClosing door: No

Performance and Consumption

- EU19_EEK_D: E
- Total Volume : 204 l
- Net Fridge Volume : 204 l
- Net Freezer Volume : 0 l
- Annual Energy Consumption: 101 kWh/a
- Climate Class: SN-ST
- EU19_Fast freezer facility_D
- Noise Level : 35 dB , EU19_Noise emission class_D: B

Functions

- Bright interior LED fridge light in fridge section

Design features

- Electronic control (LED chain)
- Super Cooling: automatic deactivation
- 5 safety glass shelves in fridge compartment of which 4 are height adjustable
- 1 removable door storage compartments.
- 4 door bins

Freshness System

- 1 FreshSafe drawer- The ideal place to store your fruit and vegetables safely.

Dimension and installation

- Dimensions: 122.1 cm H x 54.1 cm W x 54.8 cm D
- Niche Dimensions: 122.5 cm H x 56 cm W x 55 cm D
- 220 - 240 V

Key features - Fridge section

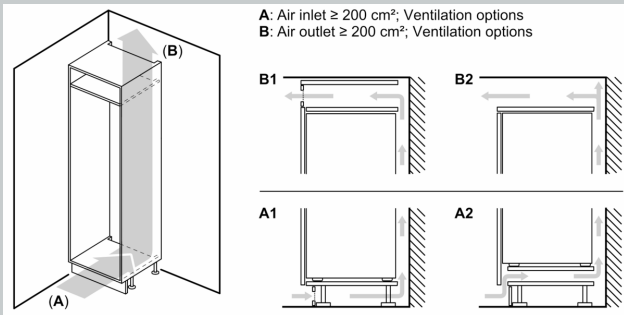
- 2 x egg tray

Country Specific Options

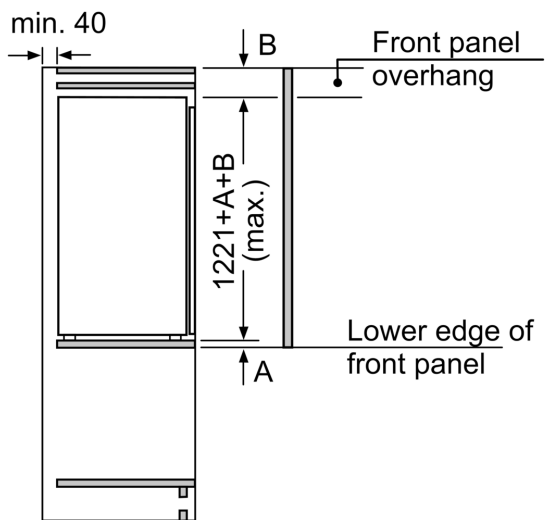
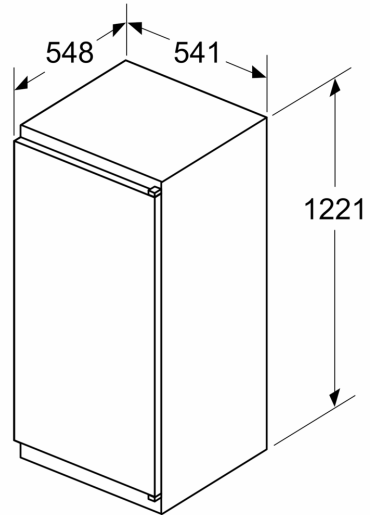
- Based on the results of the standard 24-hour test. Actual consumption depends on usage/position of the appliance.

N 30, BUILT-IN FRIDGE, 122.5 X 56 CM, SLIDING HINGE
K11411SEO

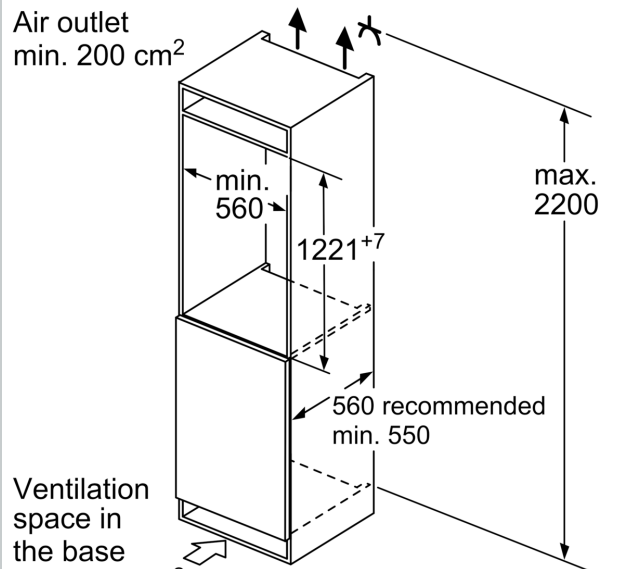
Dimensioned drawings



Measurements in mm



measurements in mm



measurements in mm