

**Series 6, French door bottom freezer, multi door, 183 x 90.5 cm, Black stainless steel KFN96AXEA**



**This multi door refrigerator with VitaFresh Box: cools very efficiently - thanks to the cooling compartment, your fruits and vegetables stay fresh longer.**

- **VitaFresh XXL Pro near 0°C:** climate-controlled compartments lock in freshness and nutrients for longer.
- **Metal Backwall with Multi Airflow:** evenly circulates cool, fresh air to maintain consistent temperatures.
- **XXL capacity:** extra space for your food when you need it.
- **NoFrost:** you'll never have to defrost your fridge-freezer again.
- **LED lights bring a completely new lighting concept to fridges**

**Technical Data**

Energy Efficiency Class: .....	E
Average annual energy consumption in kilowatt hour per year (kWh/a): .....	333 kWh/annum
Sum of volume of frozen compartments: .....	200 l
Sum of volume of chill compartments: .....	405 l
Airborne acoustical noise emissions : .....	38 dB(A) re 1 pW
Airborne acoustical noise emission class: .....	C
Installation type: .....	Freestanding
Door panel options: .....	Not possible
Height: .....	1830 mm
Width of the appliance: .....	905 mm
Depth of the product: .....	731 mm
Net weight: .....	120.1 kg
Fuse protection: .....	10 A
Door hinge: .....	Left & Right
Voltage: .....	220-240 V
Frequency: .....	50-60 Hz
Length of electrical supply cord: .....	240.0 cm
Number of compressors: .....	1
Number of independent cooling systems: .....	1
Interior ventilator: .....	Yes
Reversible Door Hinge: .....	No
Number of Adjustable Shelves in fridge compartment (Stck): .....	3
Shelves for Bottles: .....	No
Frost free system: .....	Fridge and freezer
Installation type: .....	Free-standing



## **Series 6, French door bottom freezer, multi door, 183 x 90.5 cm, Black stainless steel KFN96AXEA**

**This multi door refrigerator with VitaFresh Box: cools very efficiently - thanks to the cooling compartment, your fruits and vegetables stay fresh longer.**

### **Performance and Consumption**

- EU19\_EEK\_D: E
- Total Volume : 605 l
- Net Fridge Volume : 405 l
- Net Freezer Volume : 200 l
- Freezing capacity 24h : 13 kg
- Annual Energy Consumption: 333 kWh/a
- Climate Class: SN-T
- EU19\_Fast freezer facility\_D
- Noise Level : 38 dB , EU19\_Noise emission class\_D: C
- Temperature rise time : EU19\_Temperature rise time\_D: 15 H

### **Functions**

- Standard door black inox-antifingerprint
- Bright interior LED fridge light in fridge section
- White glossy back wall
- Interior design with metal applications

### **Design features**

- Electronic control for fridge and freezer with LED display
- Super Cooling: automatic deactivation
- Automatic defrost fridge
- optical, acoustic for Fridge and Freeze
- Freezer malfunction warning signal: optical, acoustical

### **Design features**

- MultiAirflow system - improves circulation of air around the fridge
- 4 safety glass shelves of which 3 are height adjustable, Standard shelf 2 shelves extendable
- Home Connect: iService Remote, Remote Monitoring and Control with Wi-Fi connectivity
- NO\_FROST\_NEU\_BL, never have to defrost ever again

### **Freshness System**

- 1 VitaFresh drawer - Fish and meat stay fresh for longer
- 1 CrisperBox - vegetable/salad container with humidity control

### **Food freshness system**

- 6 freezer drawers
- 1 ice cube tray
- No Frost

### **Dimension and installation**

- Dimensions: 183 cm H x 90.5 cm W x 73.1 cm D

### **Key features - Fridge section**

- Door shelves in fridge door: 2 large and 2 small.
- 1 dairy compartment in door
- 4 safety glass shelves (3 height adjustable)

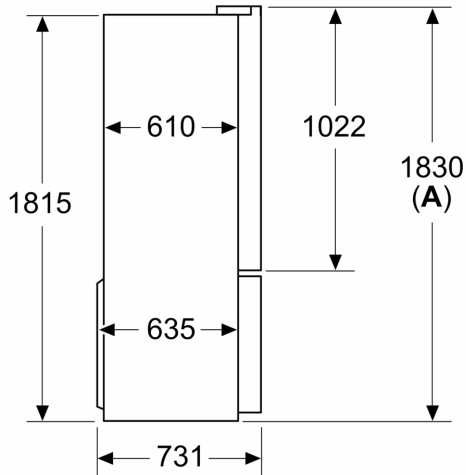
- 2 removable door storage compartments.
- Bright interior LED fridge light
- Metal backwall
- Wi-Fi connectivity
- 4 wheels for easier transport, 3 of them height adjustable.
- 220 - 240 V

### **Key features - Freezer section**

- Freezer malfunction warning signal: Acoustic Warning System
- Net 4\* compartment volume : 200 l
- 3 x egg tray, 1 x ice cube tray
- Based on the results of the standard 24-hour test. Actual consumption depends on usage/position of the appliance.
- To achieve the declared energy consumption, the distanceholders have to be used. As a result, the appliance depth increases by about 3.5 cm. The appliance used without the distance holder is fully functional, but has a slightly higher energy consumption.

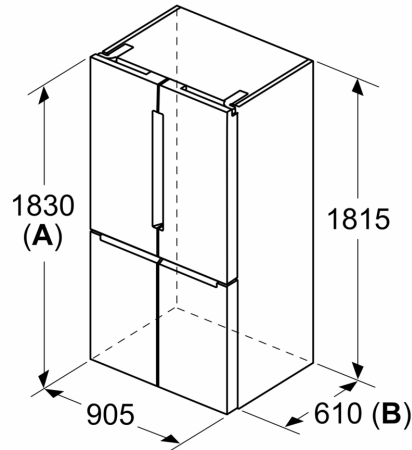
**Series 6, French door bottom  
freezer, multi door, 183 x 90.5 cm,  
Black stainless steel  
KFN96AXEA**

measurements in mm



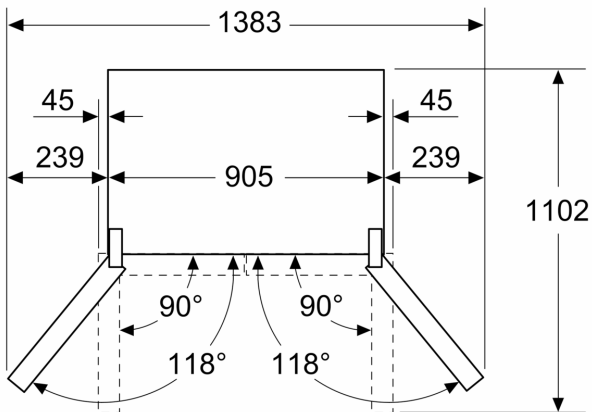
**A:** Front is adjustable from 1830 to 1847, with front levelling feet fully extended

measurements in mm

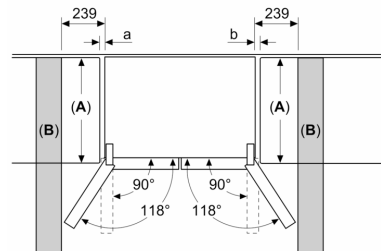


**A:** Front is adjustable from 1830 to 1847, with front levelling feet fully extended  
**B:** Add 25 for fixed spacers on back

Measurements in mm



Measurements in mm



A	a	b
≤ 600	0	0
600 < A ≤ 650	45	45
650 < A ≤ 700	60	60
> 700	239	239

**A:** Kitchen cabinet or worktop depth

**B:** Wall  
Drawers can be pulled and taken out with door open to 90°