

Series 6, French door bottom freezer, multi door, 183 x 90.5 cm, Inox-easyclean KFN96APEAG



This multi door refrigerator with VitaFresh Box: cools very efficiently - thanks to the cooling compartment, your fruits and vegetables stay fresh longer.

- **Connectivity:** Remotely monitor and control your fridge from your smartphone or tablet.
- **Metal backwall with MultiAirflow:** evenly circulates cool, fresh air to maintain consistent temperatures.
- **NoFrost:** you'll never have to defrost your fridge-freezer again.
- **VitaFresh XXL Pro near 0°C:** climate-controlled compartments lock in freshness and nutrients for longer.
- **XXL capacity:** extra space for your food when you need it.

Technical Data

Energy Efficiency Class:	E
Average annual energy consumption in kilowatt hour per year (kWh/a):	333 kWh/annum
Sum of volume of frozen compartments:	200 l
Sum of volume of chill compartments:	405 l
Airborne acoustical noise emissions :	38 dB(A) re 1 pW
Airborne acoustical noise emission class:	C
Installation type:	Freestanding
Door panel options:	Not possible
Height:	1830 mm
Width of the appliance:	905 mm
Depth of the product:	731 mm
Net weight:	118.3 kg
Fuse protection:	10 A
Door hinge:	Left & Right
Voltage:	220-240 V
Frequency:	50-60 Hz
Length of electrical supply cord:	240.0 cm
Number of compressors:	1
Number of independent cooling systems:	1
Interior ventilator:	Yes
Reversible Door Hinge:	No
Number of Adjustable Shelves in fridge compartment (Stck):	3
Shelves for Bottles:	No
No Frost free system:	Fridge and freezer
Installation type:	Free-standing
Hinge type:	Flush-folding



Series 6, French door bottom freezer, multi door, 183 x 90.5 cm, Inox-easyclean KFN96APEAG

This multi door refrigerator with VitaFresh Box: cools very efficiently - thanks to the cooling compartment, your fruits and vegetables stay fresh longer.

- 1 VitaFresh drawer - Fish and meat stay fresh for longer
- 1 CrisperBox - vegetable/salad container with humidity control

Dimension and installation

- 220 - 240 V
- Dimensions: 183 cm H x 90.5 cm W x 73.1 cm D
- 4 wheels for easier transport, 3 of them height adjustable.
- Based on the results of the standard 24-hour test. Actual consumption depends on usage/position of the appliance.
- To achieve the declared energy consumption, the distanceholders have to be used. As a result, the appliance depth increases by about 3.5 cm. The appliance used without the distance holder is fully functional, but has a slightly higher energy consumption.

Performance and Consumption

- EU19_EEK_D: E
- Total Volume : 605 l
- Net Fridge Volume : 405 l
- Net Freezer Volume : 200 l
- Freezing capacity 24h : 13 kg
- Annual Energy Consumption: 333 kWh/a
- Climate Class: SN-T
- EU19_Fast freezer facility_D
- Noise Level : 38 dB , EU19_Noise emission class_D: C
- Temperature rise time : EU19_Temperature rise time_D: 15 H
- No Frost, Free-standing-refrigerator >= 3 door

Design features

- Standard door Stainless Steel EasyClean
- Standard door
- Stainless Steel EasyClean door and chrome inox metallic side panels.
- Interior design with metal applications
- Metal backwall

Key features - Fridge section

- Electronic control for fridge and freezer with LED display
- 4 safety glass shelves of which 3 are height adjustable, Standard shelf 2 shelves extendable
- Door shelves in fridge door: 2 large and 2 small.
- Super Cooling: automatic deactivation
- 1 dairy compartment in door
- Automatic defrost fridge
- Bright interior LED fridge light in fridge section
- 4 safety glass shelves (3 height adjustable)
- 2 removable door storage compartments.
- Sabbath Mode
- optical, Optical and acoustical door open warning

Key features - Freezer section

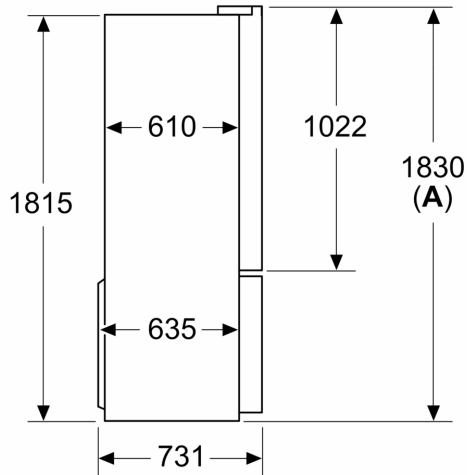
- Bright interior LED fridge light
- 6 freezer drawers
- Net 4* compartment volume : 200 l
- No Frost
- 1 ice cube tray
- Freezer malfunction warning signal: optical, acoustical
- Freezer malfunction warning signal: Acoustic Warning System

Food freshness system

- MultiAirflow system - improves circulation of air around the fridge

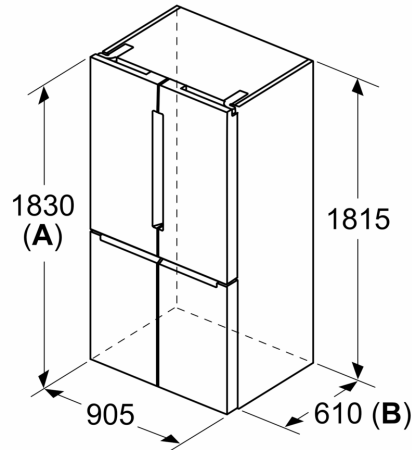
**Series 6, French door bottom
freezer, multi door, 183 x 90.5 cm,
Inox-easyclean
KFN96APEAG**

measurements in mm



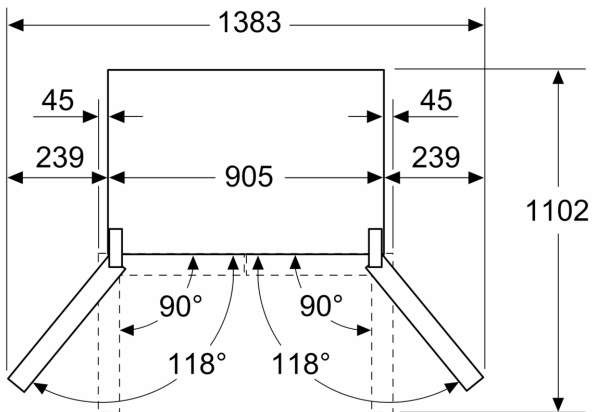
A: Front is adjustable from 1830 to 1847, with front levelling feet fully extended

measurements in mm

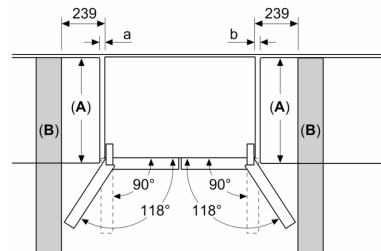


A: Front is adjustable from 1830 to 1847, with front levelling feet fully extended
B: Add 25 for fixed spacers on back

Measurements in mm



Measurements in mm



A	a	b
≤ 600	0	0
600 < A ≤ 650	45	45
650 < A ≤ 700	60	60
> 700	239	239

A: Kitchen cabinet or worktop depth

B: Wall
Drawers can be pulled and taken out with door open to 90°