

N 70, BUILT-IN FRIDGE-FREEZER WITH FREEZER
AT BOTTOM, 193.5 X 70.8 CM, SOFT CLOSE FLAT
HINGE
KB7966DD0G



Optional accessories

KSZGGM00 Butter box

Built-in fridge freezer with flexible storage and XXL space:
flexible storage all over the fridge to daily needs and big boost in
fridge capacity.

- ✓ Home Connect – Add your smart fridge to your home network and stay connected to your kitchen.
- ✓ Fresh Safe 1 – A flexible fridge drawer for your fruit and veg.
- ✓ No Frost – No more defrosting your freezer.
- ✓ Our safety glass shelves happily shoulder generous loads of delicacies in your fridge
- ✓ Super Cooling – Reduces the temperature for quick chilling, before returning to the regular setting.

Features

Technical Data

Energy Efficiency Class:	D
Average annual energy consumption in kilowatt hour per year (kWh/a):	204 kWh/a
Sum of volume of frozen compartments:	98 l
Sum of volume of chill compartments:	284 l
Airborne acoustical noise emissions :	33 dB(A) re 1 pW
Airborne acoustical noise emission class:	B
Construction type:	Built-in
Door panel options:	Not possible
Height:	1935 mm
Width of the appliance:	708 mm
Depth of the product:	548 mm
Min. required niche size for installation (HxWxD):	1940 x 710 x 560 mm
Net weight:	72.8 kg
Fuse protection:	10 A
Door hinge:	Right reversible
Voltage:	220-240 V
Frequency:	50 Hz
Length of electrical supply cord:	230.0 cm
Number of compressors:	1
Number of independent cooling systems:	2
Interior ventilator:	Yes
Reversible Door Hinge:	Yes
Number of Adjustable Shelves in fridge compartment (Stck):	4
Shelves for Bottles:	Yes
Frost free system:	Freezer
Installation type:	N/A



*N 70, BUILT-IN FRIDGE-FREEZER WITH FREEZER
AT BOTTOM, 193.5 X 70.8 CM, SOFT CLOSE FLAT
HINGE
KB7966DD0G*

Features

Design features

- Built-in fridge/freezer
- Right hinged door, reversible
- Height adjustable front feet
- LED with Soft Start in fridge section
- Twin LED electronic control panel

Functions

- Automatic defrost fridge
- NO_FROST_NEU_BL, never have to defrost ever again
- Two separate cooling circuits allow independent temperature control and prevents the transference of humidity between the fridge and freezer cavity
- Super Cooling: automatic deactivation
- acoustic alarm, optical and acoustical, acoustic for Fridge and Freeze
- Home Connect: iService Remote, Remote Monitoring and Control

Food freshness system

- 1 FreshSafe drawer with humidity control retains freshness for longer.

Key features - Fridge section

- 5 safety glass shelves in fridge compartment of which 4 are height adjustable
- Bottle rack

Key features - Freezer section

- 3 freezer drawers

Additional features

- 2 x egg tray, 1 x ice cube tray

Performance and Consumption

- Climate Class: SN-T
- Total Volume : 381 l
- Net Fridge Volume : 284 l
- Net Freezer Volume : 98 l
- Annual Energy Consumption: 204 kWh/a
- Noise Level : 33 dB , EU19_Noise emission class_D: B
- Temperature rise time : EU19_Temperature rise time_D: 13 H
- Freezing capacity 24h : 10 kg
- 220 - 240 V
- EU19_EEK_D: D
- EU19_Fast freezer facility_D
- Based on the results of the standard 24-hour test. Actual consumption depends on usage/position of the appliance.

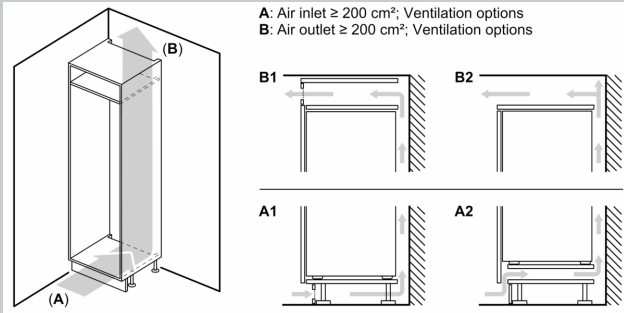
Dimension and installation

- Niche Dimensions: 194 cm H x 71 cm W x 56 cm D
- Length of power cord: 230 cm

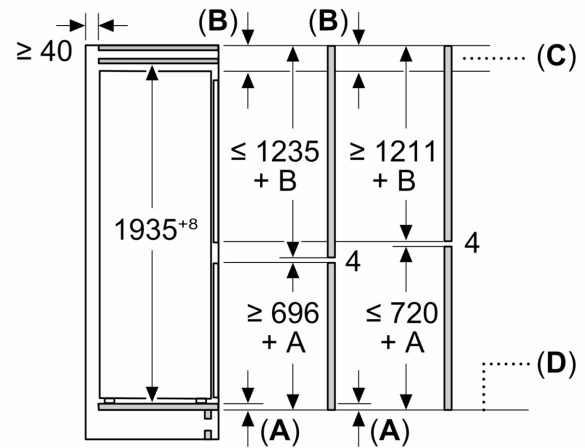
Country Specific Options

N 70, BUILT-IN FRIDGE-FREEZER WITH FREEZER AT BOTTOM, 193.5 X 70.8 CM, SOFT CLOSE FLAT HINGE
KB7966DD0G

Dimensioned drawings



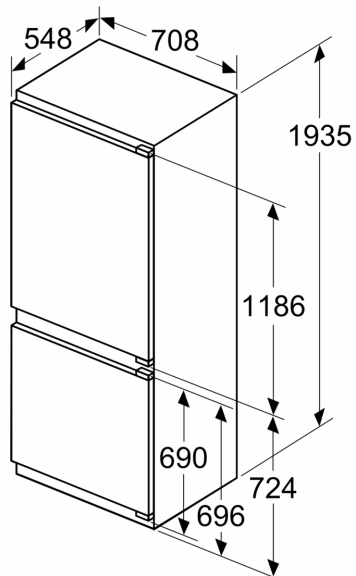
Measurements in mm



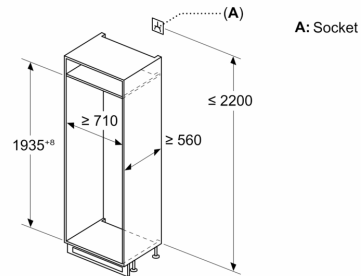
C: Front panel overhang

D: Lower edge of front panel

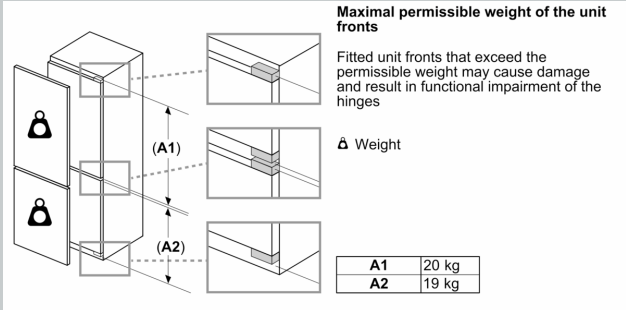
Measurements in mm



Measurements in mm

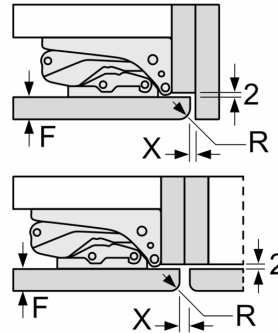


Dimensioned drawings



measurements in mm

Recommended gap dimensions for flat hinges



F	R	X
16-19	0-3	2.5
20	0-1	3
	2-3	2.5
21	0-1	3
	2-3	2.5
22	0	4
	1	3.5
	2-3	3

The gap dimensions recommended in the table must be adhered to in order to ensure that appliance doors do not collide with anything when they are opened, and to avoid causing damage to kitchen units.