

K 7763 E

Built-in refrigerator

DailyFresh, FlexiLight 2.0 and DynaCool for more convenience and flexibility.



- Spacious drawer with moisture control – DailyFresh
- Individually adjustable glass shelf lighting with FlexiLight 2.0
- Uniform temperature distribution inside the appliance – DynaCool
- Door shelf heights can be adjusted individually
- Dishwasher-proof door shelves – ComfortClean



EAN: 4002516413097 / Material number: 11729590 / Old Material Number: 36776300GB

| | |
|--|----------------|
| Appliance category | |
| Refrigerator | • |
| Construction type | |
| Built-in appliance | • |
| Integrated appliance | • |
| Door hinge | right |
| Convertible door hinging | • |
| Design | |
| Refrigeration section lighting | FlexiLight 2.0 |
| Fan lighting | • |
| User convenience | |
| Networking with Miele@home | • |
| Freshness system | DailyFresh |
| Fine adjustment inner door | • |
| ComfortClean | • |
| DynaCool | • |
| ComfortSize | • |
| SoftClose | • |
| Controls | |
| Operating concept | FreshTouch |
| Fridge compartment can be switched off | No |
| Independent temperature regulation of fridge and freezer zones | No |
| Automatic SuperCool | • |
| No. of temperature zones | 1 |
| Sabbath mode | • |
| Party mode | • |
| Holiday mode | • |
| Fridge/Fridge section | |
| No. of shelves | 7 |
| of which illuminated | 4 |
| Chrome-plated metal bottle rack | • |
| No. of crisper drawers | 2 |
| Number of inner door racks for tinned food | 3 |
| Door rack for bottles | 2 |
| Door shelves | 5 |
| Efficiency and sustainability | |
| Energy efficiency class (A–G) | E |
| Annual energy consumption in kWh | 114.60 |
| Energy consumption in 24 h in kWh | 0.31 |
| Safety | |
| Lock function | • |
| Acoustic door alarm | • |
| Optical door alarm | • |
| Technical data | |
| Niche width in mm min. | 560 |
| Niche width in mm max. | 570 |
| Niche height in mm min. | 1772 |
| Niche height in mm max. | 1788 |
| Niche depth in mm | 550 |

K 7763 E

Built-in refrigerator

DailyFresh, FlexiLight 2.0 and DynaCool for more convenience and flexibility.



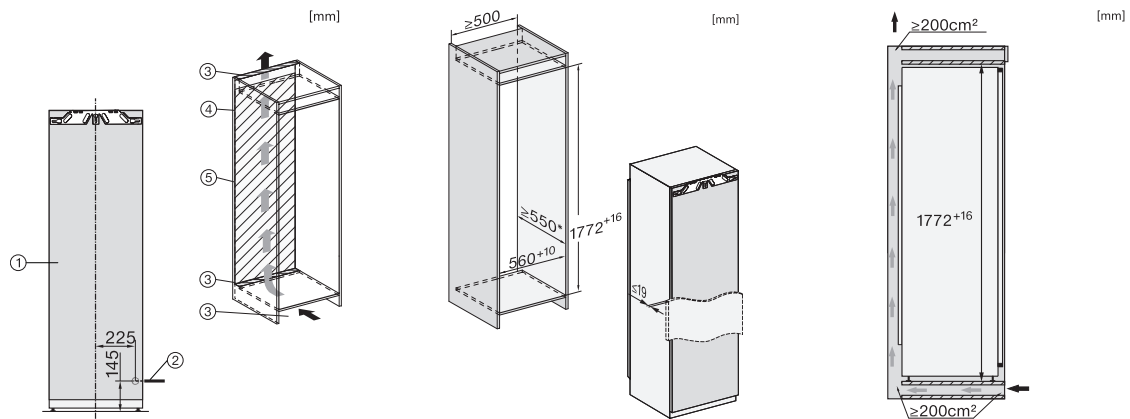
EAN: 4002516413097 / Material number: 11729590 / Old Material Number: 36776300GB

| | |
|--|------------------|
| Appliance width in mm | 559 |
| Appliance height in mm | 1770 |
| Appliance depth in mm | 546 |
| Weight in kg | 58.6 |
| Door hinge technology | Fixed door |
| Max. door front weight – refrigerator, in kg | 26 |
| Climate class | SN-ST |
| Refrigerator compartment in l | 311 |
| 4* freezer compartment in l | 0 |
| Total usable capacity in l | 311 |
| Noise class (A–D) | B |
| Sound power in dB(A) re 1 pW | 35 |
| Current consumption (mA) | 1200 |
| Voltage in V | 220-240 |
| Fuse rating in A | 13 |
| Number of phases | 1 |
| Frequency in Hz | 50 |
| Length of supply lead in m | 2.2 |
| Replacing lamps | Customer Service |
| Accessories supplied | |
| Egg tray | • |

K 7763 E

Built-in refrigerator

DailyFresh, FlexiLight 2.0 and DynaCool for more convenience and flexibility.



K7733E, K7763E, K7732E, K7734F, K7764E, K7743E, K7743D, K7744E, K7773D, K7774D (footnote*) (installation drawings)

*1. View from the front, 2. Mains connection cable, L = 2100 mm, 3. Ventilation cut-out min. 200 cm², 4. Ventilation, 5. No connections permitted in this area

K7733E, K7763E, K7732E, K7734F, K7764E, K7743E, K7743D, K7744E, K7773D, K7774D, built-in (footnote*) (drawings)

*The declared energy consumption was calculated in a 560 mm deep niche. The appliance is fully functional in a 550 mm niche but the energy consumption will be slightly higher.

K7733E, K7763E, K7732E, K7734F, K7764E, K7743E, K7743D, K7744E, K7773D, K7774D, side view (installation drawings)