

iQ500, Built-in oven with added steam function, 60 x 60 cm, Stainless steel HR538ABS1



A



Shorten your cooking time thanks to fast preheat and coolStart.

- ✓ fastPreheat – Heat the oven quickly. coolStart – Eliminate preheating for frozen foods.
- ✓ ecoClean: Cut down on oven cleaning
- ✓ The addedSteam function: for crispy crusts and juicy roasts.
- ✓ cookControl30: automatic programs ensure best results.
- ✓ lightControl: intuitive operation thanks to the illuminated dial.

Features

Technical Data

Color / Material Front : Stainless steel
 Construction type : Built-in
 Integrated Cleaning system : Catalytic partial
 Min. required niche size for installation (HxWxD) : 585-595 x 560-568 x 550 mm
 Dimensions : 595 x 594 x 548 mm
 Dimensions of the packed product (HxWxD) : 660 x 690 x 660 mm
 Control Panel Material : Glass
 Door Material : Glass
 Net weight : 34.1 kg
 Usable volume of cavity : 71 l
 Cooking method : Conventional heat, Deep-frozen food special, Full width grill, Hot Air, Hotair gentle, Hot air grilling, low temperature cooking, Pizza setting, Regeneration
 First cavity material : Other
 Oven control : electronic
 Number of interior lights : 1
 Length of electrical supply cord : 120.0 cm
 EAN code : 4242003851296
 Number of cavities (2010/30/EC) : 1
 Energy efficiency rating : A
 Energy consumption per cycle conventional (2010/30/EC) : 0.97 kWh/cycle
 Energy consumption per cycle forced air convection (2010/30/EC) : 0.81 kWh/cycle
 Energy efficiency index (2010/30/EC) : 95.3 %
 Connection rating : 3600 W
 Fuse protection : 16 A
 Voltage : 220-240 V
 Frequency : 50; 60 Hz
 Plug type : Gardy plug w/ earthing
 Included accessories : 1 x combination grid, 1 x universal pan

Included accessories

- 1 x combination grid
- 1 x universal pan

Optional accessories

- | | |
|----------|---------------------------------------|
| HZ915003 | Glass roasting dish, 5,4 L |
| HZ638300 | 3 level telescopic rails, full ext |
| HZ638000 | Full ext rails, level independent |
| HZ636000 | Glass pan |
| HZ634000 | Baking and roasting grid (standard) |
| HZ538000 | varioClip rail |
| HZ531010 | Baking tray, non-stick ceramic coated |
| HZ531000 | Baking tray, grey enamelled |



iQ500, Built-in oven with added steam function, 60 x 60 cm, Stainless steel HR538ABS1

Features

Features

- Oven with 9 heating methods: 3D hot air, conventional top & bottom heating, hot air grilling, full width grill, Pizza setting, coolStart, low temperature cooking, Hotair gentle, reheating with steam
- Heating modes in combination with steam function: Hot air, Hot air grilling, Top/bottom heat
- Temperature range 30 °C - 275 °C
- Cavity volume: 71 litres

Level independent telescopic rails

- 5 shelf positions in oven
- Cavity with shelf support rails

Design

- lightControl: intuitive operation thanks to the illuminated dials
- Stainless steel control dial, lightControl: intuitive operation thanks to the illuminated dials, round
- Cavity inner surface: enamel grey

Cleaning

- EcoClean Direct : back panel

Programmes/functions

- LCD Display (White)
- Electronic oven clock timer
- Digital temperature display with proposal
- Heating-up indicator cookControl Automatic start
- cookControl, 30
- Additional functions:
- Descaling programme
- steam level high steam level low
- Bar handle
- Automatic programmes
- Fast preheat
- coolStart
- Interior halogen light, Light on/off when door opened/closed
- Water tank capacity: with a volume of 220ml
- Location of water tank: Outside cavity
- Integral cooling fan

Accessories

- 1 x combination grid, 1 x universal pan

Features

- Heat reflective glass
- Control panel lock
- Automatic safety switch off Residual heat indicator

Technical information

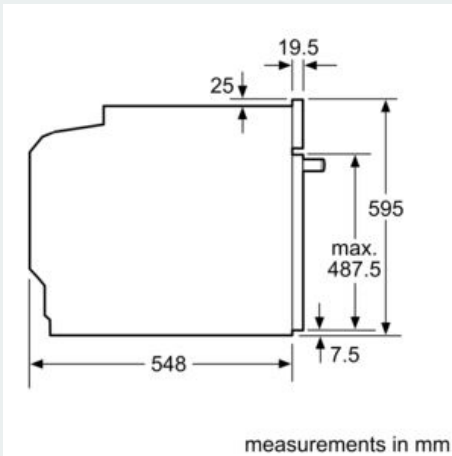
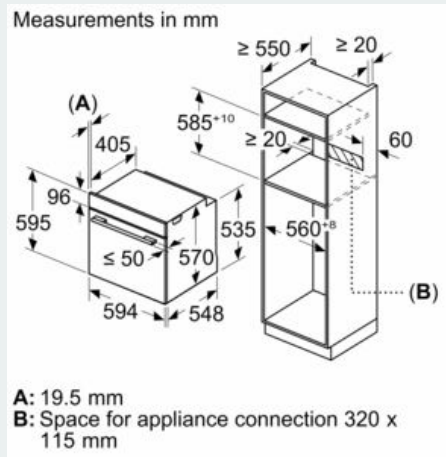
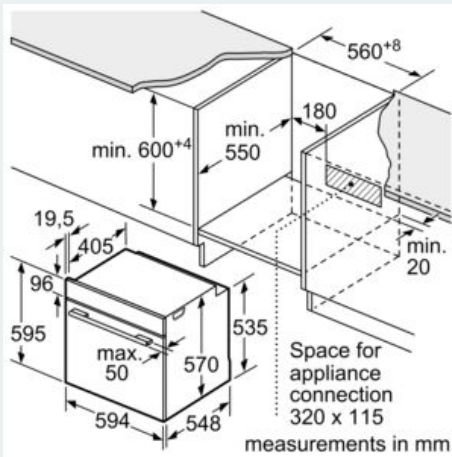
- 120 cm Cable length
- Nominal voltage: 220 - 240 V
- Total connected load electric: 3.6 KW
- Energy efficiency rating (acc. EU Nr. 65/2014): A
- Energy consumption per cycle in conventional mode:0.97 kWh
- Energy consumption per cycle in fan-forced convection mode:0.81 kWh
- Number of cavities: Main cavity Heat source: electrical Cavity volume:71 litres

Performance/technical information

- Appliance dimension (hxwx): 595 mm x 594 mm x 548 mm
- Niche dimension (hxwx): 585 mm - 595 mm x 560 mm - 568 mm x 550 mm
- Please refer to the dimensions provided in the installation manual
- We recommend you to choose complementary products within IQ500, in order to assure an optimal design combination of your Built-In appliances.

iQ500, Built-in oven with added steam function, 60 x 60 cm, Stainless steel HR538ABS1

Dimensioned drawings



Installation with a hob.

