

N 50, BUILT-IN MICROWAVE OVEN, 59 X 38 CM,
BLACK
HLAWD53N0B



A must for any household - a built-in microwave designed to coordinate with N50 ovens

- ✓ Side-opening hinged door - A smart twist for the elevated installation.
- ✓ Control Dials & One-Touch Buttons - select the right programme using your intuition
- ✓ LED-Display - simple, straightforward for clear reading
- ✓ Automatic programmes - Your kitchen helper with just the right default settings.
- ✓ LED lights - Bright illumination exactly where you need it.

Features

Technical Data

Type of micro-wave oven: MW only
 Type of control: Electronic
 Dimensions: 382 x 594 x 388 mm
 Cavity dimensions: 208.0 x 328.0 x 369.0 mm
 Length of electrical supply cord: 130.0 cm
 Net weight: 17.0 kg
 Gross weight: 20.1 kg
 EAN code: 4242004222798
 Maximum micro-wave power: 900 W
 Connection rating: 1450 W
 Fuse protection: 10 A
 Voltage: 230-240 V
 Frequency: 50 Hz
 Plug type: GB plug
 Included accessories: 1 x Turntable



*N 50, BUILT-IN MICROWAVE OVEN, 59 X 38 CM,
BLACK
HLAWD53NOB*

Features

Design

- LED display, white
- Electronic clock timer
- Left hinged door
- 31.5 cm Glass turntable
- Cavity inner surface: stainless steel
- Elongated designed dials, Retractable control dials, Touch control, round, Start button

Features

- Automatic safety switch off
- Door contact switch
- LED light
- Cooling fan
- Memory function
- Open Button, electronic

Programmes/functions

- 90-180-360-600-900 Watts and the following options 180 W, 360 W, 600 W, 90 W, 900 W
- Number of automatic programmes: 7 PC
- 4 defrost and 3 cooking programmes in microwave function

Accessories

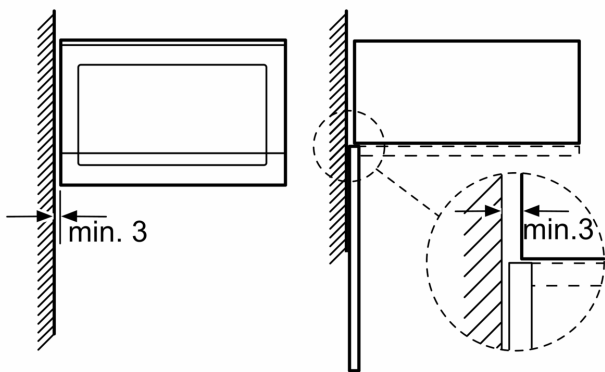
- 1 x Turntable

Performance/technical information

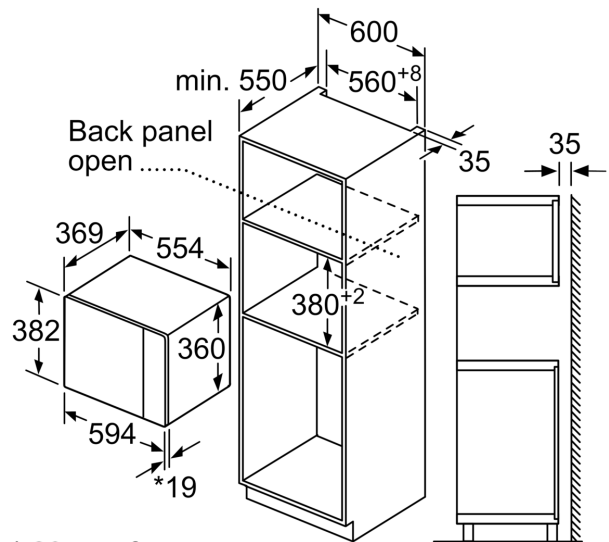
- Cavity volume: 25 l
- 130 cm Cable length
- Total connected load electric: 1.45 KW
- Nominal voltage: 230 - 240 V
- Appliance dimension (hxwxh): 382 mm x 594 mm x 388 mm
- Niche dimension (hxwxh): 380 mm - 382 mm x 560 mm - 568 mm x 550 mm
- Please refer to the dimensions provided in the installation manual

N 50, BUILT-IN MICROWAVE OVEN, 59 X 38 CM,
BLACK
HLAWD53NOB

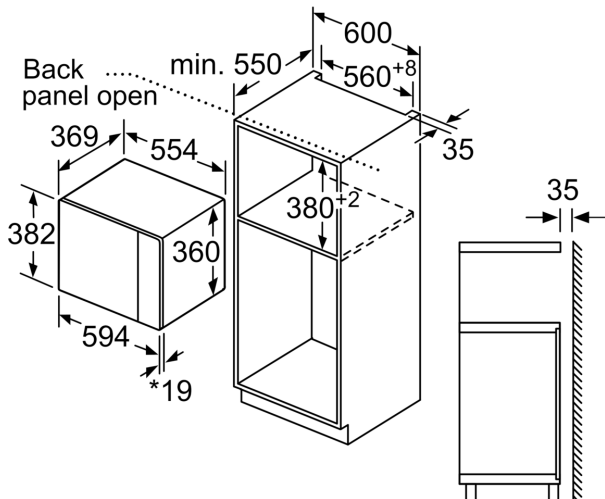
Dimensioned drawings

 Microwave,
corner installation


Measurements in mm

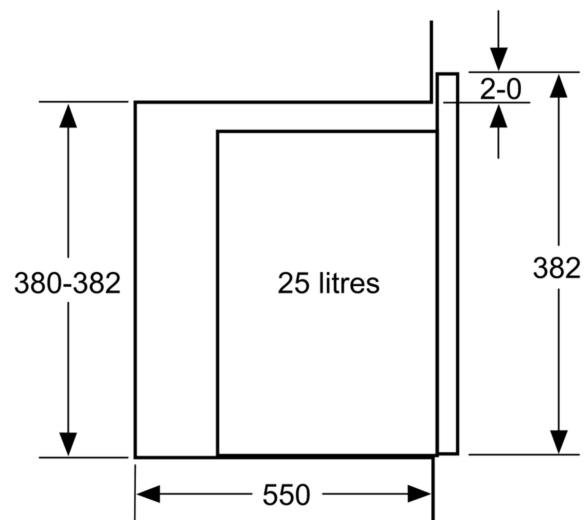

 * 20 mm for
metal fascia

measurements in mm



* 20 mm for metal fascia

measurements in mm



measurements in mm