

**Series 4, Built-in oven, 60 x 60 cm,
Stainless steel
HBS573BS0B**



Included accessories

2 x combination grid
1 x universal pan
2 x Universal pan
slim size

Optional accessories

HEZ531000 : Baking tray, grey enamelled
HEZ531010 : Baking tray, non-stick ceramic coated
HEZ538000 : 1fold telescopic rail, level independent
HEZ634000 : Baking and roasting grid (standard)
HEZ636000 : Glass pan
HEZ915003 : Glass roasting dish, 5,4 L

**The built-in oven with AutoPilot:
automatically prepares perfect dishes.**

- **AutoPilot 10:** every dish is a perfect success thanks to 10 pre-set automatic programmes.
- **Red LED display control:** easy-to-use thanks to the time functions.
- **Pop-out controls:** Make the front of the oven easy to clean and give it a sleek look.
- **Pyrolytic self-cleaning:** Automatically cleans the oven, just wipe out the ash.
- **2 universal pans, slim size:** optimized for smaller amounts of different dishes.

Technical Data

Color / Material Front : Stainless steel
Construction type : Built-in
Integrated Cleaning system : Pyrolytic
Min. required niche size for installation (HxWxD) : 585-595 x 560-568 x 550 mm
Dimensions : 595 x 594 x 548 mm
Dimensions of the packed product (HxWxD) : 675 x 690 x 660 mm
Control Panel Material : Stainless steel
Door Material : Glass
Net weight : 38.9 kg
Usable volume of cavity : 71 l
Cooking method : Conventional heat, Full width grill, Hot Air, Hotair gentle, Hot air grilling
First cavity material : Other
Oven control : electronic
Number of interior lights : 1
Length of electrical supply cord : 120.0 cm
EAN code : 4242005034161
Number of cavities (2010/30/EC) : 1
Energy efficiency rating : A
Energy consumption per cycle conventional (2010/30/EC) : 0.99 kWh/cycle
Energy consumption per cycle forced air convection (2010/30/EC) : 0.81 kWh/cycle
Energy efficiency index (2010/30/EC) : 95.3 %
Connection rating : 2990 W
Fuse protection : 13 A
Voltage : 220-240 V
Frequency : 50; 60 Hz
Plug type : no plug (electrical connection by electrician)
Included accessories : 2 x combination grid, 1 x universal pan, 2 x Universal pan, slim size



4 242005 034161

Series 4, Built-in oven, 60 x 60 cm, Stainless steel HBS573BS0B

**The built-in oven with AutoPilot:
automatically prepares perfect dishes.**

Design

- LED-display control (red)
- Rotary dial, Retractable control dials, round
- Straight bar handle

Features

- Electronic door lock
Control panel lock Automatic safety switch off
- Heating-up indicator
AutoPilot Automatic start
- AutoPilot, 10
- 5 shelf positions
- Electronic clock timer
- Integral cooling fan
- Interior halogen light, Light on/off when oven door opened/
closed

Cleaning

- Pyrolytic self-cleaning function
- Fast pre-heating function

Programmes/functions

- Oven with 5 cooking functions: heating methods: 3D Hotair,
conventional top and bottom heat, Hotair grilling, full width
variable grill, Hotair gentle
- Automatic programmes
- Full glass inner door

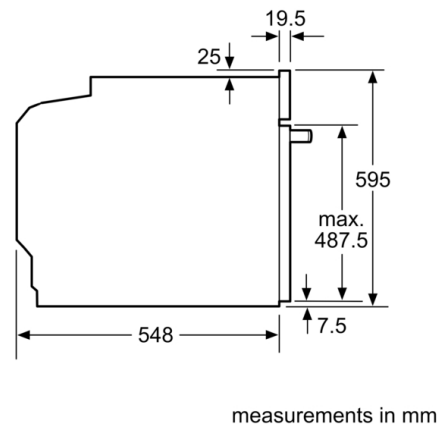
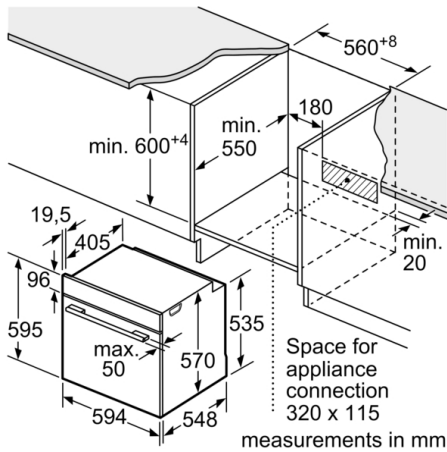
Accessories

- 2 x combination grid, 1 x universal pan, 2 x Universal pan, slim
size

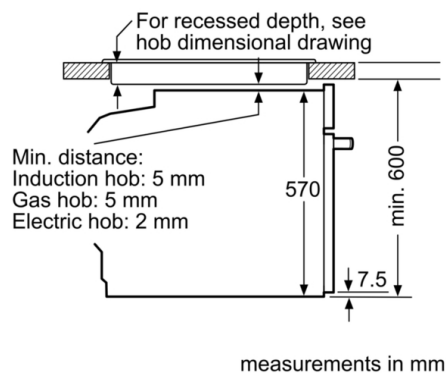
Performance/technical information

- Energy efficiency rating (acc. EU Nr. 65/2014): A
Energy consumption per cycle in conventional mode:0.99 kWh
Energy consumption per cycle in fan-forced convection
mode:0.81 kWh
Number of cavities: Main cavity Heat source: electrical Cavity
volume:71 litre capacity
- Total connected load electric: 2.99 KW
- Nominal voltage: 220 - 240 V
- 120 cm Cable length
- Temperature range 50 °C - 275 °C
- Appliance dimension (hxwxd): 595 mm x 594 mm x 548 mm
- Niche dimension (hxwxd): 585 mm - 595 mm x 560 mm - 568
mm x 550 mm
- Please refer to the dimensions provided in the installation
manual

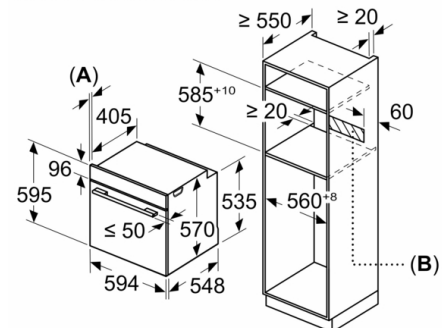
Series 4, Built-in oven, 60 x 60 cm, Stainless steel
HBS573BS0B



Installation with a hob.



Measurements in mm



A: 19.5 mm
B: Space for appliance connection 320 x 115 mm