

H 7890 BP  
90 cm wide oven  
seamless design with food probe and BrilliantLight.



- Large touch display with movement sensor – M Touch + MotionReact
- An eye on what's cooking anywhere, any time – camera in the oven
- Minimal cleaning effort – Pyrolytic cleaning equipment & PyroFit
- Especially light dough and nicely browned crusts – Moisture plus
- Fast heating and even heat distribution – TwinPower

A

EAN: 4002516219255 / Material number: 11093840 / Old Material Number: 22789045GB

<b>Construction type</b>	
Appliance Colour	Stainless steel/Clean Steel
<b>Construction type and design</b>	
Built-in oven	•
PureLine	•
<b>Convenience features</b>	
Rapid heat-up	•
Pre-heating	•
Food probe	Without cable
Keeping warm	•
Crisp function	•
Rotisserie motor	•
<b>Operating modes</b>	
Defrosting	•
Automatic programmes	•
Country-specific automatic programmes	•
Auto roast	•
Eco fan heat	•
Grill operating modes	•
Grill	•
Economy grill	•
Fan plus	•
Intensive bake	•
Moisture plus	•
Moisture plus with Fan plus	•
Moisture plus with Conventional heat	•
Moisture plus with Intensive bake	•
Moisture plus with Conventional heat	•
Low temperature cooking	•
Conventional heat	•
Top heat	•
Bottom heat	•
Fan grill	•
Special applications	•
<b>User convenience</b>	
Networking with Miele@home	•
Display	M Touch
MotionReact: light comes on when movement is detected	•
MotionReact: display comes on when movement is detected	•
MotionReact: audible signal is acknowledged when movement is detected	•
MotionReact: detection of cabinet fronts	•
FoodView	•
SoftOpen	•
SoftClose	•
MultiLingua	•
MyMiele	•
Help function	•
3D control panel	•

H 7890 BP

90 cm wide oven

seamless design with food probe and BrilliantLight.



EAN: 4002516219255 / Material number: 11093840 / Old Material Number: 22789045GB

Programmable timed steam injection	•
Polyphonic buzzers	•
Time of day display	•
Clock synchronisation	•
Date display	•
Minute minder	•
Programmable start of cooking duration	•
Programmable end of cooking duration	•
Programmable cooking duration	•
Actual temperature display	•
Target temperature display	•
Buzzer when desired temperature is reached	•
Recommended temperature	•
User programmes	•
Sabbath programme	•
Individual settings	•
<b>Efficiency and sustainability</b>	
Energy efficiency class (A+++ – D)	A
Automatic residual heat utilisation	•
Power rating in off mode in W	0.5
Power rating in standby mode in W	1.0
Power rating in networked standby in W	2.0
Time until automatic switch to standby in min	20
Time until automatic switch to networked standby in min	20
Time until automatic switch to off mode in min	20
<b>Cleaning and care</b>	
Stainless steel/CleanSteel finish	•
Pyrolytic self-cleaning	•
Catalyser	•
Hinged grill element	•
CleanGlass door	•
<b>Safety</b>	
Appliance cooling system and touch-cool front	•
Safety switch-off	•
System lock	•
Door lock during pyrolytic cleaning	•
Sensor lock	•
<b>Technical data</b>	
Oven compartment volume in l	90
No. of shelf levels	3
Number of shelf levels oven compartment 1	3
Number of shelf levels oven compartment 2	3
Numbered shelf levels	•
Oven light	BrilliantLight
TwinPower hot air fan	•
Temperatures in °C	30–300
Electronic temperature regulation min. in °C	30
Electronic temperature regulation max. in °C	300
Niche width min. in mm	860
Niche width max. in mm	860
Niche height min. in mm	517

H 7890 BP  
 90 cm wide oven  
 seamless design with food probe and BrilliantLight.



EAN: 4002516219255 / Material number: 11093840 / Old Material Number: 22789045GB

Niche height max. in mm	517
Niche depth in mm	550
Appliance width in mm	895
Appliance height in mm	478
Appliance depth in mm	568
Weight in kg	74.0
Total rated load in kW	5.60
Voltage in V	220-240
Frequency in Hz	50
Fuse rating in A	25
Number of phases	1
Length of supply lead in m	1.70
Replacing lamps	Service

#### Accessories included

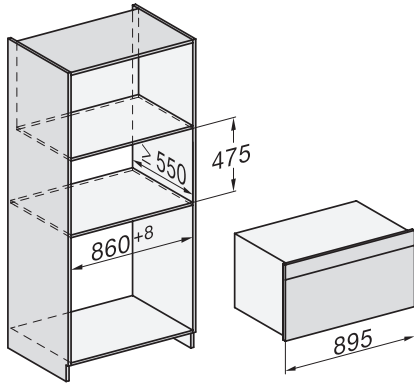
Universal tray with PerfectClean	2
Baking and roasting rack PyroFit	2
PyroFit FlexiClip runners	1
Wireless food probe	1
Removable PyroFit side runners (pair)	1
Grilling and roasting insert with PerfectClean	1
Descaling tablets	2

#### Available display languages

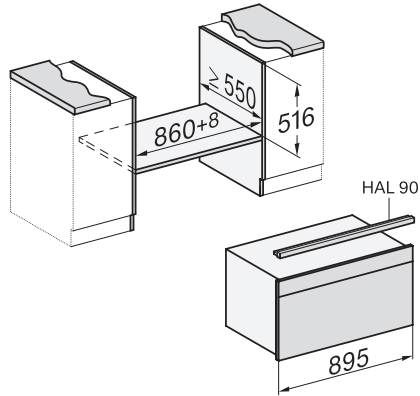
Available display languages via MultiLingua

bahasa malaysia, dansk, deutsch, english, español, français, hrvatski, italiano, magyar, nederlands, norsk, polski, português, русский, română, slovenčina, slovenščina, srpski, suomi, svenska, türkçe, українська, čeština, ελληνικά,

H 7890 BP  
90 cm wide oven  
seamless design with food probe and BrilliantLight.

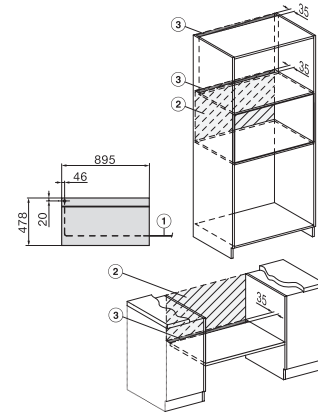


built-in H7000 90, installation drawing



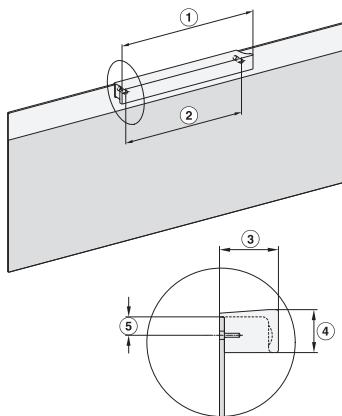
built-in H7000 90 build-under, installation drawing

If the oven is to be installed under a hob, follow the instructions for installing the hob and the height of the hob.



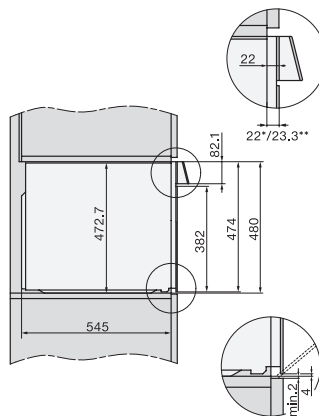
installation H7000 90, installation drawing

1) Mains connection cable, L=2000 mm, 2) No connection in this area, 3) Lüftungsausschnitt min. 150 cm<sup>2</sup>



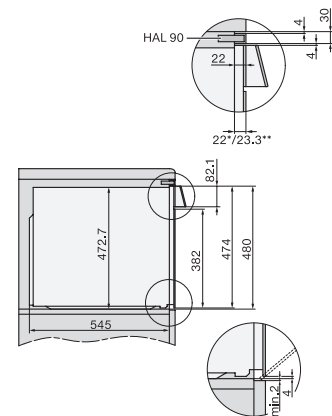
H7890BP, installation drawings

1) 350 mm, 2) 300 mm, 3) 48 mm, 4) 35 mm, 5) 16.5 mm



side view H7000 90, installation drawings, GB, AU

22 mm – glass, 23,3 mm – metal



side view H7000 90 build-under, installation drawing, GB, AU

22 mm – glass, 23,3 mm – metal