

H 7240 BM

Compact microwave combination oven

with a seamless design, automatic programmes and combination modes.



- Clear text display with sensor controls – DirectSensor S
- Easy cleaning – compartment with PerfectClean & linen structure
- Faster and more consistent results – Quick & Gentle
- Network-enabled WiFi appliance – Miele@home
- Get what you want in one easy step – Quick MW and Popcorn button

EAN: 4002516158592 / Material number: 11093470 / Old Material Number: 22724046GB

Construction type and design	
Built-in microwave combination oven	•
PureLine	•
Appliance Colour	Stainless steel/Clean Steel
Convenience features	
Quick & Gentle	•
Rapid heat-up	•
Operating modes	
Defrosting	•
Automatic programmes	•
Auto roast	•
Eco fan heat	•
Grill	•
Fan plus	•
Microwave	•
Microwave with Auto roast	•
Microwave + Grill	•
Microwave + Fan plus	•
Microwave + Fan grill	•
Fan grill	•
User convenience	
Networking with Miele@home	•
Display	DirectSensor S
SoftOpen	•
SoftClose	•
MultiLingua	•
Popcorn function	•
Time of day display	•
Clock synchronisation	•
Minute minder	•
Programmable start of cooking duration	•
Programmable end of cooking duration	•
Programmable cooking duration	•
Actual temperature display	•
Target temperature display	•
Buzzer when desired temperature is reached	•
Recommended temperature	•
Recommended microwave power	•
Quick microwave	•
Individual settings	•
Efficiency and sustainability	
Power rating in off mode in W	0.5
Power rating in standby mode in W	1.0
Power rating in networked standby in W	2.0
Time until automatic switch to standby in min	20
Time until automatic switch to networked standby in min	20
Time until automatic switch to off mode in min	20
Cleaning convenience	
Stainless steel/CleanSteel finish	•

H 7240 BM

Compact microwave combination oven
with a seamless design, automatic programmes and combination modes.



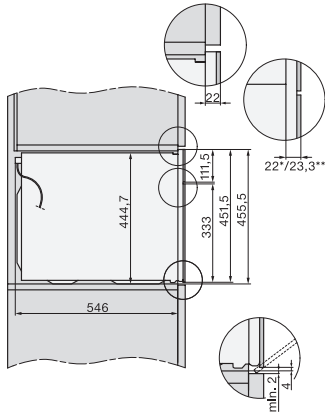
EAN: 4002516158592 / Material number: 11093470 / Old Material Number: 22724046GB

Stainless-steel oven compartment with linen structure and PerfectClean	•
Hinged grill element	•
CleanGlass door	•
Safety	
Appliance cooling system and touch-cool front	•
Safety switch-off	•
System lock	•
Technical data	
Oven compartment volume in l	43
No. of shelf levels	3
Number of shelf levels oven compartment 1	3
Number of shelf levels oven compartment 2	3
Oven light	1 LED spot
Electronic temperature regulation min. in °C	30
Electronic temperature regulation max. in °C	250
Electronically controlled microwave power	•
Microwave power levels in W	
Niche width min. in mm	560
Niche width max. in mm	568
Niche height min. in mm	450
Niche height max. in mm	452
Niche depth in mm	550
Appliance width in mm	595
Appliance height in mm	456
Temperatures in °C	30–250
Appliance depth in mm	563
Weight in kg	36.0
Total rated load in kW	2.70
Voltage in V	220-240
Frequency in Hz	50
Number of phases	1
Fuse rating in A	16
Length of supply lead in m	2.00
Replacing lamps	Customer Service
Accessories supplied	
Baking and roasting rack with PerfectClean	1
Glass tray	1
Available display languages	
Available display languages via MultiLingua	bahasa malaysia, dansk, deutsch, english, español, français, hrvatski, italiano, magyar, nederlands, norsk, polski, portuguese, русский, română, slovenčina, slovenščina, srpski, suomi, svenska, türkçe, українська, čeština, ελληνικά,

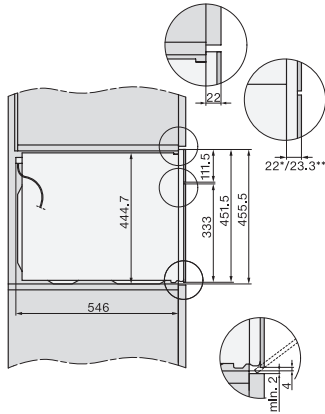
H 7240 BM

Compact microwave combination oven

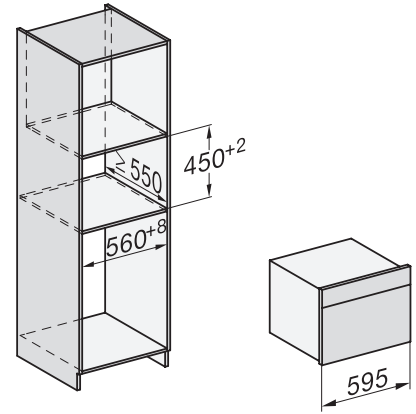
with a seamless design, automatic programmes and combination modes.



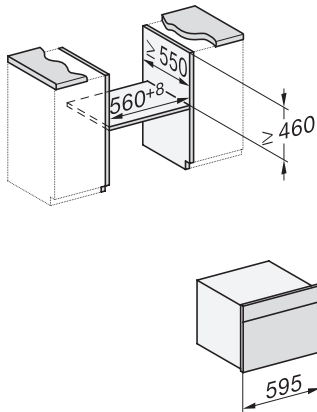
H7x40BM/BMX, installation drawings
22 mm – glass, 23,3 mm – metal



H7x40BM/BMX, installation drawings, GB, AUS
22 mm – glass, 23,3 mm – metal

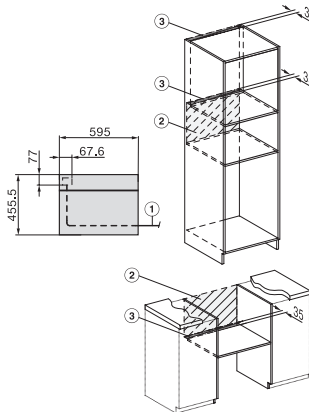


H7x40BM/BMX, installation drawings



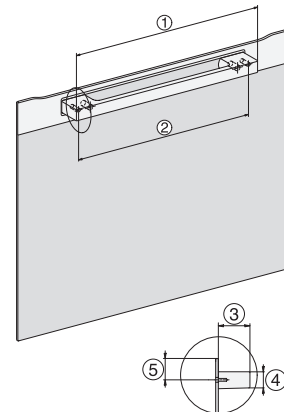
H7x4xBM, installation drawings

If the oven is to be installed under a hob, follow the instructions for installing the hob and the height of the hob.



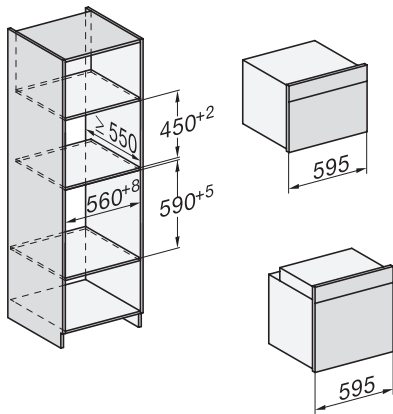
H7x40BM/BMX, installation drawings, GB, AUS

1) Mains connection cable, L=2000 mm, 2) No connection in this area, 3) Lüftungsausschnitt min. 150 cm²

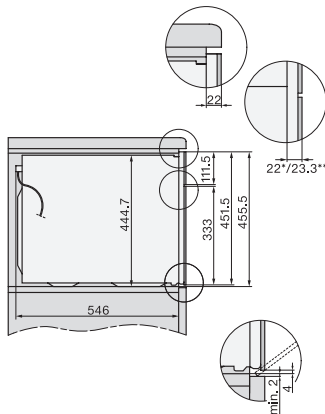


DG2840, DG7x40, DGC7x4x, DG7x6x, DGC7x6x, DGD7635, DGM7x4x, DO7, H28B/BP, H7x4xB/BM/BP, H7x6xB/BP, installation drawing

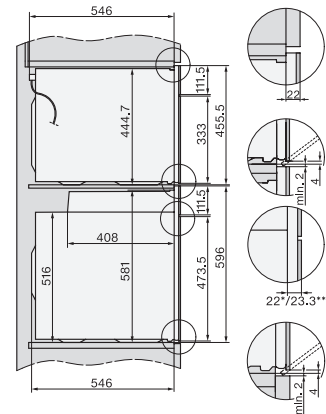
1) 400 mm, 2) 360 mm, 3) 47 mm, 4) 24 mm, 5) 32.5 mm



H226x-1B/BP/E/EP//IP, H2760B/BP, H28x0B/BP, H7x40BM/BMX, H7x6xB/BP/BPX, installation drawings



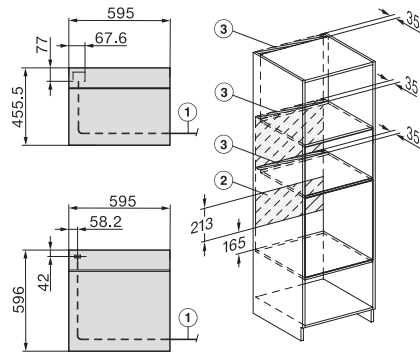
H7x40BM/BMX, installation drawings, GB, AUS
22 mm – glass, 23,3 mm – metal



H2xxx-1 B/BP/E//IP, H7xxx B/BP/BM/BMX, installation drawings
22 mm – glass, 23,3 mm – metal

H 7240 BM

Compact microwave combination oven
with a seamless design, automatic programmes and combination modes.



H2xxx-1 B/BP/E/I/IP, H7xxx B/BP/BM/BMX, installation drawings

22 mm – glass, 23,3 mm – metal