

**Serie | 6, Built-under freezer, 82 x 59.8 cm
GUD15A50GB**



The freezer with 3 transparent freezer drawers and SuperFreezing: freezes new items placed inside even faster.

- An audible alarm system signals the door is open

Technical Data

Thermometer freeze section :	Analog
Light :	No
Product category :	Upright freezer
Construction type :	Built-in
Door panel options :	Possible but accessory
Frost free system :	No
Height of the product (mm) :	820
Width of the appliance :	598
Depth of the product :	548
Dimensions of the packed product (HxWxD) (mm) :	890 x 620 x 670
Net weight (kg) :	36.172
Gross weight (kg) :	38.3
Connection rating (W) :	90
Current (A) :	13
Frequency (Hz) :	50
Approval certificates :	CE, VDE
Length of electrical supply cord (cm) :	230
Door hinge :	Right reversible
Storage Period in Event of Power Failure (h) :	23
Defrost process :	manual
Warning signal / malfunction :	visual and audible
Lockable door :	No
Number of drawers/baskets (Stck) :	3
Number of freezing flaps (Stck) :	0
EAN code :	4242002650890
Brand :	Bosch
Product name / Commercial code :	GUD15A50GB
Product category :	Upright freezer
Energy efficiency rating :	A+
Energy consumption annual (kWh/annum) - NEW (2010/30/EC) :	184.00
Freezer Net capacity (l) - NEW (2010/30/EC) :	98
Freezing capacity (kg/24h) - NEW (2010/30/EC) :	12
Climate class :	SN-ST
Noise level (dB(A) re 1 pW) :	38
Installation type :	Built-under



Serie | 6, Built-under freezer, 82 x 59.8 cm GUD15A50GB

The freezer with 3 transparent freezer drawers and SuperFreezing: freezes new items placed inside even faster.

Performance and Consumption

- Energy Efficiency Class: A+
- Energy Efficiency Class: A+ kWh/yr: 184
- Total net capacity: 98 l litres
- Noise level dB(A) re 1 pW: 38

Design features

- Right hinged door, door reversible
- Mechanical control

Food freshness system

- 1 compressor/1 cooling circuit

Key features - Freezer section

- Manual defrost freezer
- 4 star freezer rating
- 3 freezer drawers
- SuperFreezing function with automatic deactivation
- Freezing capacity in 24 hours: 12 kg
- Maximum freezer storage time in power failure: 23 hours

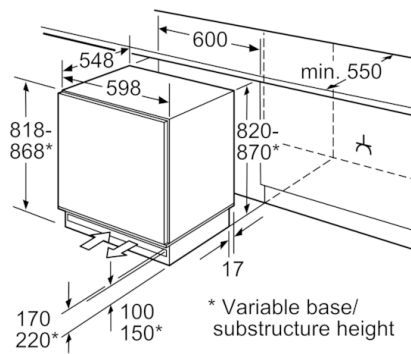
Functions

- Acoustic
- Freezer malfunction warning signal: optical, acoustical

Dimension and installation

- Climate class SN-ST (suitable for ambient temperatures between 10 to 38°C)
- Connection value 90 W
- Dimensions: 82 cm H x 59.8 cm W x 54.8 cm D
- Niche Dimensions: 82 cm H x 60 cm W x 55 cm D

**Serie | 6, Built-under freezer, 82 x 59.8 cm
GUD15A50GB**



Space for electrical connection next to the appliance on the left or right-hand side.
Ventilation space in the base.

measurements in mm