

N 70, BUILT-IN FREEZER, 87.4 X 55.8 CM, SOFT CLOSE FLAT HINGE  
G11216DE0



This built-in freezer helps to defrost faster and features a malfunction warning signal in case of increasing temperature.

- ✓ Low Frost – Reduces frost in the freezer compartment for faster defrosting
- ✓ Big Box – A roomy drawer for even more space for larger frozen items.
- ✓ Soft Close – Enjoy the silence. The door softly closes itself when at an angle of 20 degrees.

Features

Technical Data

Energy Efficiency Class: .....E  
 Average annual energy consumption in kilowatt hour per year (kWh/a): ..... 176 kWh/a  
 Sum of volume of frozen compartments: ..... 96 l  
 Airborne acoustical noise emissions : ..... 36 dB(A) re 1 pW  
 Airborne acoustical noise emission class: ..... C  
 Thermometer freeze section: .....None  
 Light: ..... No  
 Product category: ..... Upright freezer  
 Built-in / Free-standing: ..... Built-in  
 Door panel options: ..... Not possible  
 Frost free system: .....No  
 Height of the appliance: ..... 874 mm  
 Width of the appliance: ..... 558 mm  
 Depth: ..... 545 mm  
 Dimensions of the packed product (HxWxD): . 950 x 620 x 640 mm  
 Net weight: ..... 39.8 kg  
 Gross weight: ..... 42.6 kg  
 Connection Rating: ..... 90 W  
 Fuse protection: ..... 10 A  
 Frequency: .....50-60 Hz  
 Length electrical supply cord: ..... 230.0 cm  
 Door hinge: .....Right reversible  
 Defrost process: ..... manual  
 Warning signal / malfunction: ..... Both visual and audible  
 Door lock: ..... No  
 Number of drawers/baskets (Stck): ..... 3  
 Number of freezing flaps (Stck): .....0  
 EAN code: .....4242004247623  
 Brand: .....Neff  
 Product name / Commercial code: ..... G11216DE0  
 Product category: ..... Upright freezer  
 Included accessories: ..... 1 x ice cube tray

Included accessories

1 x ice cube tray

Optional accessories

KF1213S0 Door panel with decor frame  
 KF1213Z0 Door panel with decor frame



N 70, BUILT-IN FREEZER, 87.4 X 55.8 CM, SOFT  
CLOSE FLAT HINGE  
G1216DE0

## Features

### Design features

#### Functions

- Fixed hinge
- lowFrost freezer - less ice build up, faster defrosting
- SuperFreeze function with automatic deactivation
- Electronic control (LED chain)
- Freezer malfunction warning signal: optical, acoustical

#### Food freshness system

- 3 transparent freezer drawers, 1 bigbox

#### Key features - Fridge section

- Right hinged door, reversible
- Connection value 90 W
- 220 - 240 V

#### Dimension and installation

- Dimensions: 87.4 cm H x 55.8 cm W x 54.5 cm D
- Niche Dimensions: 88 cm H x 56 cm W x 55 cm D

#### Key features - Freezer section

- ice cube tray

#### Included accessories

- KF1213S0, KF1213Z0

#### Design features

#### Dimension and installation

#### Country Specific Options

- Based on the results of the standard 24-hour test. Actual consumption depends on usage/position of the appliance.

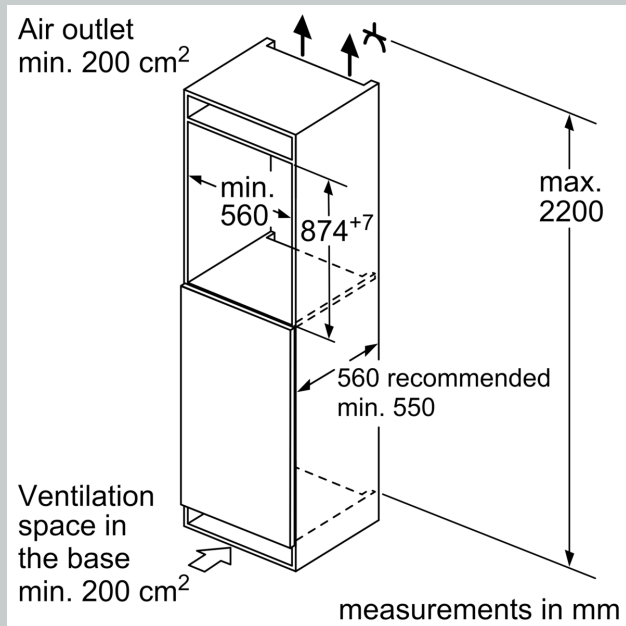
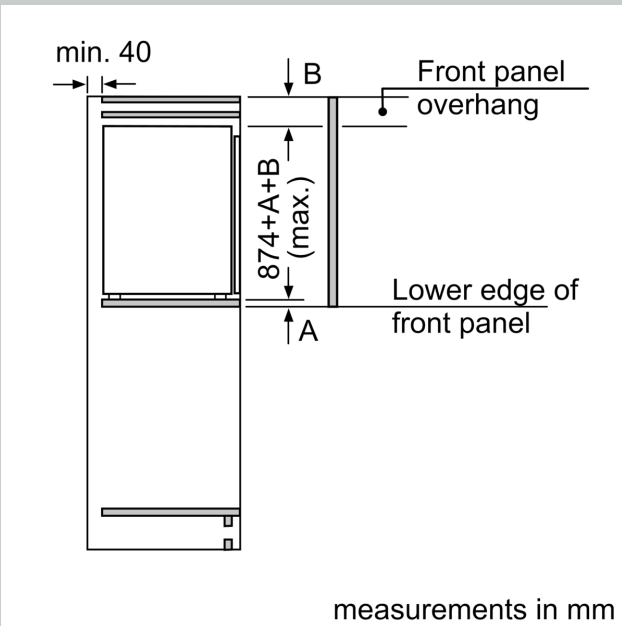
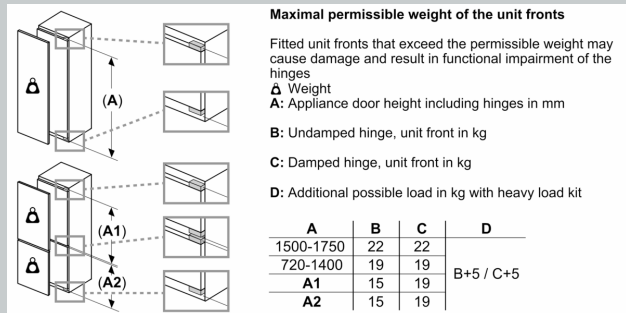
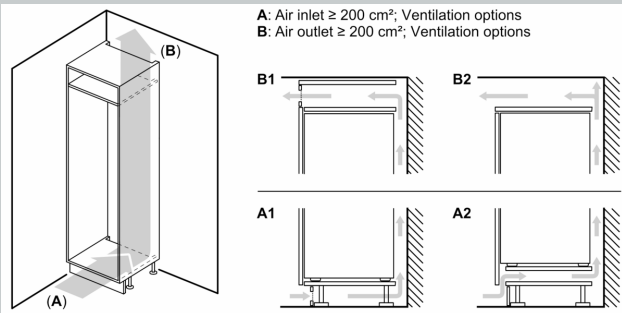
#### Additional features

#### Performance and Consumption

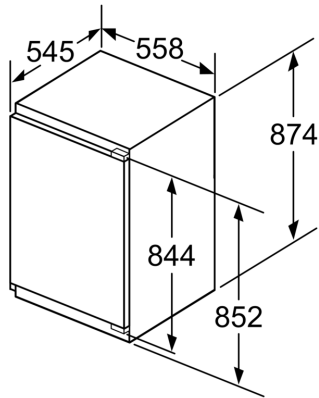
- EU19\_EEK\_D: E
- Total Volume : 96 l
- Freezing capacity 24h : 5 kg
- Annual Energy Consumption: 176 kWh/a
- Climate Class: SN-T
- Noise Level : 36 dB , EU19\_Noise emission class\_D: C

N 70, BUILT-IN FREEZER, 87.4 X 55.8 CM, SOFT  
CLOSE FLAT HINGE  
G11216DE0

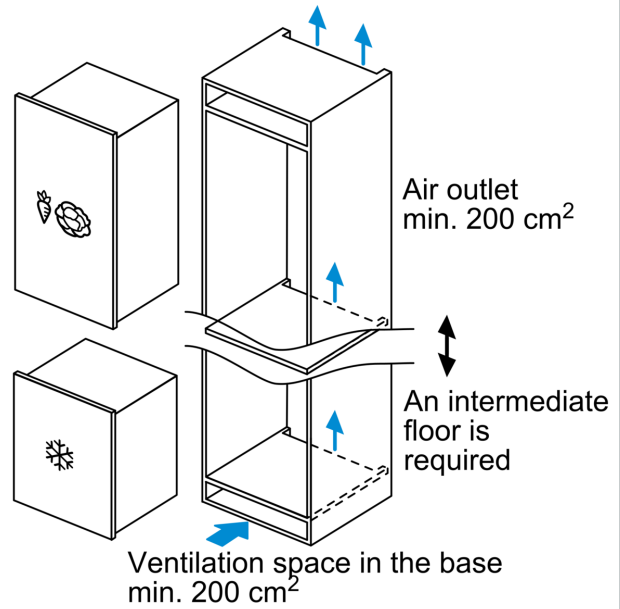
Dimensioned drawings



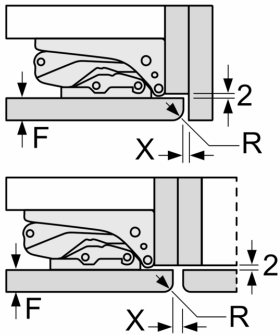
Dimensioned drawings



measurements in mm



measurements in mm  
Recommended gap dimensions for flat hinges



F	R	X
16-19	0-3	2.5
20	0-1	3
	2-3	2.5
21	0-1	3
	2-3	2.5
22	0	4
	1	3.5
	2-3	3

The gap dimensions recommended in the table must be adhered to in order to ensure that appliance doors do not collide with anything when they are opened, and to avoid causing damage to kitchen units.