

FNS 7710 E

Built-in freezer

with NoFrost and 8 freezer drawers for max. convenience.



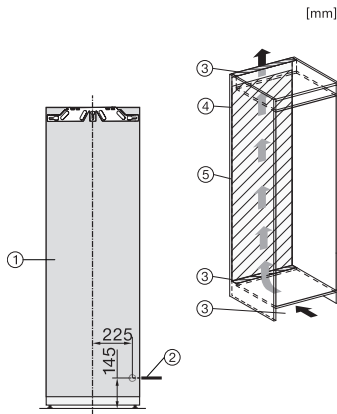
- No icing up of food and no need to defrost thanks to NoFrost
- Food is frozen quickly and gently – SuperFreeze
- Flexible increase in freezer volume – VarioRoom



EAN: 4002516797517 / Material number: 12565320 / Old Material Number: 37771000GB

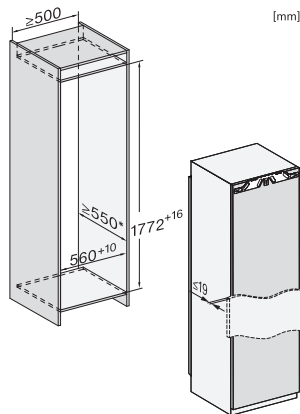
Appliance category	
Freezer	•
Construction type	
Door hinge	Left
Convertible door hinging	•
Control system	
Independent temperature regulation of fridge and freezer zones	No
Efficiency and sustainability	
Energy efficiency class (A–G)	E
Annual energy consumption in kWh	237.25
Energy consumption in 24 h in kWh	0.64
Technical data	
Niche width in mm min.	560
Niche width in mm max.	570
Niche height in mm min.	1772
Niche height in mm max.	1788
Niche depth in mm	550
Appliance width in mm	559
Appliance height in mm	1770
Appliance depth in mm	546
Weight in kg	69.8
Door hinge technology	Fixed door
Max. door front weight – refrigerator, in kg	26
Climate class	SN-T
4* freezer compartment in l	213
Total usable capacity in l	213
Storage time in case of fault in h	9
Freezer capacity in kg/24 h	12.00
Acoustic airborne noise emission class (A–D)	B
Sound emissions in dB(A) re 1 pW	33
Current consumption (mA)	1300
Voltage in V	220-240
Fuse rating in A	10
Number of phases	1
Frequency in Hz	50-60
Length of supply lead in m	2.2
Replacing lamps	Service

FNS 7710 E
 Built-in freezer
 with NoFrost and 8 freezer drawers for max. convenience.



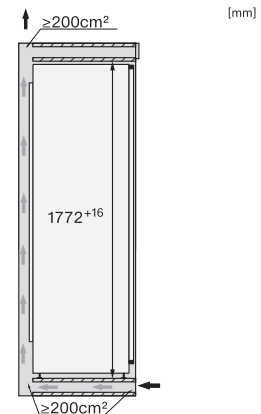
K7733E, K7763E, K7732E, K7734F, K7764E, K7743E, K7744E, K7773D, K7774D (footnote*) (installation drawings)

*1. View from the front, 2. Mains connection cable, L = 2100 mm, 3. Ventilation cut-out min. 200 cm², 4. Ventilation, 5. No connections permitted in this area



K7733E, K7763E, K7732D, K7732E, K7734F, K7764E, K7743E, K7744E, K7773D, K7774D, built-in (footnote*) (drawings)

*The declared energy consumption was calculated in a 560 mm deep niche. The appliance is fully functional in a 550 mm niche but the energy consumption will be slightly higher.



K7733E, K7763E, K7732E, K7734F, K7764E, K7743E, K7744E, K7773D, K7774D, side view (installation drawings)