

Double DishDrawer™ Dishwasher, Sanitise

Series 9 | Contemporary

Black Stainless Steel

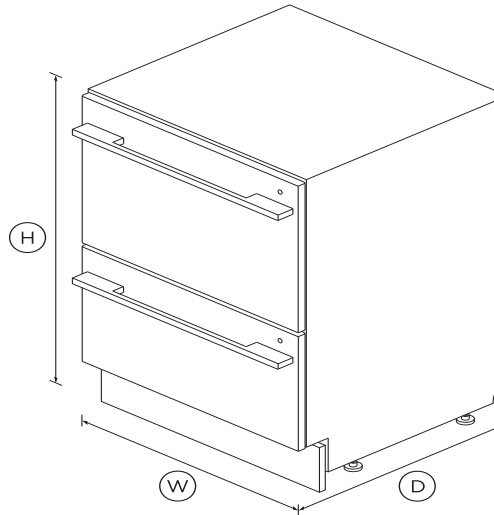


Wash one drawer while you load the other, with minimal bending. Or wash both at once, with room in each drawer for full size dinner plates.

- Six wash programs, as well as additional Quick wash, Sanitise and Extra Dry options
- Black stainless steel finish with black anodised aluminium handle and buttons
- Flexible racking allows you to customise internal shelves to suit your needs
- Pairs beautifully with our Black French Door Refrigerator

DIMENSIONS

Height	820 - 880mm
Width	599mm
Depth	573mm



FEATURES & BENEFITS

EASE OF USE

DishDrawer™ Dishwashers are as easy to open and close as kitchen drawers, making loading dishes simple. Flexible racking allows you to make adjustments to fit in a variety of dishes.

BEAUTY OF CHOICE

As much a high performance appliance as a design component, the black DishDrawer™ Dishwasher brings a touch of sophistication to your kitchen, on its own or part of a matching

kitchen appliance set.

INDEPENDENT WASHING

With the ability to use both drawers independently and select different wash programs, the DishDrawer™ Dishwasher can wash everything from fine glass and crystal to heavily soiled pots and pans.

TRUE HALF LOAD

Each drawer holds a true half load for small, fast dish washing that won't waste water. Both drawers operate independently so two wash cycles can operate simultaneously to allow for varying loads.

QUIET PERFORMER

The DishDrawer™ Dishwasher does its job without making a fuss - running at a very low decibel rating, they produce little in the way of noise.

MULTIPLE WASH TYPES

Wash modifiers allow specialised cycle settings. Quick delivers faster with no performance reduction, Sanitise provides extra protection from bacteria, and Extra Dry is perfect for plastic dishes.

SPECIFICATIONS

Accessories

- Cutlery basket
- Knife clip and multipurpose

Capacity and loading

Accommodates round plates	280mm
Adjustable height, foldable	•
Fold down tines	•
Pitch adjustable tines	•
Place settings	12

Place settings per drawer **6**

Consumption

Energy rating **E**

Energy usage **54kWh/100 cycles**

Water usage (per wash cycle) **7.8L**

Controls

- Child lock •
- Electronic fault/Diagnostic •
- End of cycle beeps •
- Energy saving delay start •
- Internal wash selector •
- Rinse aid indicator light •
- Wi-Fi connectivity •

Features

- Built-in water softener •
- Fan assisted drying •
- Flood protection •
- Flow through detergent •
- Quiet operation •
- SmartDrive™ technology •

Performance

Noise on standard cycle top **42dBA**

Quiet mark certified •

Power requirements

Amperage **10A**

Supply frequency **50Hz**

Supply voltage **220 - 240V**

Product dimensions

Depth **573mm**

Height **820 - 880mm**

Width **599mm**

Warranty

Parts and labour **5 years**

Wash Program Modifiers

- Extra Dry •
- Quick •
- Sanitise •
- Wash modifiers **3**

Wash Programs

- Delicate •
- Eco •
- Fast •
- Heavy •
- Medium •
- Rinse •
- Wash programs **6**

Water connection

Water pressure **100kPa - 1000kPa**

Water supply **3/4" BSP (20mm) Connector**

SKU **82363**

The product dimensions and specifications in this page apply to the specific product and model. Under our policy of continuous improvement, these dimensions and specifications may change at any time. You should therefore check with Fisher & Paykel's Customer Care Centre to ensure this page correctly describes the model currently available. ? Fisher & Paykel Appliances Ltd 2020



A PEACE OF MIND SALE

24 Hours 7 Days a Week Customer Support

T 08000 886 605 W www.fisherpaykel.com