

# FISHER & PAYKEL

## SPECIFICATION GUIDE

## DOUBLE DISHDRAWER™ DISHWASHER SERIES 7, CONTEMPORARY STYLE



### OVERVIEW

Wash one drawer while you load the other, with minimal bending. Or wash both at once, with room in each drawer for full size dinner plates.

### MODELS

**Double DishDrawer™ Dishwasher, Sanitise**  
Stainless Steel  
DD60DCX9

**Double DishDrawer™ Dishwasher, Sanitise**  
Stainless Steel  
DD60DCHX9

**Double DishDrawer™ Dishwasher, Sanitise**  
White  
DD60DCW9

### SERIES & STYLE

Series 7  
Contemporary Style

### FEATURES

- ① DishDrawer™ Dishwashers are designed to match the Fisher & Paykel family of kitchen appliances
- ② Six wash programs, from delicate to heavy to suit any load
- ③ Quick, Sanitise and Extra Dry provide extra wash options
- ④ Flexible racking can be folded down to fit bigger dishes
- ⑤ Each drawer fits a half load that you can load and wash independently

### ACCESORIES

- ① Kickstrip
- ② Two cutlery basket
- ③ Knife clip and multipurpose clip

# FISHER & PAYKEL

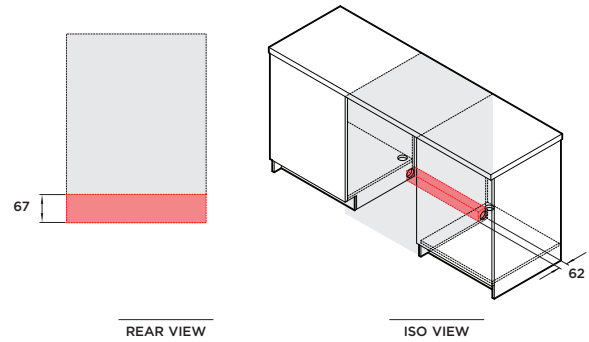
## SPECIFICATION GUIDE

## DOUBLE DISHDRAWER™ DISHWASHER SERIES 7, CONTEMPORARY STYLE

### SPECIFICATIONS

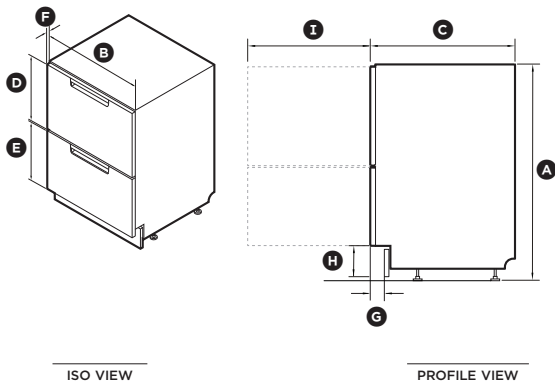
Model No.	DD60DCX9, DD60DCHX9, DD60DCW9
Dimensions	H 820 - 880mm x W 599mm x D 573mm
Weight	51kg
Electrical	
Supply	220-240V, 50Hz
Service	8.2A
Receptacle	3 pin earthing-type
Plumbing	
Supply	3/4" BSP (GB20) to suit flat washer.
Pressure	Water softener models: max. 1 MPa (145 psi), min. 0.1 MPa (14.5 psi) Non-water softener models: max. 1 MPa (145 psi), min. 0.03 MPa (4.3 psi)

### PLUMBING AND ELECTRICAL

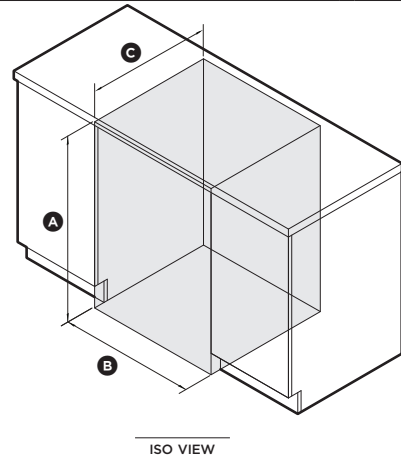


Service outlet at rear extends both sides, hoses and cords can be routed to either or both sides

### PRODUCT DIMENSIONS



### CAVITY DIMENSIONS: STANDARD INSTALLATION



	mm
Ⓐ Overall height*	820 - 880
Ⓑ Overall width	599
Ⓒ Overall depth	573
Ⓓ Height of upper front panel	393
Ⓔ Height of lower front panel	312
Ⓕ Depth of front panels	20
Ⓖ Depth of toe kick recess	38 - 54
Ⓗ Height from floor to front panel base*	100 - 160
Ⓘ Depth of open drawer	547

\*Depending on adjustment of levelling feet

	mm
Ⓐ Overall height*	min 820
Ⓑ Overall width	600
Ⓒ Overall depth**	580

\*Depending on adjustment of levelling feet  
\*\*Includes front panels