

N 70, WALL-MOUNTED COOKER HOOD, 90 CM,
STAINLESS STEEL
D95BMP5N0B



A



Optional accessories

Z50XP0X0 Long Life odor filter (replacement), Z5102X1 Standard odor filter (replacement), Z5102X5 Standard recirculation kit, Z51CB12X4 Clean Air Standard recirculation kit, Z51CXC2N6 Clean Air Plus recirc. kit external, Z51CX11X6 Clean Air Plus recirculation kit, Z51FXD2N1 Long Life recirculation kit external, Z51FXJ0X5 Long Life recirculation kit, Z53CBB2X4 Clean Air Standard odor filter (repl.), Z53XXB1X6 Clean Air Plus odor filter (replacement), Z5861N0 Back panel stainless steel, Z5895N0 Stainless steel back panel 900 mm, Z5906N1 Chimney extension 1000 mm, Z5916N1 Chimney extension 1500 mm

The coordinating and stylish Neff box hood is modern in design and keeps up with your cooking.

- ✓ Special Noise Insulation – For a quiet cooking area.
- ✓ Efficient Drive Motor – Quiet and energy-efficient hood motor for a calmer kitchen.
- ✓ TouchControl: thanks to the integrated flat surface of the control panel, adjustments can be easily made with just one finger
- ✓ Intensive speed setting: increases the extraction rate when the steam gets intense
- ✓ Dimmer Function – easily dim the light according to your mood with the touch of a button

Features

Technical Data

Typology:	Wall-mounted
Length of electrical supply cord:	130.0 cm
Height of the chimney:	582-908/568-1018 mm
Height of the appliance:	46 mm
Minimum distance above an electric hob:	550 mm
Minimum distance above a gas hob:	650 mm
Net weight:	19.7 kg
Type of control:	Electronic
Number of speed settings:	3-stage + 2 intensive
Maximum output air extraction:	427 m ³ /h
Boost position output recirculating:	442 m ³ /h
Maximum output recirculating air:	343 m ³ /h
Boost position air extraction:	702 m ³ /h
Number of lights (Stck):	3
Noise level:	55 dB(A) re 1 pW
Diameter of air outlet:	120 / 150 mm
Grease filter material:	Washable stainless steel
EAN code:	4242004234913
Connection rating:	145 W
Fuse protection:	10 A
Voltage:	220-240 V
Frequency:	50; 60 Hz
Plug type:	GB plug
Installation type:	Wall-mounted
Delay Shut off modes:	10 min



N 70, WALL-MOUNTED COOKER HOOD, 90 CM,
STAINLESS STEEL
D95BMP5NOB

Features

Key performance features:

- Energy Efficiency Class: A (at a range of energy efficiency classes from A+++ to D)
- Extraction rate exhaust air according to EN 61591:
- max. normal use 427 m³/h, intensive 702 m³/h
- Noise max. Normal Level: Noise, max. speed in normal us: 55 dB dB*

Features

- Stainless steel
- Electronic controls
- Touch control
- Interval operation
- Noise reduction function
- Efficient BLDC technology
- 3 power levels and 2 intensive settings
- Automatic intensive revert (6mins)
- SoftLight with dimmer function
- 3 x 1,5W LED
- Automatic after running (Automatic after running (10 minutes))
- Saturation indicator for metal and charcoal filter
- 3 metal grease filter cassettes
- Steel filter cover
- Installation system: Chimney hood wall fixing syst.

Design

- 90 cm wide
- Chimney hood
- Installation: wall
- easy to clean Inner frame

Performance/technical information

- Suitable for ducted extraction and recirculation
- For recirculated extraction recirculating kit or CleanAir recirculating kit (accessory) needed
- Extraction rate according to EN 61591 ø 15 cm:
- max. Normal use 427m³/h
- Intensive 702 m³/h
- Maximum extraction rate exhaust air 427 m³/h according to EN 61591
- Noise level according to EN 60704-3 and EN 60704-2-13 at max. normal use exhaust air: 55 dB(A) re 1 pW
- Noise level according to EN 60704-3 and EN 60704-2-13 exhaust air:
- Max. normal use: 55dB(A) re 1 pW
- Intensive: 66 dB(A) re 1 pW
- With the Clean Air Plus recirculation kit (available as optional accessory) your appliances reaches:
- Extraction rate in recirculation mode: Max. normal use: 343m³/h
- Intensive: 442m³/h
- Noise level in recirculation mode: Max. normal use: 66dB(A) re 1 pW

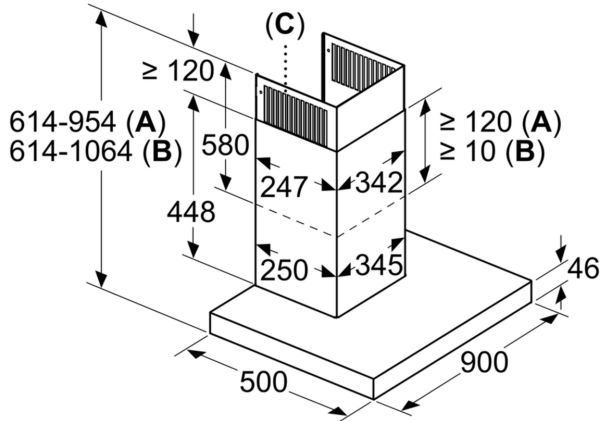
- Intensive: 70 dB(A) re 1 pW
- Power rating: 145 W
- Light Intensity: 359 lux
- Colour Temperature: 3500 K
- Average Energy Consumption: 33.8 kWh/year*
- Blower Efficiency Class: A*
- Lighting Efficiency Class: A*
- Grease Filtering Efficiency Class: B*
- Electrical cable length 1.3 m
- Dimensions recirculating with CleanAir module (HxWxD):
- 689 x 898 x 500mm - mounting with outer chimney
- 795-1139 x 898 x 500 mm - mounting with telescopic chimney
- Additional noise insulation
- Diameter pipe Ø 150 mm (Ø 120 mm enclosed)
- Max. extraction rate: 702 m³/h
- Dimensions exhaust air (HxWxD): 614-954 x 898 x 500 mm
- Dimensions recirculating (HxWxD): 614-1064 x 898 x 500 mm

* In accordance with the EU-Regulation No 65/2014

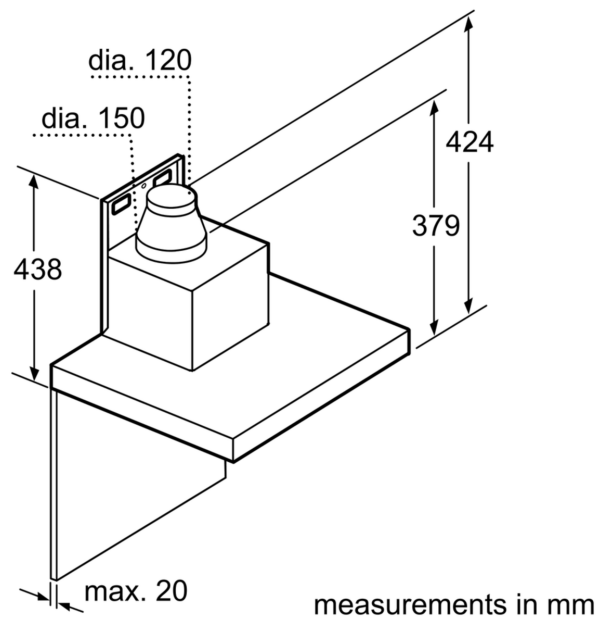
N 70, WALL-MOUNTED COOKER HOOD, 90 CM,
STAINLESS STEEL
D95BMP5NOB

Dimensioned drawings

measurements in mm

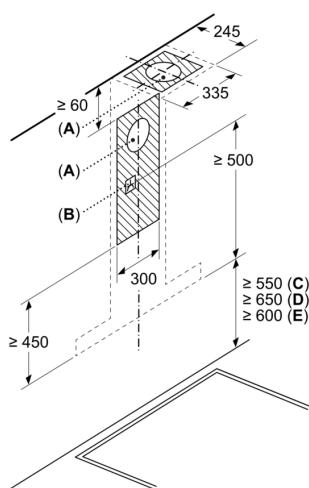


- A:** Air extraction
- B:** Air recirculation
- C:** Air outlet – slots for exhaust air to be mounted facing down



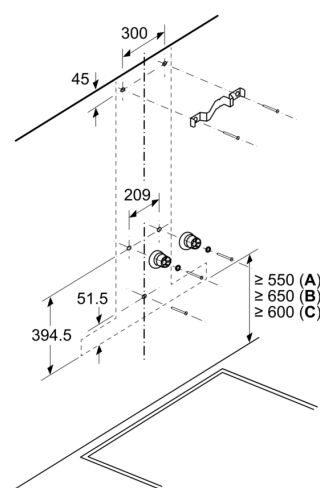
measurements in mm

Measurements in mm



- A:** Exhaust air outlet
- B:** Socket
- C:** Electric
- D:** Gas - from upper edge of pan support
- E:** Electric - for Australia and New Zealand

Measurements in mm



- A:** Electric
- B:** Gas - from upper edge of pan support
- C:** Electric - for Australia and New Zealand