

N 30, WALL-MOUNTED COOKER HOOD, 60 CM,
BLACK
D651EE1SOB



B

- ✓ Intensive speed setting: increases the extraction rate when the steam gets intense
- ✓ LED Lighting – Clear illumination while you cook.
- ✓ Reduced Noise: the low-noise motor makes it possible to listen to your own kitchen story

Features

Technical Data

Typology:	Wall-mounted
Length of electrical supply cord:	130.0 cm
Height of the chimney:	484-770/554-830 mm
Height of the appliance:	296 mm
Minimum distance above an electric hob:	450 mm
Minimum distance above a gas hob:	650 mm
Net weight:	14.1 kg
Type of control:	Electronic
Maximum output air extraction:	399 m ³ /h
Boost position output recirculating:	474 m ³ /h
Maximum output recirculating air:	349 m ³ /h
Boost position air extraction:	669 m ³ /h
Number of lights (Stck):	2
Noise level:	60 dB(A) re 1 pW
Diameter of air outlet:	120 / 150 mm
Grease filter material:	Washable aluminium
EAN code:	4242004247166
Connection rating:	255 W
Fuse protection:	10 A
Voltage:	220-240 V
Frequency:	50; 60 Hz
Plug type:	GB plug
Installation type:	Wall-mounted



Optional accessories

Z51FXC1N6	Clean Air Plus recirc. kit external
Z51FXD1N1	Long Life recirculation kit external
Z51FXJ0X0	Long Life recirculation kit
Z53XXB1X6	Clean Air Plus odor filter (replacement)
Z5860N0	Back panel stainless steel
Z5865N0	Stainless steel back panel 600 mm
Z50XXP0X0	Long Life odor filter (replacement)
Z5138X1	Standard odor filter (replacement)
Z51DXI1X6	Clean Air Plus recirculation kit
Z51EIU1X1	Standard recirculation kit
Z5905N0	Chimney extension 1000 mm
Z5915N0	Chimney extension 1500 mm

N 30, WALL-MOUNTED COOKER HOOD, 60 CM,
BLACK
D651EE1SOB

Features

Key performance features:

- Energy Efficiency Class: B (at a range of energy efficiency classes from A+++ to D)
- Extraction rate according to EN 61591 \varnothing 15 cm:
- max. Normal use 399m³/h
- Intensive 669 m³/h
- Noise max. Normal Level: Noise, max. speed in normal us: 60 dB dB*

- Blower Efficiency Class: B*
- Lighting Efficiency Class: A*
- Grease Filtering Efficiency Class: C*
- Average Energy Consumption: 59.4 kWh/year*

* In accordance with the EU-Regulation No 65/2014

Features

- Soft touch control
- 3 speeds plus intensive
- 2 x 1.5w LED Light
- Colour Temperature: 3500 K
- Automatic intensive revert (6mins)
- 2 metal grease filter cassettes
- Installation: wall
- Rim ventilation

Design

- Chimney hood
- Electronic controls

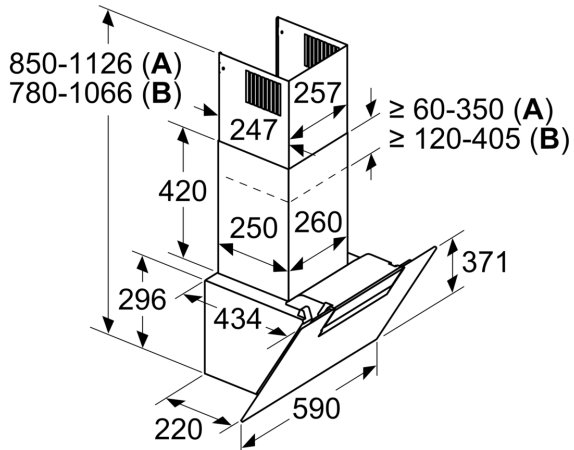
Performance/technical information

- Suitable for ducted extraction and recirculation
- For recirculated extraction recirculating kit or CleanAir recirculating kit (accessory) needed
- Extraction rate according to EN 61591 max. 669 m³/h
- Noise level according to EN 60704-3 and EN 60704-2-13 at maximum normal setting: extraction rate: 60 dB (A) re 1pW
- Noise level according to EN 60704-3 and EN 60704-2-13 at max. normal use exhaust air: 60 dB(A) re 1 pW
- Noise level according to EN 60704-3 and EN 60704-2-13 exhaust air:
- Max. normal use: 60dB(A) re 1 pW
- Intensive: 69 dB(A) re 1 pW
- With the Clean Air Plus recirculation kit (available as optional accessory) your appliances reaches:
- Extraction rate in recirculation mode: Max. normal use: 349m³/h
- Intensive: 474m³/h
- Noise level in recirculation mode: Max. normal use: 69dB(A) re 1 pW
- Intensive: 76 dB(A) re 1 pW
- Power rating: 255 W
- Light Intensity: 130 lux
- Electrical cable length 1.3 m
- Diameter pipe \varnothing 150 mm (\varnothing 120 mm enclosed)
- Dimensions exhaust air (HxWxD): 780-1066 x 600 x 434 mm
- Dimensions recirculating (HxWxD): 850-1126 x 600 x 434 mm
- Dimensions recirculating with CleanAir module (HxWxD):
- 956 x 600 x 434mm - mounting with outer chimney
- 1016-1306 x 600 x 434 mm - mounting with telescopic chimney

N 30, WALL-MOUNTED COOKER HOOD, 60 CM,
BLACK
D651EE1SOB

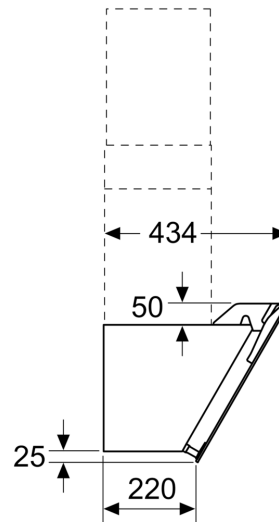
Dimensioned drawings

measurements in mm

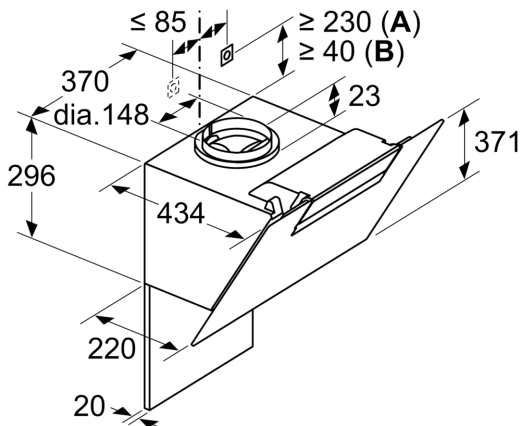


A: Circulated air
B: Exhaust air - slots to be mounted facing down

measurements in mm



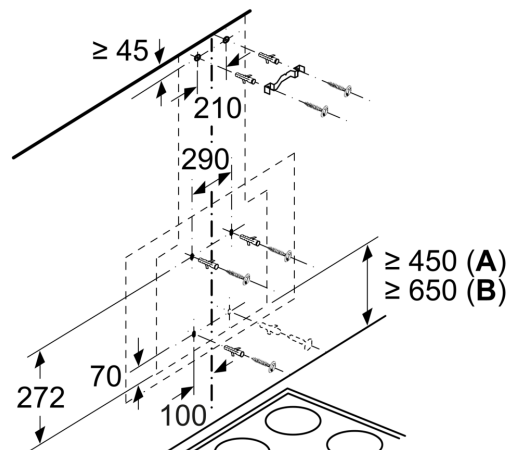
measurements in mm



A: Integrated Clean Air
B: Exhaust air or standard circulated air set

Note the maximum thickness of the back panel.

Measurements in mm



From upper edge of pan support

A: Electric
B: Gas

Dimensioned drawings

