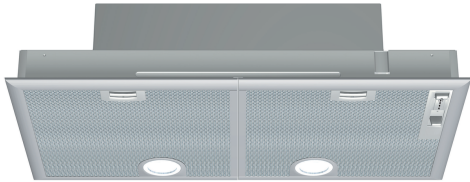


N 30, CANOPY COOKER HOOD, 75 CM, SILVER  
METALLIC  
D5855X1GB



Optional accessories

Z5155X0	Standard odor filter
Z5552X0	Installation kit for canopy

Canopy hood: designed to fit neatly under an overhead unit or cabinet. They're discreet and effectively use valuable space.

- ✓ Intensive speed setting: increases the extraction rate when the steam gets intense
- ✓ LED Lighting – Clear illumination while you cook.
- ✓ High extraction rate - for continuously clean air in the kitchen.
- ✓ Reduced Noise: the low-noise motor makes it possible to listen to your own kitchen story

Features

Technical Data

Typology:	Built-in/Built-under
Length of electrical supply cord:	130.0 cm
Min. required niche size for installation (HxWxD):	255mm x 700.0mm x 350mm mm
Minimum distance above an electric hob:	650 mm
Minimum distance above a gas hob:	650 mm
Net weight:	9.3 kg
Type of control:	mechanical
Maximum output air extraction:	379 m <sup>3</sup> /h
Boost position output recirculating:	408.0 m <sup>3</sup> /h
Maximum output recirculating air:	278 m <sup>3</sup> /h
Boost position air extraction:	638 m <sup>3</sup> /h
Number of lights (Stck):	2
Noise level:	56 dB(A) re 1 pW
Diameter of air outlet:	120 / 150 mm
Grease filter material:	Washable aluminium
EAN code:	4242004237150
Connection rating:	206 W
Voltage:	220-230 V
Frequency:	50 Hz
Plug type:	GB plug
Installation type:	Built-in



N 30, CANOPY COOKER HOOD, 75 CM, SILVER  
METALLIC  
D5855X1GB

## Features

### Key performance features:

- Energy Efficiency Class: C (at a range of energy efficiency classes from A+++ to D)
- Extraction rate according to EN 61591 ø 15 cm:
- max. Normal use 379 m<sup>3</sup>/h
- Intensive 638 m<sup>3</sup>/h
- Noise max. Normal Level: Noise, max. speed in normal us: 56 dB dB\*

### Features

- Slide control operation
- 3 speeds plus intensive
- 2 x LED spot 2.15W (low volt)
- Colour Temperature: 3500 K
- 2 metal grease filter cassettes

### Design

- For installation in a chimney or unit, above a hob
- Canopy hood
- Mechanical controls

### Performance/technical information

- Suitable for ducted extraction and recirculation
- For recirculated extraction charcoal filter (accessory) needed
- Max. extraction rate: 638 m<sup>3</sup>/h
- Noise level according to EN 60704-3 and EN 60704-2-13 exhaust air:
- Max. normal use: 56 dB(A) re 1 pW
- Intensive: 68 dB(A) re 1 pW
- Power rating: 206 W
- Light Intensity: 410 lux
- Electrical cable length 1.3 m
- Diameter pipe ø 150 mm (ø 120 mm enclosed)
- Dimensions exhaust air (HxWxD): 255-255 x 730 x 380 mm
- Dimensions recirculating (HxWxD): 255-255 x 730 x 380 mm
- Blower Efficiency Class: D\*
- Lighting Efficiency Class: A\*
- Grease Filtering Efficiency Class: B\*
- Average Energy Consumption: 81.2 kWh/year\*

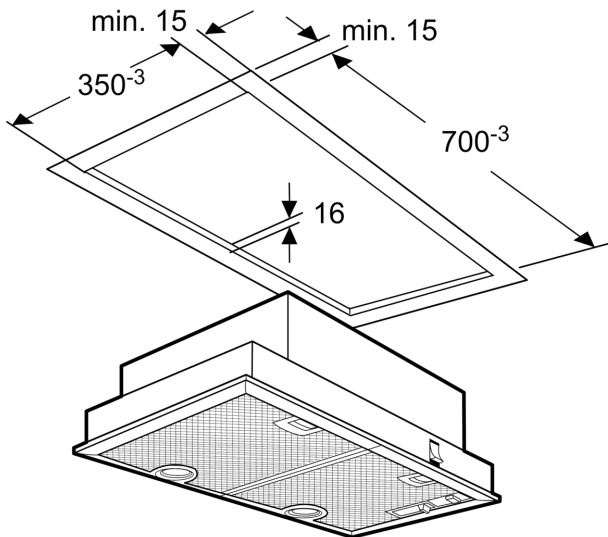
### Optional accessories

- Recirculating kit Z5155X0

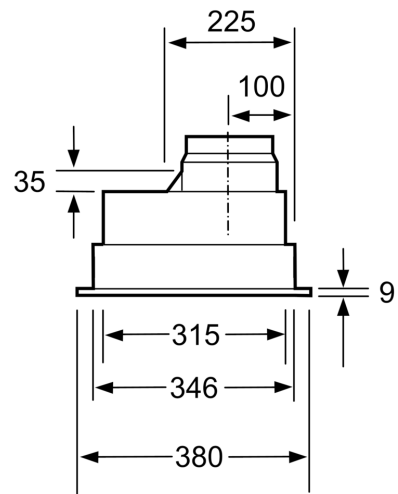
\* In accordance with the EU-Regulation No 65/2014

N 30, CANOPY COOKER HOOD, 75 CM, SILVER  
METALLIC  
D5855X1GB

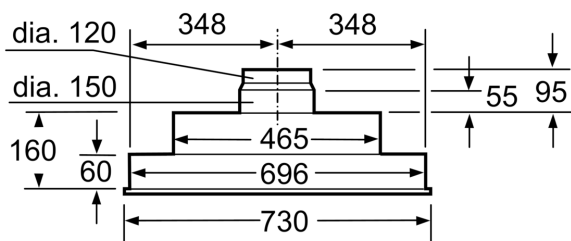
## Dimensioned drawings



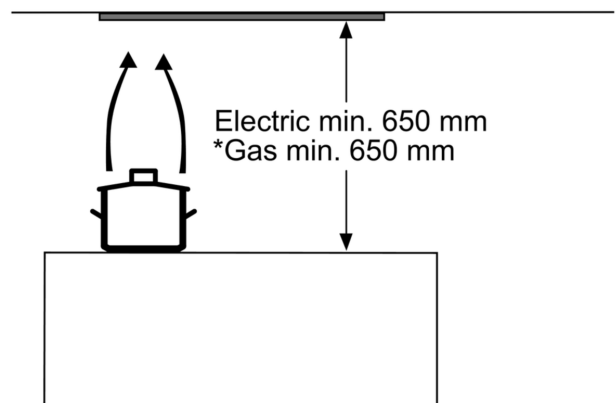
measurements in mm



measurements in mm



measurements in mm



\* from upper edge of pan support

measurements in mm