

N 90, Built-in compact oven, 60 x 45 cm, Stainless steel
C27CS22H0B



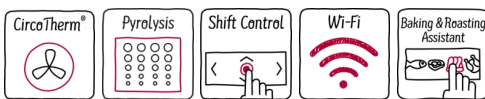
COOKING PASSION SINCE 1877



Compact built-in oven with CircoTherm® - Neff's award-winning hot air system

- ✓ CircoTherm® – Smart hot-air solution that lets you bake on up to four levels.
- ✓ Dual cleaning options: Pyrolytic cleaning programmes - just let the oven interior clean itself. EasyClean - the quick and easy option for day to day maintenance.
- ✓ Shift Control - fast navigation through menus and simple operation with the TFT display.
- ✓ Home Connect – Unleash your creativity via app.
- ✓ Baking and Roasting Assistant - your helper in the kitchen for ideal cooking times, temperatures, and modes for many dishes at your fingertips

A+



Features

Technical Data

Color / Material Front : Stainless steel
 Construction type : Built-in
 Integrated Cleaning system : Pyrolytic+Hydrolytic
 Min. required niche size for installation (HxWxD) : 450-455 x 560-568 x 550 mm
 Dimensions : 455 x 596 x 548 mm
 Dimensions of the packed product (HxWxD) : 520 x 690 x 650 mm
 Control Panel Material : Glass
 Door Material : Glass
 Net weight : 31.2 kg
 Usable volume of cavity : 47 l
 Cooking method : , 4D Hotair, Bottom heat, Bread Baking Setting, Conventional heat, Defrost, Dough proving, Full width grill, Half width grill, Hot Air-Eco, Hot air grilling, low temperature cooking, Pizza setting
 Oven control : electronic
 Number of interior lights : 1
 Length of electrical supply cord : 150.0 cm
 EAN code : 4242004236511
 Number of cavities (2010/30/EC) : 1
 Energy efficiency rating : A+
 Energy consumption per cycle conventional (2010/30/EC) : 0.73 kWh/cycle
 Energy consumption per cycle forced air convection (2010/30/EC) : 0.61 kWh/cycle
 Energy efficiency index (2010/30/EC) : 81.3 %
 Connection rating : 2990 W
 Fuse protection : 13 A
 Voltage : 220-240 V
 Frequency : 50; 60 Hz
 Plug type : no plug (electrical connection by electrician)
 Included accessories : 1 x combination grid, 1 x universal pan

Optional accessories

- Z11AB15A0 Baking tray, non-stick ceramic coated
- Z11CR10X0 Baking and roasting grid (standard)
- Z11SZ00X0 SeamlessCombination mounting kit
- Z11SZ60X0 SeamlessCombination 45 + 14cm
- Z11SZ90X0 SeamlessCombination 60 + 45cm
- Z12CB10A0 Baking tray, anthracite enamelled
- Z12CM10A0 Moussaka pan, anthracite enamelled
- Z13CV06S0 Decor strip



4 242004 236511

N 90, Built-in compact oven, 60 x 45 cm, Stainless steel
C27CS22H0B



COOKING PASSION SINCE 1877

Features

Design

- 4.1" TFT colour and graphics display with ShiftControl
- Cavity inner surface: enamel anthracite
- Drop down door, SoftClose, soft opening
- Illuminated Shift Control
- Bar handle
- We recommend you to choose complementary products within N90, in order to assure an optimal design combination of your Built-In appliances.

Features

- HomeConnect ready on WLAN
- Door lock during pyrolytic cleaning
- Control panel lock
- Automatic safety switch off
- Residual heat indicator
- Start button
- Door contact switch
- Temperature proposal
- Actual temperature display
- Heating up indicator
- Baking and roasting assistant
- Interior halogen light, On/off button
- Cooling fan
- Electronic clock timer
- 3 shelf positions

Cleaning

- Pyrolytic cleaning
- EasyClean
- Full glass inner door

Programmes/functions

- Compact oven with 13 main functions heating methods: CircoTherm®, CircoTherm® Gentle, Top/bottom heat, Conventional heat Gentle, Circo-roasting, Full surface grill, Centre surface grill, CircoTherm® intensive, Bread baking, Bottom heat, Low temperature cooking, Defrost, Dough proving
- Rapid heat

Accessories

- 1 x combination grid, 1 x universal pan

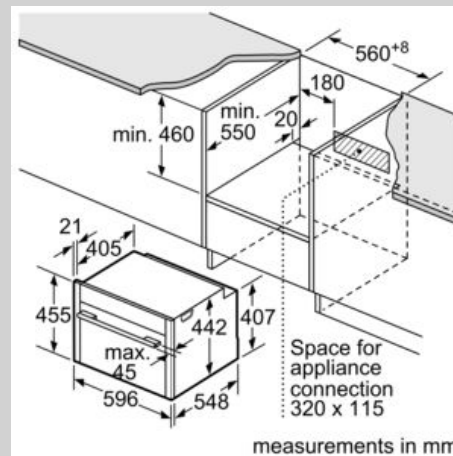
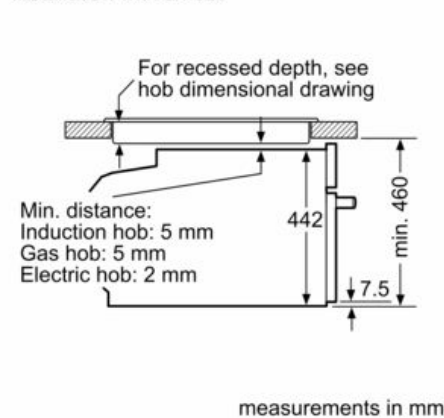
Performance/technical information

- Energy efficiency rating (acc. EU Nr. 65/2014): A+
- Energy consumption per cycle in conventional mode: 0.73 kWh
- Energy consumption per cycle in fan-forced convection mode: 0.61 kWh
- Number of cavities: Main cavity
- Heat source: electrical
- Cavity volume: 47 litre
- Temperature range 40 °C - 200 °C
- Power cord length 150 cm Cable length
- Total connected load electric: 2.99 KW
- Nominal voltage: 220 - 240 V
- Appliance dimension (hxwxh): 455 mm x 596 mm x 548 mm
- Niche dimension (hxwxh): 450 mm - 455 mm x 560 mm - 568 mm x 550 mm
- Please refer to the dimensions provided in the installation manual

N 90, Built-in compact oven, 60 x 45 cm, Stainless steel
C27CS22H0B

Dimensioned drawings

Installation with a hob.



If the compact appliance will be installed underneath a hob, the following worktop thicknesses (including substructure if necessary) must be taken into account.

Hob type	min. worktop thickness	
	fitted	flush
Induction hob	42 mm	43 mm
Full surface Induction hob	52 mm	53 mm
Gas hob	32 mm	43 mm
Electric hob	32 mm	35 mm

